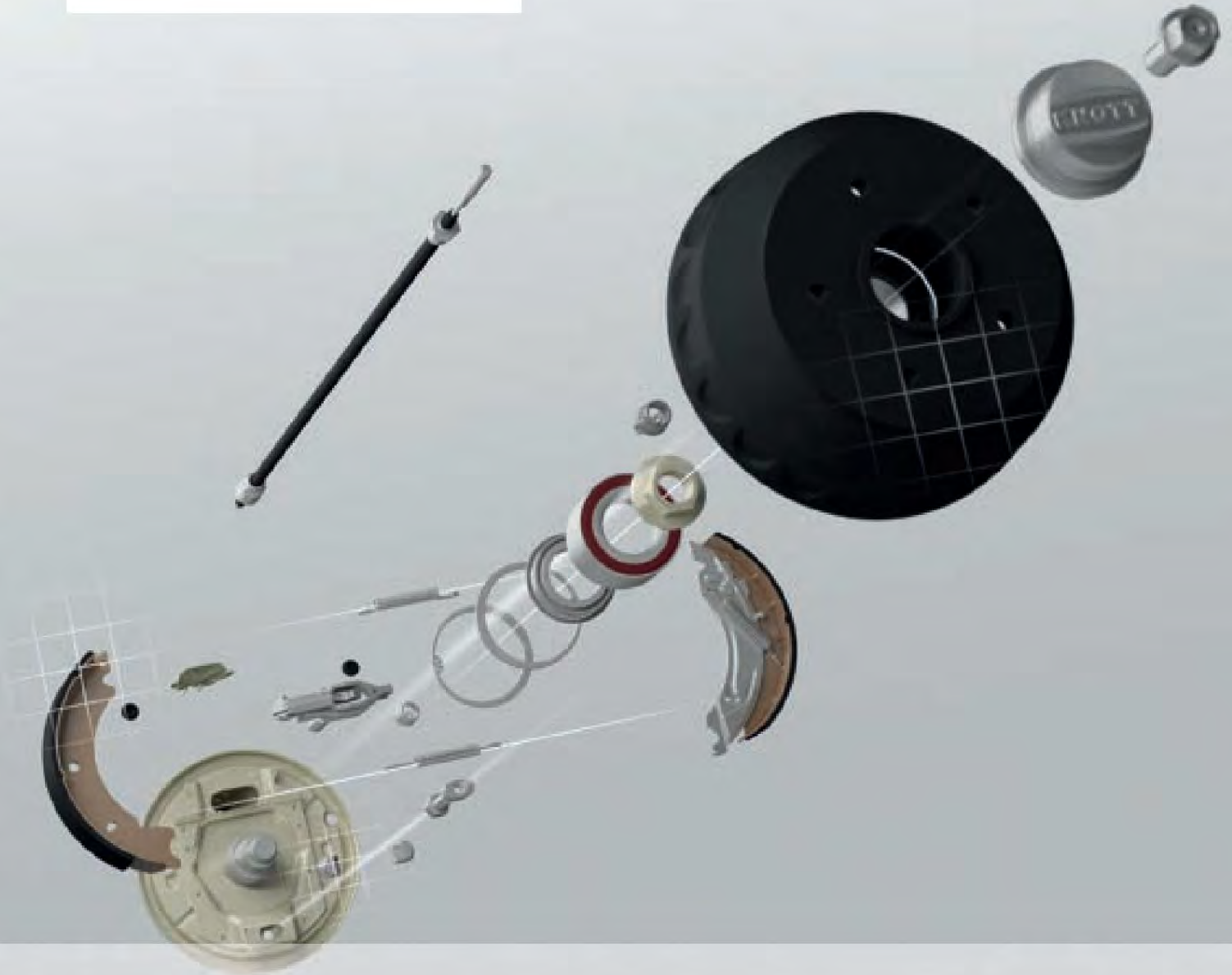


spare parts

FOR TRAILERS



Arrive safely



**Dear customers,**

Your **KNOTT** Team

For components, spare parts and accessories for trailers

Items that are always in stock.

With an independent quality assurance system, we guarantee you an exceptionally high, recognized quality standard.

Our competent team will not only help you with technical problems but also advise you on

The perfect solution for you!

Each item will be delivered directly to you via parcel service, freight forwarding or express delivery. You can of course also pick up the goods yourself from us.

You can easily select any item within

We only charge you for the resulting processing costs.

Of course, you can also easily order online!

**KNOTT GmbH**

REGENSTAUF PLANT RK REGENSTAUF

Gutenbergstrasse 21 gstrasse 21  
93128 Regenstauf  
Germany



0049 (0)9402/9317-0 049 (0)9402/9317-0

0049 (0)9402/9317-20 049 (0)9402/9317-20

info@knott.de fo@knott.de

www.knott.de

Wheel brake -Type	Size	Version - Type	Page
16-1369/1	160x35 Spr.	Tapered roller Bearings	10
16-1369/1	160x35 Spr.	Angular Compact Bearings	11
16-1365	160x35 Spr. B.	Tapered roller Bearings	12
16-1365	160x35 Spr. B.	Angular Compact Bearings	13
20-965/1	200x30 Spr.	Tapered roller Bearings	14
20-963/1	200x30 Spr. B.	Tapered roller Bearings	15
20-4320	200x35 Spr. B.	Angular Compact Bearings	16
20-4320	200x35 Spr. B.	Angular Compact Bearings ANS	17
20-966/1	200x50 Spr.	Tapered roller Bearings	18
20-964/1	200x50 Spr. B.	Tapered roller Bearings	19
20-2426/1	200x50 Spr.	Angular Compact Bearings	20
20-2425/1	200x50 Spr. B.	Angular Compact Bearings	21
20-2425/1	200x50 Spr. B.	Angular Compact Bearings ANS	22
20-2711	200x50 Hydr. Si.	Angular Compact Bearings	23
20-2710	200x50 Hydr. B.	Angular Compact Bearings	24
20,32-1647	203,2x40 Spr. B.	Tapered roller Bearings	25
25-2026	250x40 Spr.	Angular Compact Bearings	26
25-2026	250x40 Spr.	Angular Compact Bearings ANS	27
25-2025	250x40 Spr. B.	Tapered roller Bearings	28
25-2025	250x40 Spr. B.	Angular Compact Bearings	29
25-2025	250x40 Spr. B.	Angular Compact Bearings ANS	30
25-4300	250x40 Hydr. Si.	Angular Compact Bearings	31
25-4303	250x40 Hydr. Si.	Angular Compact Bearings ANS	32
25-4303	250x40 Hydr. Si.	Angular Compact Bearings ANS/ABS	33
25-4066	250x40 Hydr. B.	Angular Compact Bearings	34
25-4316	250x50 Spr. B.	Angular Compact Bearings	35
25-4316	250x50 Spr. B.	Angular Compact Bearings ANS	36
25-4316	250x50 Spr. B.	Compact Tapered roller Bearings	37
25-4316	250x50 Spr. B.	Compact Tapered roller Bearings ANS	38

Wheel	Brake	Size	Version-Type	Page
25,5-4311		255x55 S-Cam	Tapered roller BearingsANS	39
25,5-4311		255x55 S-Cam	Tapered roller Bearings ANS/ABS	40
30-2355		300x60 Spr.	Tapered roller Bearings	41
30-2355		300x60 Spr.	Angular Compact Bearings	42
30-2261		300x60 Spr. B.	Tapered roller Bearings	43
30-2261		300x60 Spr. B.	Angular Compact Bearings	44
30-3922		300x60 Hydr.	Tapered roller Bearings	45
30-4310		300x60 Hydr. B.	Tapered roller Bearings / Radlast bis 1500 kg46	
30-4310		300x60 Hydr. B.	Tapered roller Bearings / Radlast bis 1750 kg47	
30-4302		300x60 Hydr.	Tapered roller BearingsANS	48
30-4302		300x60 Hydr.	Angular Compact Bearings ANS	49
30-4302		300x60 Hydr.	Tapered roller Bearings ANS/ABS	50
30-3129		300x60 Cam	Tapered roller Bearings	51
30-4305		300x60 Cam	Tapered roller Bearings AGS	52
30-4305		300x60 Cam	Tapered roller Bearings AGS/ABS	53
30-4306		300x60 S-Cam	Tapered roller Bearings AGS	54
30-4306		300x60 S-Cam	Tapered roller Bearings AGS/ABS	55
30-4304		300x80 Spr.	Tapered roller Bearings	56
30-3859		300x80 Spr.Rückm.	Tapered roller Bearings	57
30-4314		300x80 S-Cam	Tapered roller Bearings AGS	58
30-4314		300x80 S-Cam	Tapered roller Bearings AGS/ABS	59
30-1605/1		300x120 Cam	Tapered roller Bearings AGS	60
30-1605/1		300x120 Cam	Tapered roller Bearings AGS/ABS	61
30-4307		300x120 S-Cam	Tapered roller Bearings AGS	62
30-4307		300x120 S-Cam	Tapered roller Bearings AGS/ABS	63
32,5-1082		325x80 Spr.	Tapered roller Bearings	64
32,5-4301		325x80 Hydr.Servo	Tapered roller BearingsANS	65
32,5-4301		325x80 Hydr.Servo	Tapered roller Bearings ANS/ABS,	66
32,5-4317		325x80 Hydr. Si.	Tapered roller Bearings	67

Overrun brake -Type	Version - Type	Page
KF7,5-C	KH	68
KF9	HF	69
KF10-C	KH	70
KF10-C	GF	71
KFL12-A	GF	72
KFL12-A	GFH	73
KFL12-B	GF	74
KFL12-B	GFH	75
KFL12-C	GF	76
KFL12-C	GFH	77
KF13-C	HF	78
KF13-C	KH	79
KF13-C /-E	GF	80
KF13-C /-E	GFH	81
KFL14-A	GF	82
KFL14-A	GFH	83
KFL14-C /-E	GF	84
KF17-C /-E	KH	85
KF17-C /-E	GF	86
KF17-C /-E	GFH	87
KF17-C /-E	HF	88
KF20-A	KH	89
KF20-A	GF	90
KF20-A	GFH	91
KF20-A	HF	92
KF20-A Hydraulic	GF	93
KFL20-A	GFV	94
KFL20-B	GFV	95

Overrun brake -Type	Version - Type	Page
KF27-A1	KH	96
KF27-A1	GF	97
KFL27-A	GFV	98
KF27-B	GF	99
KF27-B	GFH	100
KF30-C	KH	101
KF30-C	GF	102
KF30-E	GF	103
KF30-E	GFH	104
KFGL35-A	GF	105
KFGL35-A	GFH	106
KFGL35-D	GF	107
KFG20-A	KH	108
KFG20-A	GF	109
KFG27-A	KH	110
KFG27-A	GF	111
KFG30-A	KH	112
KFG30-A	GF	113
KFG30-A	GFH	114
KFG30-A Hydraulic	HF	115
KFG35-D	KH	116
KFG35-D	GF	117
KFG35-D	GFH	118
KFG35-D Hydraulic	HF	119
KRV7,5-C	GF	120
KRV7,5-C Cast bearing	GF	121
KRV7,5-C	GFH	122
KRV13-E	GF	123

Overrun brake -Type	Version - Type	Page
KRV13-E Cast Bearing	GF	124
KRV13-E	GFH	125
KRV17-C	GF	126
KRV17-C Cast Bearing	GF	127
KRV17-C	GFH	128
KRV20-A / A1	GF	129
KRV20-A	KH	130
KRV30-B	GF	131
KRV35-A	GF	132
KR7,5-C	KH	133
KR7,5-A	GFH	134
KV13-A4	GF	135
KV13-C2	KH	136
KV13-C2	GF	137
KV13-C2	GFH	138
KV13-C4	KH	139
KV13-C4	GF	140
KR13/82-C	KH	141
KR13/82-C	GF	142
KR13/82-C Cranked	GF	143
KR13/82-C Detachable	GF	144
KV18-C	KH	145
KV18-C	GF	146
KR20-A	KH	147
KR20-A	GF	148
KR20-D8	GF	149
KR20-D	KH	150
KR20-A Detachable / Cranked	GF	151

Overrun brake -Type	Version - Type	Page
KR20-A Detachable	GF	152
KR20-A Cranked	GF	153
KR30-A / B	GF	154
KR30-A / B Detachable	GF	155
KR30-A / B Cranked	GF	156
KR30-A / B	KH	157
KR35-D	KH	158
KR35-D	GF	159
KR35-D Horizontal/ Detachable	GF	160
KR35-D Removable	GF	161
KHA7,5	GF	162
KHA13-B	GF	163
KV13HV-C	GF	164
KV13HV-A	GF	165
KHA20-B	GF	166
KV20HV-C	GF	167
KV20HV-A	GF	168
KHA30-A / B	GF	169
KR30HV-A / B	KH	170
KR30HV-A / B	GF	171
KHA35-B	GF	172
KR35HV-A	GF	173
KR35HV-B	KH	174

Overrun brake -Type	Version - Type	Page
KHD9	GF	175
KHD15	GF	176
KHD20	GF	177
KHD25	GF	178
KHD27	GF	179
KHD35	GF	180

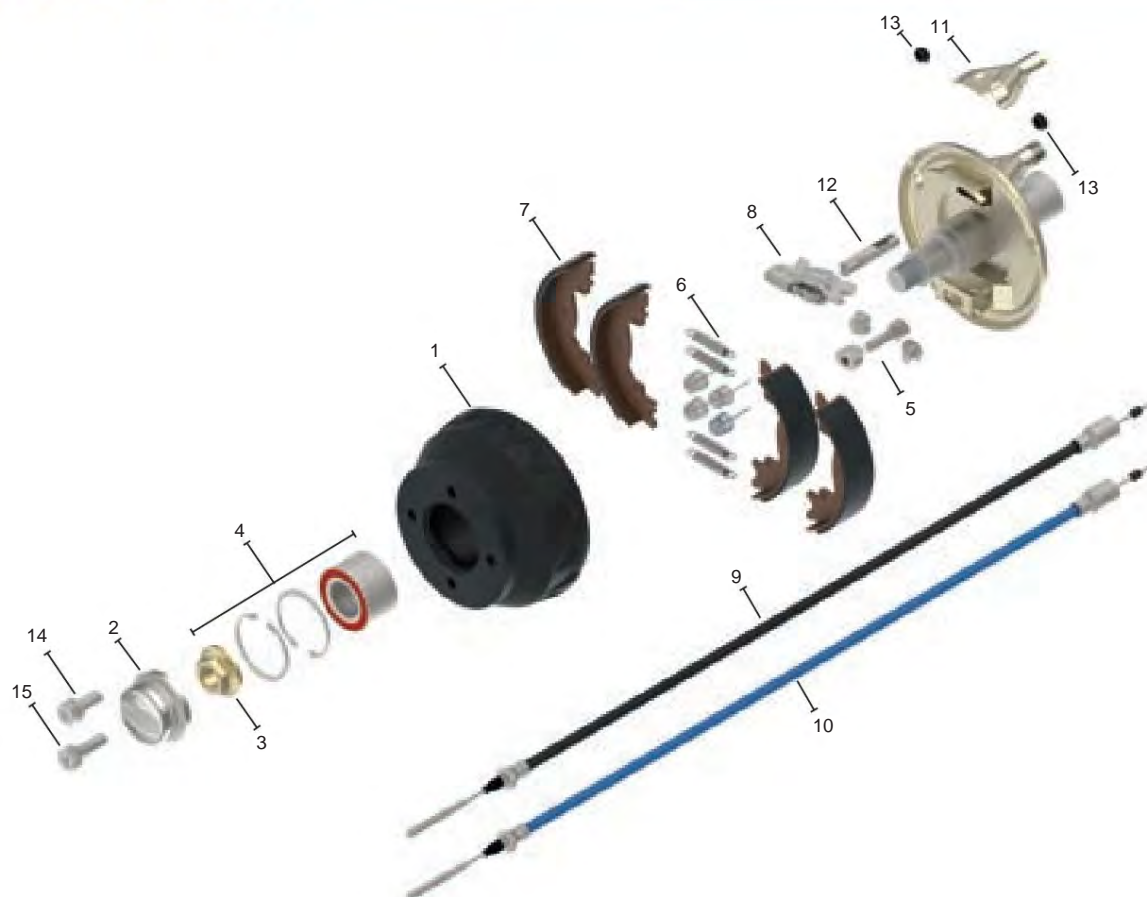
Drawbar -Type	Version - Type	Page
KHV7,5	750 kg	181
KHV13	1300 kg	182
KHV20	2200 kg	183
KHV30	3500 kg	184
KHV35	3500 kg	185
KHV50	5000 kg	186
KHV65	6500 kg	187

Technical information	188-189
-----------------------	---------

Brakehubs	190-192
Shock absorbers	193
Tie Rods	194
Cables	195-201
Notes	ab 202



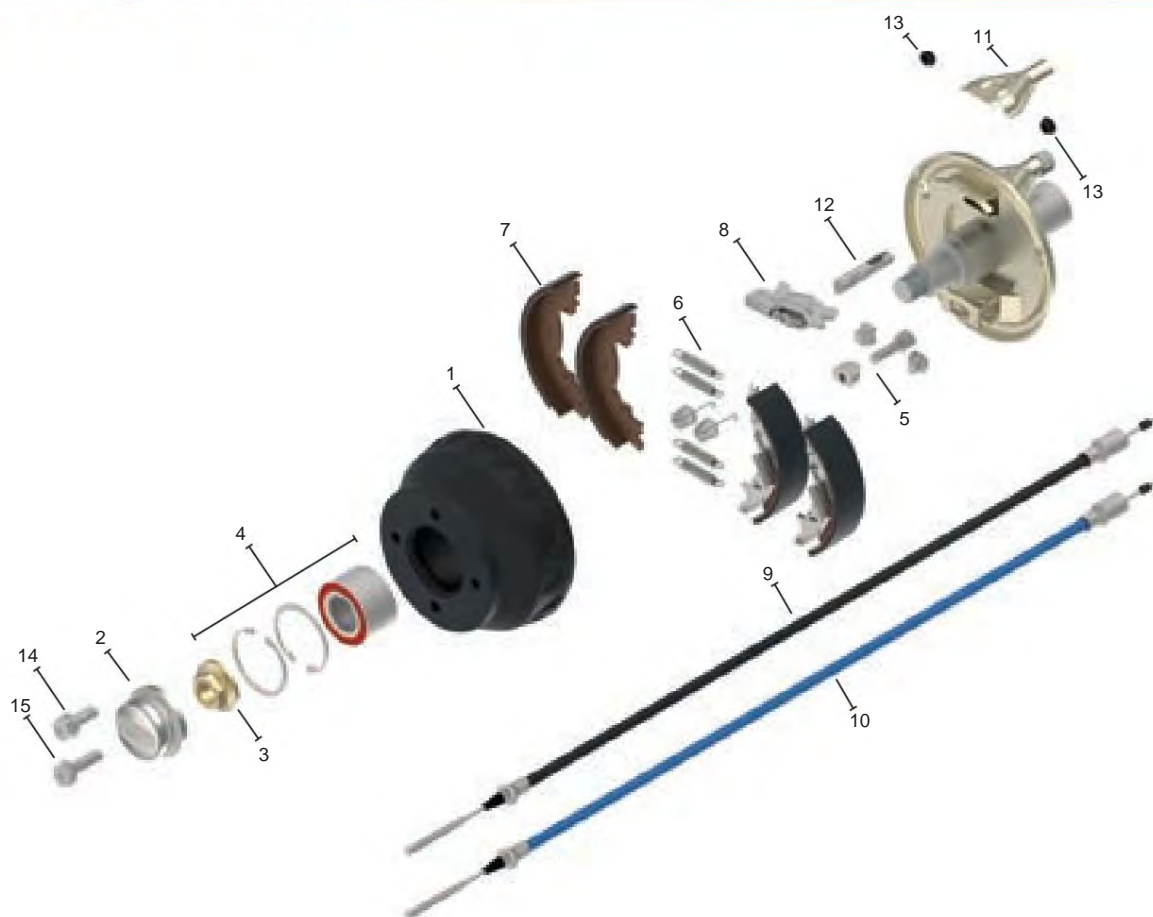
Item Description	Order-number	Item Description	Order-number
1 Brake hub <b>100x4/M12</b> Height: <b>101mm</b>	23851B02	13 Cable pull ( 830/1040) Stainless steel 37086.07	
2 caps <b>Ø48.5mm</b>	42191	13 cable pull (1030/1240) stainless steel	37086.11
3 Splint	D94.013	13 Cable pull (1230/1440) Stainless steel 37086.14	
4 Crown Mother <b>M20x1.5</b>	D937.003	13 Cable pull (1430/1640) Stainless steel 37086.16	
5 tapered roller bearings <b>Ø47mm</b>	45877.10	13 Cable pull (1530/1740) Stainless steel 37086.17	
6 Tapered roller bearing <b>Ø62mm</b>	45877.12	14 bowls	36341
7 Stop washer	41582-2	15 Towing eye	910120
8 Adjustment Set	405859.001	16 sealing caps <b>Ø16mm</b>	44569.03
Set of 9 springs	405977.001	17 Ball seat screw <b>M12</b>	46465.01
10 brake shoe set	405976.001	18 Conical seat screw <b>M12</b>	43696-1
11 Spreader lock complete.	406415.001		
12 cable pull ( 730/ 940)	33921-1.06		
12 cable pull ( 830/1040)	33921-1.07		
12 cable pull (1030/1240)	33921-1.11		
12 cable pull (1230/1440)	33921-1.14		
12 cable pull (1430/1640)	33921-1.16		
12 cable pull (1530/1740)	33921-1.17		
13 cable pull ( 730/ 940) stainless steel	37086.06		



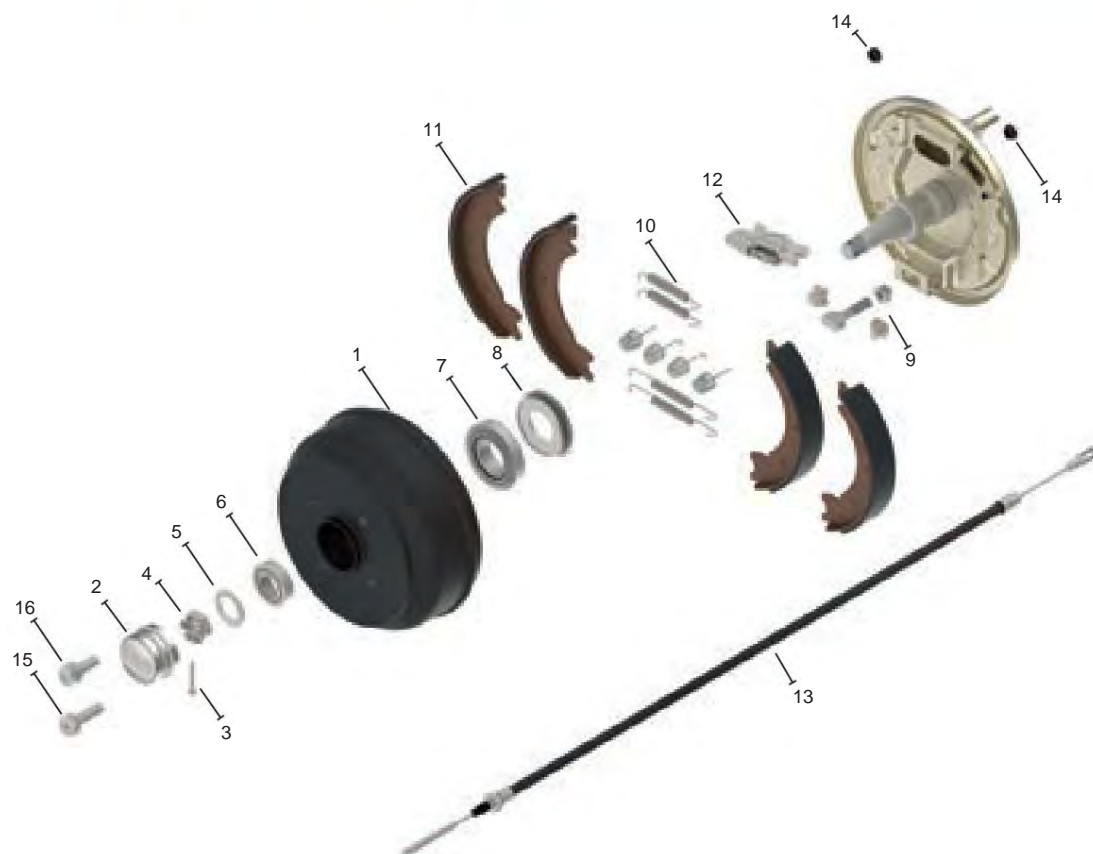
Item	Description	Order-number	Item	Description	Order-number
1	Complete brake hub <b>100x4/M12</b> Height: <b>90mm</b>	409697B002	10	cable pull (730/940) stainless steel	37086.06
1	Brake hub complete <b>112x5/M12</b> Height: <b>90mm</b>	409697C002	10	cable pull ( 830/1040) stainless steel	37086.07
1	Complete brake hub <b>100x4/M12</b> Height: <b>90mm</b> Waterproof	400460B002	10	cable pull (1030/1240) stainless steel	37086.11
1	Complete brake hub <b>112x5/M12</b> Height: <b>90mm</b> Waterproof	400460C002	10	cable pull (1230/1440) stainless steel	37086.14
2	caps <b>Ø64mm</b>	47151	10	cable pull (1430/1640) stainless steel	37086.16
3	flange nuts	407963.001	10	cable pull (1530/1740) stainless steel	37086.17
	Set of 4 angular contact ball bearings <b>Ø64mm</b>	47305V	11	bowls	36341
4	Angular contact ball bearing set <b>Ø64mm</b> waterproof	410250.001	12	Towing eye	910120
5	Adjustment Set	405859.001	13	sealing caps <b>Ø16mm</b>	44569.03
	Set of 6 springs	405977.001	14	Ball seat screw <b>M12</b>	46465.01
7	brake shoe set	405976.001	15	Conical seat screw <b>M12</b>	43696-1
8	complete spreader locks	406415.001			
9	cable pull ( 730/ 940)	33921-1.06			
9	cable pull ( 830/1040)	33921-1.07			
9	cable pull (1030/1240)	33921-1.11			
9	cable pull (1230/1440)	33921-1.14			
9	cable pull (1430/1640)	33921-1.16			
9	cable pull (1530/1740)	33921-1.17			



Item Description	Order-number	Item Description	Order-number
1 Brake hub <b>100x4/M12</b> Height: <b>101mm</b>	23851B02	13 cable pull ( 830/1040) stainless steel	37086.07
2 caps <b>Ø48.5mm</b>	42191	13 cable pull (1030/1240) stainless steel	37086.11
3 Splint	D94.013	13 cable pull (1230/1440) stainless steel	37086.14
4 Crown Mother <b>M20x1.5</b>	D937.003	13 cable pull (1430/1640) stainless steel	37086.16
5 tapered roller bearings <b>Ø47mm</b>	45877.10	13 cable pull (1530/1740) stainless steel	37086.17
6 tapered roller bearings <b>Ø62mm</b>	45877.12	14 bowls	36341
7 Stop washer	41582-2	15 Towing eye	910120
8 Adjustment Set	405859.001	16 sealing caps <b>Ø16mm</b>	44569.03
Set of 9 springs	400723.001	17 Ball seat screw <b>M12</b>	46465.01
10 brake shoe set	402611.001	18 Conical seat screw <b>M12</b>	43696-1
11 Spreader lock complete.	406415.001		
12 cable pull ( 730/ 940)	33921-1.06		
12 cable pull ( 830/1040)	33921-1.07		
12 cable pull (1030/1240)	33921-1.11		
12 cable pull (1230/1440)	33921-1.14		
12 cable pull (1430/1640)	33921-1.16		
12 cable pull (1530/1740)	33921-1.17		
13 cable pull ( 730/ 940) stainless steel	37086.06		



Item	Description	Order-number	Item Description	Order-number
1	Complete brake hub <b>100x4/M12</b> Height: <b>90mm</b>	409697B002	10 cable pull (730/940) stainless steel	37086.06
1	Brake hub complete <b>112x5/M12</b> Height: <b>90mm</b>	409697C002	10 cable pull ( 830/1040) stainless steel	37086.07
1	Complete brake hub <b>100x4/M12</b> Height: <b>90mm</b> Waterproof	400460B002	10 cable pull (1030/1240) stainless steel	37086.11
1	Complete brake hub <b>112x5/M12</b> Height: <b>90mm</b> Waterproof	400460C002	10 cable pull (1230/1440) stainless steel	37086.14
2	caps <b>Ø64mm</b>	47151	10 cable pull (1430/1640) stainless steel	37086.16
3	Flange nut	407963.001	10 cable pull (1530/1740) stainless steel	37086.17
4	Angular contact ball bearing set <b>Ø64mm</b>	47305V	11 bowls	36341
4	Angular contact ball bearing set <b>Ø64mm</b> waterproof	410250.001	12 Towing eye	910120
5	Adjustment Set	405859.001	13 sealing caps <b>Ø16mm</b>	44569.03
	Set of 6 springs	400723.001	14 Ball seat screw <b>M12</b>	46465.01
	7 brake shoe set	402611.001	15 Conical seat screw <b>M12</b>	43696-1
8	Complete spreader lock.	406415.001		
9	Cable pull ( 730/ 940)	33921-1.06		
9	Cable pull ( 830/1040)	33921-1.07		
9	Cable pull (1030/1240)	33921-1.11		
9	Cable pull (1230/1440)	33921-1.14		
9	Pulley (1430/1640)	33921-1.16		
9	Pulley (1530/1740)	33921-1.17		



Item	Description	Order-number	Item	Description	Order-number
1	Brake hub <b>100x4/M12</b> Height: 86mm	21225-1B02	13	cable pull (1400/1700)	35006.28
1	Brake hub <b>112x5/M12</b> Height: 86mm	21225-1C02	13	cable pull (1600/1900)	35006.33
2	caps <b>Ø52.1mm</b>	417311.001	14	sealing caps <b>Ø16mm</b>	44569.03
3	Splint	D94.015	15	Ball seat screw <b>M12</b>	46465.01
4	Crown Mother <b>M24x2</b>	D937.005	16	Conical seat screw <b>M12</b>	43696-1
5	slices	411466.001			
6	Tapered roller bearing <b>Ø52mm</b>	45877.11			
7	tapered roller bearings <b>Ø62mm</b>	45877.12			
8	Stop disc	41582-2			
9	Adjustment Set	405980.001			
	Set of 10 springs	405979.001			
11	brake shoe set	405978.001			
12	complete spreader locks	45309			
13	cable pull (900/1200)	35006.14			
13	cable pull (1000/1300)	35006.16			
13	cable pull (1100/1400)	35006.20			
13	cable pull (1200/1500)	35006.24			



Item	Description	Order-number	Item	Description	Order-number
1	Brake hub <b>100x4/M12</b> Height: 86mm	21225-1B02	13	cable pull (1400/1700)	35006.28
1	Brake hub <b>112x5/M12</b> Height: 86mm	21225-1C02	13	cable pull (1600/1900)	35006.33
2	caps <b>Ø52.1mm</b>	417311.001	14	sealing caps <b>Ø16mm</b>	44569.03
3	Splint	D94.015	15	Ball seat screw <b>M12</b>	46465.01
4	Crown Mother <b>M24x2</b>	D937.005	16	Conical seat screw <b>M12</b>	43696-1
5	slices	411466.001			
6	Tapered roller bearing <b>Ø52mm</b>	45877.11			
7	tapered roller bearings <b>Ø62mm</b>	45877.12			
8	Stop disc	41582-2			
9	Adjustment Set	405980.001			
	Set of 10 springs	405981.001			
11	brake shoe set	403132.001			
12	complete spreader locks	45309			
13	cable pull (900/1200)	35006.14			
13	cable pull (1000/1300)	35006.16			
13	cable pull (1100/1400)	35006.20			
13	cable pull (1200/1500)	35006.24			



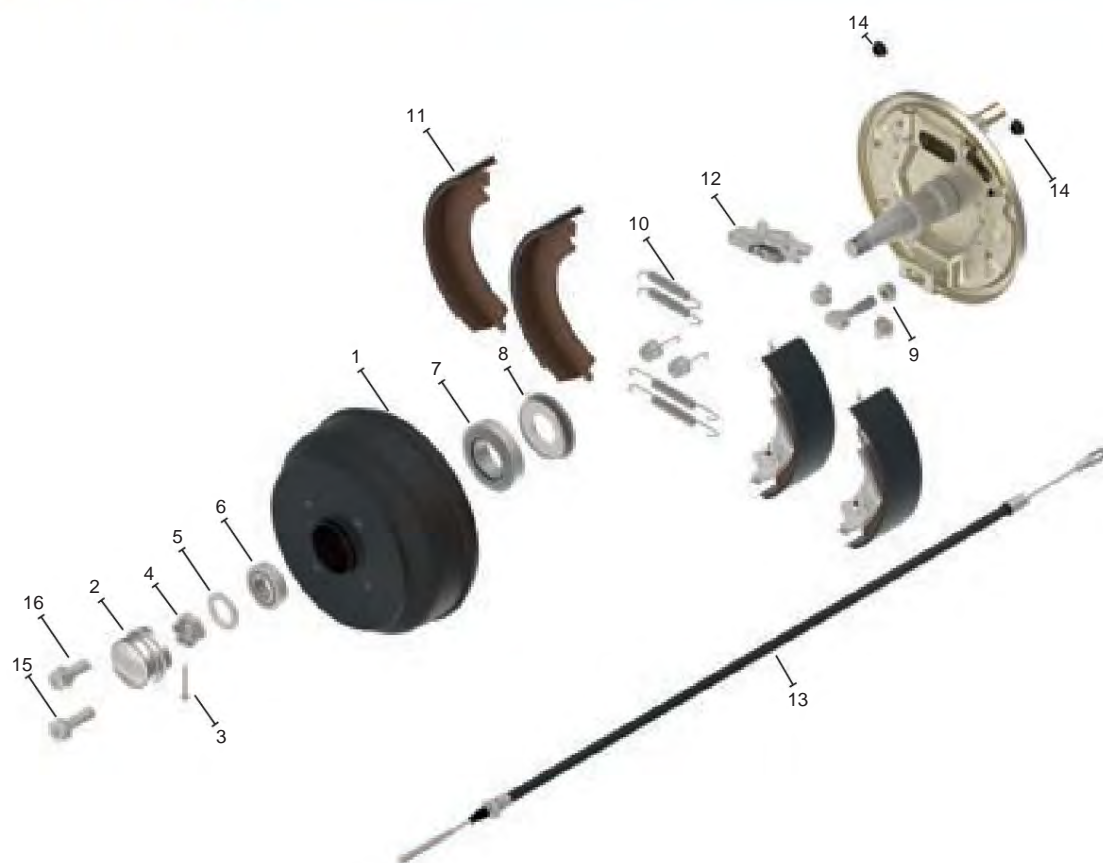
Item	Description	Order-number	Item	Description	Order-number
1	Brake hub <b>100x4/M12</b> Height: 72mm	415184B002	11	Cable pull ( 730/ 940) Stainless steel	37086.06
1	Brake hub <b>112x5/M12</b> Height: 72mm	415184C002	11	Cable pull ( 830/1040) Stainless steel	37086.07
2	caps <b>Ø64mm</b>	47151	11	Cable pull (1030/1240) Stainless steel	37086.11
3	flange nuts	407963.001	11	Cable pull (1230/1440) Stainless steel	37086.14
4	angular contact ball bearings <b>Ø64mm</b>	47305V	11	cable pull (1430/1640) stainless steel	37086.16
5	Adjustment Set	405859.001	11	Cable pull (1530/1740) Stainless steel	37086.17
	Set of 6 springs	421505.001	12	bowls	36341
7	brake shoe set	421504.001	13	sealing caps <b>Ø16mm</b>	44569.03
8	complete spreader locks	45309	14	Ball seat screw <b>M12</b>	46465.01
9	Towing eye	910120	15	conical seat screws <b>M12</b>	43696-1
10	cable pull ( 730/ 940)	33921-1.06			
10	cable pull ( 830/1040)	33921-1.07			
10	cable pull (1030/1240)	33921-1.11			
10	cable pull (1230/1440)	33921-1.14			
10	cable pull (1430/1640)	33921-1.16			
10	cable pull (1530/1740)	33921-1.17			



Item	Description	Order-number	Item	Description	Order-number
1	Brake hub 100x4/M12 Height: 72mm	415184B002	8	cable pull (1230/1440) stainless steel	37086.14
1	Brake hub 112x5/M12 Height: 72mm	415184C002	8	cable pull (1430/1640) stainless steel	37086.16
2	caps Ø64mm	47151	8	cable pull (1530/1740) stainless steel	37086.17
3	flange nuts	407963.001	9	bowls	36341
4	angular contact ball bearings Ø64mm	47305V	10	sealing caps Ø16mm	44569.03
5	Adjustment Set	405859.001	11	Ball seat screw M12	46465.01
6	brake shoe set	421506.001	12	Conical seat screws M12	43696-1
7	cable pull ( 730/ 940)	33921-1.06			
7	cable pull ( 830/1040)	33921-1.07			
7	Cable pull (1030/1240)	33921-1.11			
7	cable pull (1230/1440)	33921-1.14			
7	cable pull (1430/1640)	33921-1.16			
7	cable pull (1530/1740)	33921-1.17			
8	cable pull (730/940) stainless steel	37086.06			
8	cable pull ( 830/1040) stainless steel	37086.07			
8	cable pull (1030/1240) stainless steel	37086.11			



Item	Description	Order-number	Item	Description	Order-number
1	Brake hub <b>100x4/M12</b> Height: 86mm	21225-1B02	13	cable pull (1200/1500)	35006.24
1	Brake hub <b>112x5/M12</b> Height: 86mm	21225-1C02	13	cable pull (1400/1700)	35006.28
2	caps <b>Ø52.1mm</b>	417311.001	13	cable pull (1600/1900)	35006.33
3	Splint	D94.015	14	sealing caps <b>Ø16mm</b>	44569.03
4	Crown Mother <b>M24x2</b>	D937.005	15	Ball seat screw <b>M12</b>	46465.01
5	slices	411466.001	16	Conical seat screw <b>M12</b>	43696-1
6	Tapered roller bearing <b>Ø52mm</b>	45877.11			
7	tapered roller bearings <b>Ø62mm</b>	45877.12			
8	Stop disc	41582-2			
9	Adjustment Set	405980.001			
	Set of 10 springs	405999.001			
11	brake shoe set	406161.001			
12	complete spreader locks	45309			
13	cable pull (900/1200)	35006.14			
13	cable pull (1000/1300)	35006.16			
13	cable pull (1100/1400)	35006.20			



Item Description	Order-number	Item Description	Order-number
1 Brake hub <b>100x4/M12</b> Height: 86mm	21225-1B02	13 cable pull (1200/1500)	35006.24
1 Brake hub <b>112x5/M12</b> Height: 86mm	21225-1C02	13 cable pull (1400/1700)	35006.28
2 caps <b>Ø52.1mm</b>	417311.001	13 cable pull (1600/1900)	35006.33
3 Splint	D94.015	14 sealing caps <b>Ø16mm</b>	44569.03
4 Crown Mother <b>M24x2</b>	D937.005	15 Ball seat screw <b>M12</b>	46465.01
5 slices	411466.001	16 Conical seat screw <b>M12</b>	43696-1
6 Tapered roller bearing <b>Ø52mm</b>	45877.11		
7 Tapered roller bearing <b>Ø62mm</b>	45877.12		
8 Stop disc	41582-2		
9 Adjustment Set	405980.001		
Set of 10 springs	400724.001		
11 brake shoe set	47276		
12 complete spreader locks	45309		
13 cable pull (900/1200)	35006.14		
13 cable pull (1000/1300)	35006.16		
13 cable pull (1100/1400)	35006.20		



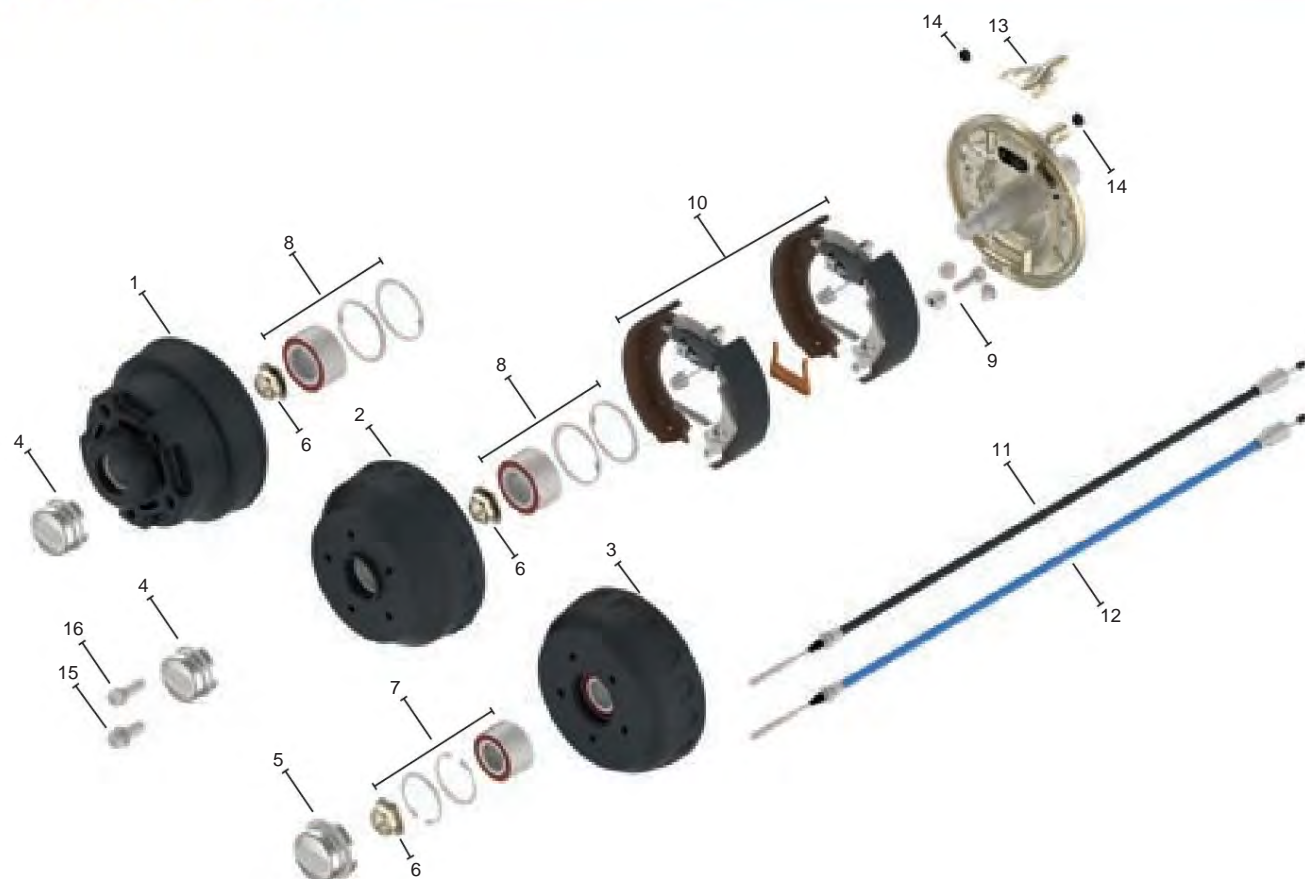
Item Description	Order-number	Item Description	Order-number	Item Description	Order-number
1 Brake hub complete 140x5/M14 Height: 160mm	401326N002	11 brake shoe set	406161.001	18 Ball seat screw M14	43777.01
2 Brake hub complete 112x5/M12 Height: 100mm	25964C02	12 complete spreader locks	45309	19 Conical seat screw M12	43696-1
2 Complete brake hub 112x5/M12 Height: 100mm Waterproof	401619C002	13 cable pull ( 730/ 940)	33921-1.06		
2 Brake hub complete 140x5/M14 Height: 100mm turned	410184N002	13 cable pull ( 830/1040)	33921-1.07		
2 Complete brake hub 140x5/M12 Height: 100mm Waterproof	401619N002	13 cable pull (1030/1240)	33921-1.11		
3 Complete brake hub 100x4/M12 Height: 83mm	26980B02	13 cable pull (1230/1440)	33921-1.14		
3 Complete brake hub 100x4/M12 Height: 83mm Waterproof	401463B002	13 cable pull (1430/1640)	33921-1.16		
3 Brake hub complete 112x5/M12 Height: 83mm	26980C02	13 cable pull (1530/1740)	33921-1.17		
3 Complete brake hub 112x5/M12 Height: 83mm Waterproof	401463C002	14 cable pull ( 730/ 940) stainless steel	37086.06		
4 caps Ø52.1mm	47117	14 cable pull ( 830/1040) stainless steel	37086.07		
5 caps Ø64mm	47151	14 cable pull (1030/1240) stainless steel	37086.11		
6 flange nuts	407963.001	14 cable pull (1230/1440) stainless steel	37086.14		
7 Angular Contact Ball Bearing Set Ø64mm 47305V		14 cable pull (1430/1640) stainless steel	37086.16		
7 Angular contact ball bearing set Ø64mm waterproof	410250.001	14 cable pull (1530/1740) stainless steel	37086.17		
8 Angular Contact Ball Bearing Set Ø72mm 47306V		15 bowls	36341		
8 Angular contact ball bearing set Ø72mm waterproof	410250.002	16 Towing eye	910120		
9 Adjustment Set	405859.001	17 sealing caps Ø16mm	44569.03		
Set of 10 springs	405999.001	18 Ball seat screw M12	46465.01		

Please refer to the technical information. Subject to change without notice.



Item	Description	Order-number	Item Description	Order-number	Item Description	Order-number
1	Complete brake hub 8" 140x5/M14 Height: 160mm	401326N002	11 brake shoe set	47276	18 Ball seat screw M14	43777.01
2	Brake hub complete 10" 112x5/M12 Height: 100mm	25964C02	12 complete spreader locks	45309	19 Conical seat screw M12	43696-1
2	Brake hub complete 10" 112x5/M12 Height: 100mm waterproof	401619C002	13 cable pull ( 730/ 940)	33921-1.06		
2	Brake hub complete 10" 140x5/M14 Height: 100mm turned	410184N002	13 cable pull ( 830/1040)	33921-1.07		
2	Brake hub complete 10" 140x5/M14 Height: 100mm waterproof	401619N002	13 cable pull (1030/1240)	33921-1.11		
3	Brake hub complete 13" 100x4/M12 Height: 83mm	26980B02	13 cable pull (1230/1440)	33921-1.14		
3	Complete brake hub 13" 100x4/M12 Height: 83mm waterproof	401463B002	13 cable pull (1430/1640)	33921-1.16		
3	Brake hub complete 13" 112x5/M12 Height: 83mm	26980C02	13 cable pull (1530/1740)	33921-1.17		
3	Complete brake hub 13" 112x5/M12 Height: 83mm Waterproof	401463C002	14 cable pull ( 730/ 940) stainless steel	37086.06		
4	caps Ø52.1mm	47117	14 cable pull ( 830/1040) stainless steel	37086.07		
5	Cap Ø64.0mm	47151	14 cable pull (1030/1240) stainless steel	37086.11		
6	flange nuts	407963.001	14 cable pull (1230/1440) stainless steel	37086.14		
7	angular contact ball bearings set Ø64mm	47305V	14 cable pull (1430/1640) stainless steel	37086.16		
7	Angular contact ball bearing set Ø64mm waterproof	410250.001	14 cable pull (1530/1740) stainless steel	37086.17		
	Set of 8 angular contact ball bearings Ø72mm	47306V	15 bowls	36341		
8	Angular contact ball bearing set Ø72mm waterproof	410250.002	16 Towing eye	910120		
9	Adjustment Set	405859.001	17 sealing caps Ø16mm	44569.03		
	Set of 10 springs	400724.001	18 Ball seat screw M12	46465.01		

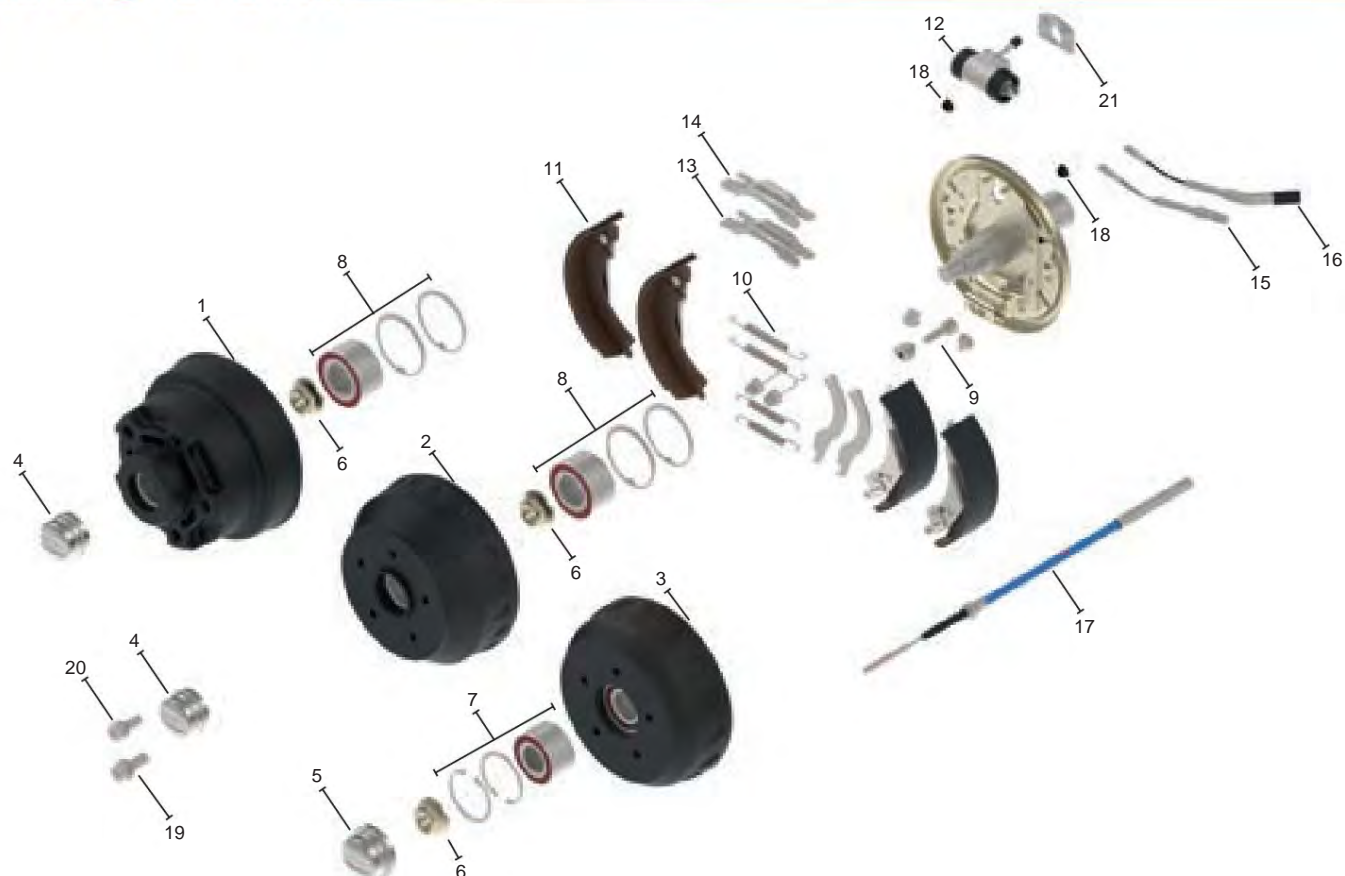
Please refer to the technical information. Subject to change without notice.



Item	Description	Order-number	Item	Description	Order-number
1	Brake hub complete <b>140x5/M14</b> Height: <b>160mm</b>	401326N002	11	Cable pull ( 730/ 940)	33921-1.06
2	Brake hub complete <b>112x5/M12</b> Height: <b>100mm</b>	25964C02	11	Cable pull ( 830/1040)	33921-1.07
2	Complete brake hub <b>112x5/M12</b> Height: <b>100mm Waterproof</b>	401619C002	11	Cable pull (1030/1240)	33921-1.11
2	Brake hub complete <b>140x5/M14</b> Height: <b>100mm turned</b>	410184N002	11	Pulley (1230/1440)	33921-1.14
2	Complete brake hub <b>140x5/M14</b> Height: <b>100mm Waterproof</b>	401619N002	11	Pulley (1430/1640)	33921-1.16
3	Complete brake hub <b>100x4/M12</b> Height: <b>83mm</b>	26980B02	11	Pulley (1530/1740)	33921-1.17
3	Complete brake hub <b>100x4/M12</b> Height: <b>83mm Waterproof</b>	401463B002	12	cable pull (730/940) stainless steel	37086.06
3	Brake hub complete <b>112x5/M12</b> Height: <b>83mm</b>	26980C02	12	cable pull ( 830/1040) stainless steel	37086.07
3	Complete brake hub <b>112x5/M12</b> Height: <b>83mm Waterproof</b>	401463C002	12	cable pull (1030/1240) stainless steel	37086.11
4	caps <b>Ø52.1mm</b>	47117	12	cable pull (1230/1440) stainless steel	37086.14
5	caps <b>Ø64mm</b>	47151	12	cable pull (1430/1640) stainless steel	37086.16
6	flange nuts	407963.001	12	cable pull (1530/1740) stainless steel	37086.17
7	Angular Contact Ball Bearing Set <b>Ø64mm</b> 47305V		13	bowls	36341
7	Angular contact ball bearing set <b>Ø64mm</b> waterproof	410250.001	14	sealing caps <b>Ø16mm</b>	44569.03
8	Angular Contact Ball Bearing Set <b>Ø72mm</b> 47306V		15	Ball seat screw <b>M12</b>	46465.01
8	Angular contact ball bearing set <b>Ø72mm</b> waterproof	410250.002	15	Ball seat screw <b>M14</b>	43777.01
9	Adjustment Set	405859.001	16	Conical seat screw <b>M12</b>	43696-1
10	brake shoe set	409930.001			



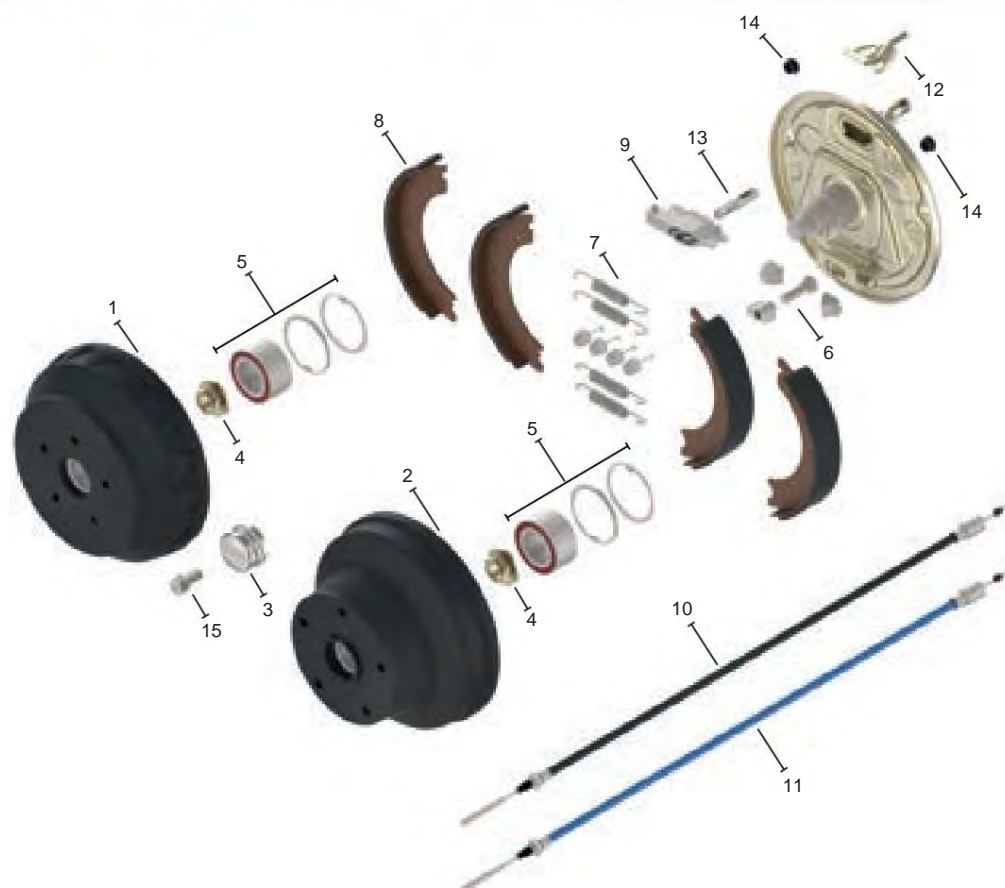
Item	Description	Order-number	Item	Description	Order-number
1	Brake hub complete 140x5/M14 Height: 160mm	401326N002	14	right-hand tappet	408684.002
2	Brake hub complete 112x5/M12 Height: 100mm	25964C02	15	Document	41371
2	Brake hub complete 140x5/M14 Height: 100mm turned	410184N002	16	straight cable pull adapters	980074.01
3	Complete brake hub 100x4/M12 Height: 83mm	26980B02	17	Cable pull adapters , angled 30°	980077.01
3	Brake hub complete 112x5/M12 Height: 83mm	26980C02	18	cable pull (1150/1310) stainless steel	980055.02
4	caps Ø52.1mm	47117	18	cable pull (1350/1510) stainless steel	980055.15
5	caps Ø64mm	47151	18	cable pull (1650/1810) stainless steel	980055.01
6	Flange nut	407963.001	18	cable pull (1850/2010) stainless steel	980055.12
7	Angular Contact Ball Bearing Set Ø64mm 47305V		18	cable pull (2050/2210) stainless steel	980055.16
8	Angular Contact Ball Bearing Set Ø72mm 47306V		18	cable pull (2250/2410) stainless steel	980055.03
9	Adjustment Set	405859.001	19	sealing caps Ø16mm	44569.03
	Set of 10 springs	406000.001	20	Ball Seat Screw M12	46465.01
11	brake shoe set	406162.001	20	Ball Seat Screw M14	43777.01
12	wheel cylinders Ø25.40mm	33455	21	Conical seat screw M12	43696-1
12	wheel cylinders Ø22.20mm	102853			
12	wheel cylinders Ø19.05mm	36407			
12	wheel cylinders Ø15.87mm	100570			
13	tappets left	408684.001			



Item	Description	Order-number	Item	Description	Order-number
1	Brake hub complete 140x5/M14 Height: 160mm	401326N002	16	cable pull adapters, angled 30°	980077.01
2	Brake hub complete 112x5/M12 Height: 100mm	25964C02	17	cable pull (1150/1310) stainless steel	980055.02
2	Brake hub complete 140x5/M14 Height: 100mm turned	410184N002	17	cable pull (1350/1510) stainless steel	980055.15
3	Complete brake hub 100x4/M12 Height: 83mm	26980B02	17	cable pull (1650/1810) stainless steel	980055.01
3	Brake hub complete 112x5/M12 Height: 83mm	26980C02	17	cable pull (1850/2010) stainless steel	980055.12
4	caps Ø52.1mm	47117	17	Cable pull (2050/2210) Stainless steel	980055.16
5	caps Ø64mm	47151	17	cable pull (2250/2410) stainless steel	980055.03
6	Flange nut	407963.001	18	sealing caps Ø16mm	44569.03
7	Angular Contact Ball Bearing Set Ø64mm 47305V		19	Ball seat screw M12	46465.01
8	Angular Contact Ball Bearing Set Ø72mm 47306V		19	Ball seat screw M14	43777.01
9	Adjustment Set	405859.001	20	Conical seat screws M12	43696-1
	Set of 10 springs	406001.001	21	document	41371
	11 brake shoe set	403910.001			
	12 Wheel cylinders Ø25.40mm right 35395.01				
	12 wheel cylinders Ø25.40mm left	35395.02			
	13 tappets left	44589-1.01			
	14 right-hand tappet	44589-1.02			
	15 straight cable pull adapters	980074.01			



Item	Description	Order-number	Item Description	Order-number
1	Brake hub <b>100x4/M12</b> Height: 101 mm	406156B001	13 cable pull (1430/1640)	33921-1.16
1	Brake hub <b>112x5/M12</b> Height: 101mm	406156C001	13 cable pull (1530/1740)	33921-1.17
1	Brake hub <b>139.7x4/M12</b> Height: 101mm	406156K001	14 cable pull ( 730/ 940) stainless steel	37086.06
2	caps <b>Ø47mm</b>	406140.001	14 cable pull ( 830/1040) stainless steel	37086.07
3	Splint	D94.014	14 cable pull (1030/1240) stainless steel	37086.11
4	Crown Mother <b>M20x1.5</b>	406142.001	14 cable pull (1230/1440) stainless steel	37086.14
5	slices	406152.001	14 cable pull (1430/1640) stainless steel	37086.16
6	Tapered roller bearing <b>Ø42mm</b>	406144.001	14 cable pull (1530/1740) stainless steel	37086.17
7	tapered roller bearings <b>Ø59.131mm</b>	406147.001	15 bowls	36341
8	Stop disc	406148.001	16 Towing eye	910120
9	Adjustment Set	405859.001	17 sealing caps <b>Ø16mm</b>	44569.03
	Set of 10 springs	406163.001	18 Ball seat nut <b>M12</b>	D74361.003
	11 brake shoe set	38196.01V		
	12 complete spreader locks	45309		
	13 cable pull ( 730/ 940)	33921-1.06		
	13 cable pull ( 830/1040)	33921-1.07		
	13 cable pull (1030/1240)	33921-1.11		
	13 cable pull (1230/1440)	33921-1.14		



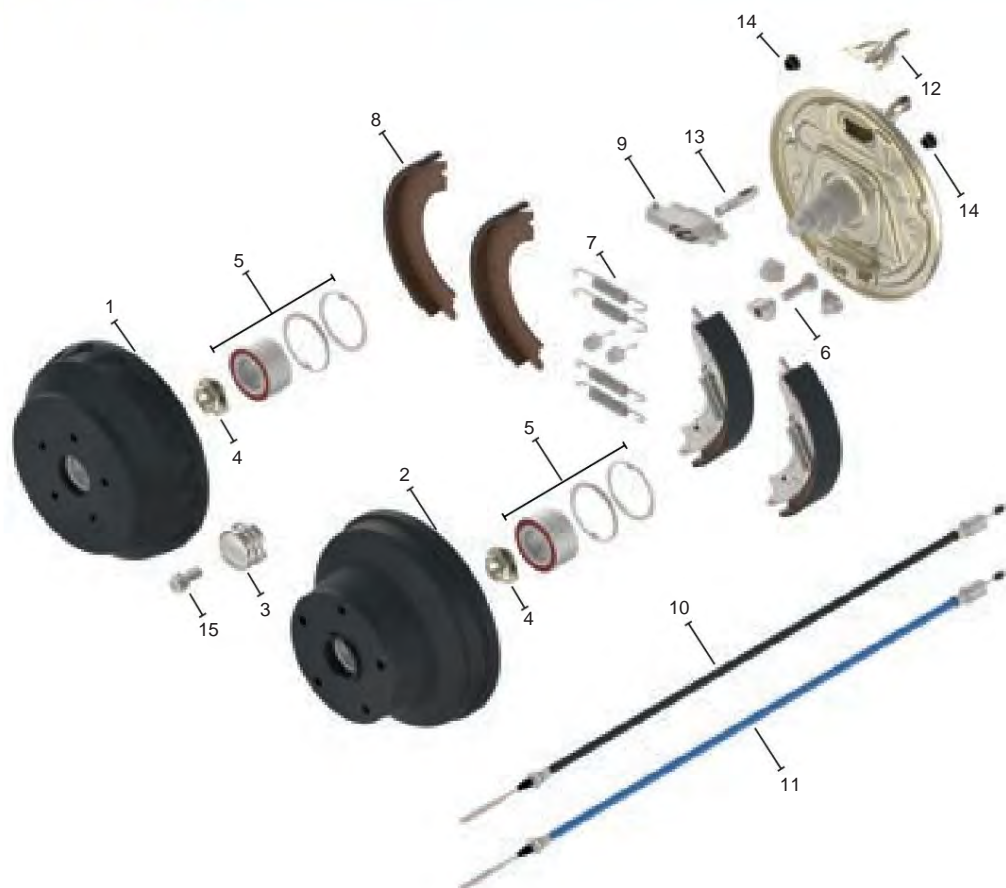
Item	Description	Order-number	Item	Description	Order-number
1	Brake hub complete 112x5/M12 Height: 98mm	25655C02	11	Cable pull ( 730/ 940) Stainless steel	37086.06
1	Complete brake hub 112x5/M12 Height: 98mm Waterproof	401598C002	11	Cable pull ( 830/1040) Stainless steel	37086.07
2	Brake hub complete 112x5/M12 Height: 135mm	405714C002	11	Cable pull (1030/1240) Stainless steel	37086.11
2	Brake hub complete 140x5/M14 Height: 135mm	405714N002	11	Cable pull (1230/1440) Stainless steel	37086.14
3	Cap Ø52.1mm	47117	11	cable pull (1430/1640) stainless steel	37086.16
4	Flange nut	407963.001	11	Cable pull (1530/1740) Stainless steel	37086.17
5	Angular Contact Ball Bearing Set Ø72mm 47306V		12	bowls	36341
5	Angular contact ball bearing set Ø72mm waterproof	410250.002	13	Towing eye	910120
6	Adjustment Set	100721	14	sealing caps Ø20mm	44559.08
	Set of 7 springs	406002.001	15	Ball seat screw M12	46465.01
	8 brake shoe set	406164.001			
	9 complete spreader locks	45309			
	10 cable pull ( 730/ 940)	33921-1.06			
	10 cable pull ( 830/1040)	33921-1.07			
	10 cable pull (1030/1240)	33921-1.11			
	10 cable pull (1230/1440)	33921-1.14			
	10 cable pull (1430/1640)	33921-1.16			
	10 cable pull (1530/1740)	33921-1.17			



Item Description	Order-number	Item Description	Order-number
1 Brake hub complete 112x5/M12 Height: 98mm	25655C02	9 cable pull (1030/1240) stainless steel	37086.11
1 Complete brake hub 112x5/M12 Height: 98mm Waterproof	401598C002	9 cable pull (1230/1440) stainless steel	37086.14
2 Brake hub complete 112x5/M12 Height: 135mm	405714C002	9 cable pull (1430/1640) stainless steel	37086.16
2 Brake hub complete 140x5/M14 Height: 135mm	405714N002	9 cable pull (1530/1740) stainless steel	37086.17
3 Cap Ø52.1mm	47117	10 bowls	36341
4 Flange nut	407963.001	11 sealing caps Ø20mm	44559.08
5 Angular Contact Ball Bearing Set Ø72mm 47306V		12 Ball seat screws M12	46465.01
5 Angular contact ball bearing set Ø72mm waterproof	410250.002		
6 Adjustment Set	100721		
7 brake shoe set	421107.001		
8 cable pull ( 730/ 940)	33921-1.06		
8 cable pull ( 830/1040)	33921-1.07		
8 cable pull (1030/1240)	33921-1.11		
8 cable pull (1230/1440)	33921-1.14		
8 cable pull (1430/1640)	33921-1.16		
8 cable pull (1530/1740)	33921-1.17		
9 cable pull ( 730/ 940) stainless steel	37086.06		
9 cable pull ( 830/1040) stainless steel	37086.07		



Item	Description	Order-number	Item Description	Order-number
1	Brake hub 112x5/M12 Height: 164mm	14304C02	13 cable pull ( 830/1040) stainless steel	37086.07
2	caps Ø52.1mm	417311.001	13 cable pull (1030/1240) stainless steel	37086.11
3	Splint	D94.015	13 cable pull (1230/1440) stainless steel	37086.14
4	Crown Mother M24x1.5	D937.004	13 cable pull (1430/1640) stainless steel	37086.16
5	tapered roller bearings Ø52mm	45877.11	13 cable pull (1530/1740) stainless steel	37086.17
6	Tapered roller bearing Ø72mm	45877.13	14 bowls	36341
7	Stop washer	41562	15 Towing eye	910120
8	Adjustment Set	100721	16 sealing caps Ø20mm	44559.08
	Set of 9 springs	400725.001	17 Ball seat screw M12	46465.01
10	brake shoe set	402677.001		
11	Spreader lock	45309		
12	cable pull ( 730/ 940)	33921-1.06		
12	cable pull ( 830/1040)	33921-1.07		
12	cable pull (1030/1240)	33921-1.11		
12	cable pull (1230/1440)	33921-1.14		
12	cable pull (1430/1640)	33921-1.16		
12	cable pull (1530/1740)	33921-1.17		
13	cable pull ( 730/ 940) stainless steel	37086.06		



Item	Description	Order-number	Item	Description	Order-number
1	Brake hub complete 112x5/M12 Height: 98mm	25655C02	11	Cable pull ( 730/ 940) Stainless steel	37086.06
1	Complete brake hub 112x5/M12 Height: 98mm Waterproof	401598C002	11	Cable pull ( 830/1040) Stainless steel	37086.07
2	Brake hub complete 112x5/M12 Height: 135mm	405714C002	11	Cable pull (1030/1240) Stainless steel	37086.11
2	Brake hub complete 140x5/M14 Height: 135mm	405714N002	11	Cable pull (1230/1440) Stainless steel	37086.14
3	Cap Ø52.1mm	47117	11	cable pull (1430/1640) stainless steel	37086.16
4	Flange nut	407963.001	11	Cable pull (1530/1740) Stainless steel	37086.17
5	Angular Contact Ball Bearing Set Ø72mm 47306V		12	bowls	36341
5	Angular contact ball bearing set Ø72mm waterproof	410250.002	13	Towing eye	910120
6	Adjustment Set	100721	14	sealing caps Ø20mm	44559.08
	Set of 7 springs	400725.001	15	Ball seat screw M12	46465.01
	8 brake shoe set	402677.001			
	9 complete spreader locks	45309			
	10 cable pull ( 730/ 940)	33921-1.06			
	10 cable pull ( 830/1040)	33921-1.07			
	10 cable pull (1030/1240)	33921-1.11			
	10 cable pull (1230/1440)	33921-1.14			
	10 cable pull (1430/1640)	33921-1.16			
	10 cable pull (1530/1740)	33921-1.17			



Item Description	Order-number	Item Description	Order-number
1 Brake hub complete 112x5/M12 Height: 98mm	25655C02	9 cable pull (1030/1240) stainless steel	37086.11
1 Complete brake hub 112x5/M12 Height: 98mm Waterproof	401598C002	9 cable pull (1230/1440) stainless steel	37086.14
2 Brake hub complete 112x5/M12 Height: 135mm	405714C002	9 cable pull (1430/1640) stainless steel	37086.16
2 Brake hub complete 140x5/M14 Height: 135mm	405714N002	9 cable pull (1530/1740) stainless steel	37086.17
3 Cap Ø52.1mm	47117	10 bowls	36341
4 Flange nut	407963.001	11 sealing caps Ø20mm	44559.08
5 Angular Contact Ball Bearing Set Ø72mm 47306V		12 Ball seat screws M12	46465.01
5 Angular contact ball bearing set Ø72mm waterproof	410250.002		
6 Adjustment Set	100721		
7 brake shoe set	409931.001		
8 cable pull ( 730/ 940)	33921-1.06		
8 cable pull ( 830/1040)	33921-1.07		
8 cable pull (1030/1240)	33921-1.11		
8 cable pull (1230/1440)	33921-1.14		
8 cable pull (1430/1640)	33921-1.16		
8 cable pull (1530/1740)	33921-1.17		
9 cable pull ( 730/ 940) stainless steel	37086.06		
9 cable pull ( 830/1040) stainless steel	37086.07		



Item	Description	Order-number	Item	Description	Order-number
1	Brake hub complete 112x5/M12 Height: 98mm	25655C02	14	cable pull (1650/1810) stainless steel	980055.01
2	Brake hub complete 112x5/M12 Height: 135mm	405714C002	14	cable pull (1850/2010) stainless steel	980055.12
2	Brake hub complete 140x5/M14 Height: 135mm	405714N002	14	cable pull (2050/2210) stainless steel	980055.16
3	Cap Ø52.1mm	47117	14	cable pull (2250/2410) stainless steel	980055.03
4	Flange nut	407963.001	15	sealing caps Ø20mm	44559.08
5	Angular Contact Ball Bearing Set Ø72mm 47306V		16	Ball seat screw M12	46465.01
6	Adjustment Set	100721			
	Set of 7 springs	406003.001			
8	brake shoe set	406165.002			
9	wheel cylinders Ø25.40mm	33455			
9	wheel cylinders Ø22.20mm	102853			
9	wheel cylinders Ø19.05mm	36407			
10	Document	41371			
11	pestles	41861			
12	straight cable pull adapters	980073.01			
13	cable pull adapters, angled 30°	980075.01			
14	cable pull (1150/1310) stainless steel	980055.02			
14	cable pull (1350/1510) stainless steel	980055.15			



Item	Description	Order-number	Item	Description	Order-number
1	Brake hub complete 112x5/M12 Height: 98mm	25655C02	14	cable pull adapters, angled 30°	980075.01
2	Brake hub complete 112x5/M12 Height: 135mm	405714C002	15	cable pull (1150/1310) stainless steel	980055.02
2	Brake hub complete 140x5/M14 Height: 135mm	405714N002	15	cable pull (1350/1510) stainless steel	980055.15
3	Cap Ø52.1mm	47117	15	cable pull (1650/1810) stainless steel	980055.01
4	flange nuts	407963.001	15	cable pull (1850/2010) stainless steel	980055.12
5	Angular Contact Ball Bearing Set Ø72mm 47306V		15	cable pull (2050/2210) stainless steel	980055.16
6	locking plates	46287	15	cable pull (2250/2410) stainless steel	980055.03
7	Cover plate	46290	16	sealing caps Ø20mm	44559.08
8	spring pin	D7346.008	17	Ball seat screw M12	46465.01
9	Hex bolt	D961.013			
10	brake shoe set	406166.001			
11	Document	41371			
12	wheel cylinders Ø28.57mm	412432.001			
12	wheel cylinders Ø25.40mm	33455			
12	wheel cylinders Ø22.20mm	102853			
12	wheel cylinders Ø19.05mm	36407			
12	wheel cylinders Ø15.87mm	100570			
13	straight cable pull adapters	980073.01			



Item	Description	Order-number	Item	Description	Order-number
1	Brake hub complete 112x5/M12 Height: 98mm Flywheel with 60 teeth	407415C002	13	wheel cylinders Ø28.57mm	412432.001
1	Brake hub complete 112x5/M12 Height: 98mm Flywheel with 40 teeth	401763C002	13	wheel cylinders Ø25.40mm	33455
2	Brake hub complete 112x5/M12 Height: 135mm Flywheel with 60 teeth	406321C002	13	wheel cylinders Ø22.20mm	102853
2	Brake hub complete 112x5/m12 Height: 135mm, flywheel with 34 teeth	405242C002	13	wheel cylinders Ø19.05mm	36407
2	Brake hub complete 140x5/M14 Height: 135mm Flywheel with 34 teeth	405242N002	13	wheel cylinders Ø15.87mm	100570
3	Cap Ø52.1mm	47117	14	straight cable pull adapters	980073.01
4	Flange nut	407963.001	15	cable pull adapters, angled 30°	980075.01
5	Angular Contact Ball Bearing Set Ø72mm 47306V		16	cable pull (1150/1310) stainless steel	980055.02
6	ABS sensor 90°	404080.001	16	cable pull (1350/1510) stainless steel	980055.15
6	ABS sensors straight	404658.001	16	cable pull (1650/1810) stainless steel	980055.01
7	locking plate	46287	16	cable pull (1850/2010) stainless steel	980055.12
8	Cover plate	46290	16	cable pull (2050/2210) stainless steel	980055.16
9	Tension pin	D7346.008	16	cable pull (2250/2410) stainless steel	980055.03
10	Hex bolts	D961.013	17	sealing caps Ø20mm	44559.08
11	brake shoe set	406166.001	18	Ball seat screw M12	46465.01
12	documents	41371			



Item	Description	Order-number	Item	Description	Order-number
1	Complete brake hub 112x5/M12 Height: 98mm	25655C02	14	cable pull (1850/2010) stainless steel	980055.12
2	Complete brake hub 112x5/M12 Height: 135mm	405714C002	14	cable pull (2050/2210) stainless steel	980055.16
2	Complete brake hub 140x5/M14 Height: 135mm	405714N002	14	cable pull (2250/2410) stainless steel	980055.03
3	Cap Ø52.1mm	47117	15	sealing caps Ø16mm	44569.03
4	Flange nut	407963.001	16	Ball seat screw M12	46465.01
5	Angular Contact Ball Bearing Set Ø72mm 47306V				
6	Adjustment Set	100721			
	Set of 7 springs	406004.001			
8	brake shoe set	403909.001			
9	wheel cylinders Ø28.57mm left	35746.01			
9	Wheel cylinders Ø28.57mm right	35746.02			
10	mudguard	413392.001			
11	pestles	421155.001			
12	straight cable pull adapters	980073.01			
13	cable pull adapters, angled 30°	980075.01			
14	cable pull (1150/1310) stainless steel	980055.02			
14	cable pull (1350/1510) stainless steel	980055.15			
14	cable pull (1650/1810) stainless steel	980055.01			



Item	Description	Order-number	Item	Description	Order-number
1	Complete brake hub 205x6/M18 Height: 134mm	412377P002	9	Reinforced cable pull (1530/1740) M10 and M16x1.5	980289.17
2	caps Ø88mm	37669	10	bowls	36341
3	flange nuts	417477.001	11	Towing eye	45207
4	Adjustment Set	100721	12	sealing caps Ø20mm	44559.08
	Set of 5 springs	416164.001	13	Flat collar nut	D74361.005
6	brake shoe set	416163.001	14	spring washer	D74361.006
7	complete spreader locks	45309			
8	cable pull ( 730/ 940)	33921-1.06			
8	cable pull ( 830/1040)	33921-1.07			
8	cable pull (1030/1240)	33921-1.11			
8	cable pull (1230/1440)	33921-1.14			
8	cable pull (1430/1640)	33921-1.16			
8	cable pull (1530/1740)	33921-1.17			
9	Reinforced cable pull (730/940) M10 and M16x1.5	980289.06			
9	Cable pull ( 830/1040) reinforced M10 and M16x1.5	980289.07			
9	Reinforced cable pull (1030/1240) M10 and M16x1.5	980289.11			
9	Reinforced cable pull (1230/1440) M10 and M16x1.5	980289.14			
9	Reinforced cable pull (1430/1640) M10 and M16x1.5	980289.16			



Item	Description	Order-number	Item	Description	Order-number
1	Complete brake hub 205x6/M18 Height: 134mm	412377P002	9	sealing caps Ø20mm	44559.08
2	caps Ø88mm	37669	10	flat collar nuts	D74361.005
3	flange nuts	417477.001	11	Spring washer	D74361.006
4	Adjustment Set	100721			
5	brake shoe set	416158.001			
6	Cable pull ( 730/ 940)	33921-1.06			
6	Cable pull ( 830/1040)	33921-1.07			
6	Cable pull (1030/1240)	33921-1.11			
6	Cable pull (1230/1440)	33921-1.14			
6	Pulley (1430/1640)	33921-1.16			
6	Pulley (1530/1740)	33921-1.17			
7	Reinforced cable pull (730/940) M10 and M16x1.5	980289.06			
7	Reinforced cable pull (830/1040) M10 and M16x1.5	980289.07			
7	Reinforced cable pull (1030/1240) M10 and M16x1.5	980289.11			
7	Reinforced cable pull (1230/1440) M10 and M16x1.5	980289.14			
7	Reinforced cable pull (1430/1640) M10 and M16x1.5	980289.16			
7	Reinforced cable pull (1530/1740) M10 and M16x1.5	980289.17			
8	bowls	36341			



Item	Description	Order-number	Item	Description	Order-number
1	Complete brake hub 130x6/M14 Height: 133mm	414102ZF02	9	Reinforced cable pull (1530/1740) M10 and M16x1.5	980289.17
2	caps Ø72.6mm	43299	10	bowls	36341
3	flange nuts	407963.001	11	Towing eye	45207
4	Adjustment Set	100721	12	sealing caps Ø20mm	44559.08
	Set of 5 springs	416164.001	13	Ball seat screw M14	43777.01
6	brake shoe set	416163.001			
7	complete spreader locks	45309			
8	cable pull ( 730/ 940)	33921-1.06			
8	cable pull ( 830/1040)	33921-1.07			
8	cable pull (1030/1240)	33921-1.11			
8	cable pull (1230/1440)	33921-1.14			
8	cable pull (1430/1640)	33921-1.16			
8	cable pull (1530/1740)	33921-1.17			
9	Reinforced cable pull (730/940) M10 and M16x1.5	980289.06			
9	Cable pull ( 830/1040) reinforced M10 and M16x1.5	980289.07			
9	Reinforced cable pull (1030/1240) M10 and M16x1.5	980289.11			
9	Reinforced cable pull (1230/1440) M10 and M16x1.5	980289.14			
9	Reinforced cable pull (1430/1640) M10 and M16x1.5	980289.16			



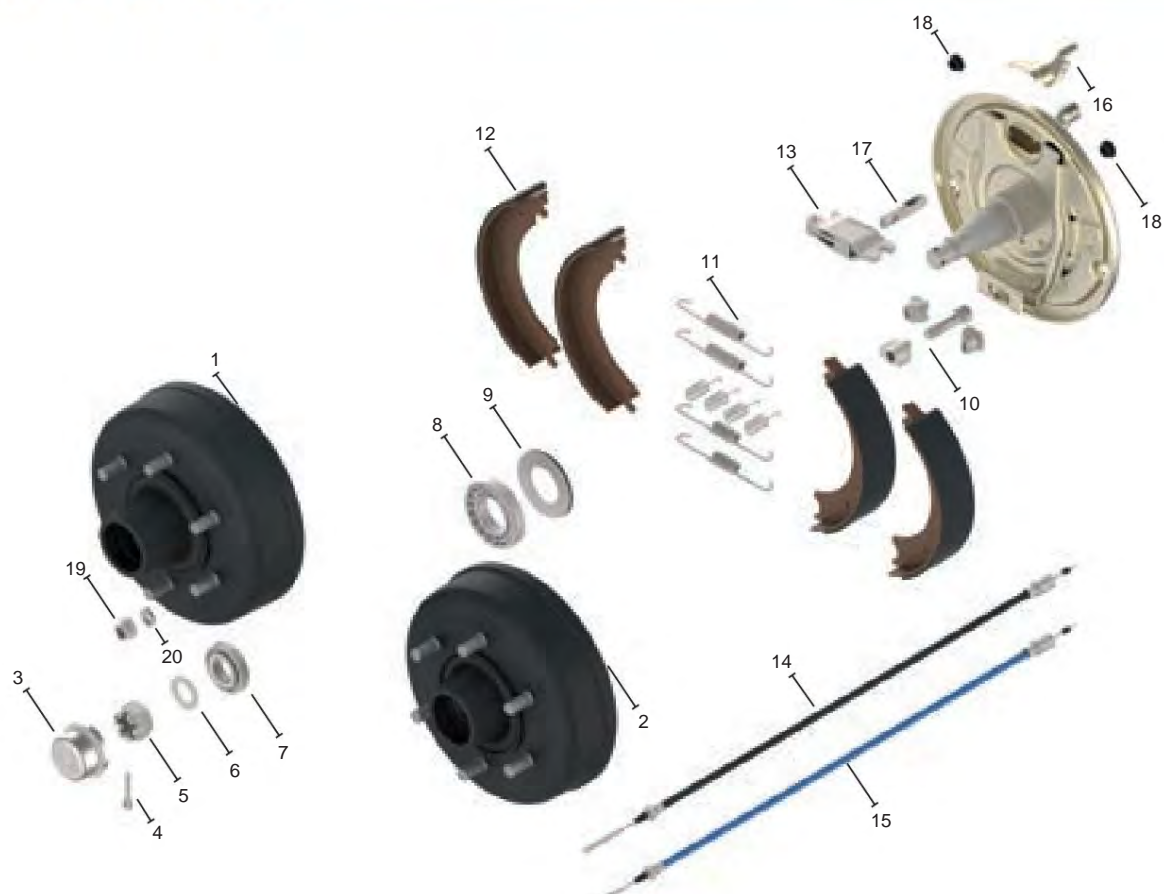
Item Description	Order-number	Item Description	Order-number
1 Brake hub complete <b>205x6/ M18</b> Height: 133mm	414102ZF02	9 sealing caps <b>Ø20mm</b>	44559.08
2 caps <b>Ø88mm</b>	37669	10 Ball Seat Screw <b>M14</b>	43777.01
3 flange nuts	417477.001		
4 Adjustment Set	100721		
5 brake shoe set	416158.001		
6 Cable pull ( 730/ 940)	33921-1.06		
6 Cable pull ( 830/1040)	33921-1.07		
6 Cable pull (1030/1240)	33921-1.11		
6 Cable pull (1230/1440)	33921-1.14		
6 Pulley (1430/1640)	33921-1.16		
6 Pulley (1530/1740)	33921-1.17		
7 Reinforced cable pull (730/940) M10 and M16x1.5	980289.06		
7 Reinforced cable pull (830/1040) M10 and M16x1.5	980289.07		
7 Reinforced cable pull (1030/1240) M10 and M16x1.5	980289.11		
7 Reinforced cable pull (1230/1440) M10 and M16x1.5	980289.14		
7 Reinforced cable pull (1430/1640) M10 and M16x1.5	980289.16		
7 Reinforced cable pull (1530/1740) M10 and M16x1.5	980289.17		
8 bowls	36341		



Item	Description	Order-number	Item Description	Order-number
1	Complete brake hub <b>205x6/M18</b> Height: 145mm	412249P002	15 drive pins <b>on the left</b>	410779.001
2	caps <b>Ø90mm</b>	417569.001	15 drive pins <b>on the right</b>	410779.002
3	retaining ring	D471.022	16 locking screw	45982.04
4	discs	408729.001	17 linkage adjusters	412197.001
5	axle nut <b>M42x1.5</b>	407895.001	18 Tension springs	408723.001
	Set of 6 springs	416258.001	19 locking levers	409744.001
7	brake shoe set	412541.001	20 cable pull (1460/2000)	33586.07
8	anchor bolts	407471.001	21 Flat collar nut	D74361.005
9	retaining ring	D471.011	22 Spring washer	D74361.006
10	Protective shield (as shown)	407443.001		
11	Protective shield (mirror image)	407443.002		
12	Hex bolt	D933.015		
13	<b>Left</b> brake shaft L = 134.5mm	407440.001		
13	<b>Right</b> brake shaft L = 134.5mm	407440.002		
13	<b>Left</b> brake shaft L = 446mm	409879.001		
13	<b>Right</b> brake shaft L = 446mm	409879.002		
14	Bushing set for version: <b>without locking</b> Bushing set	416249.002		
14	for version: <b>with locking</b>	416249.001		



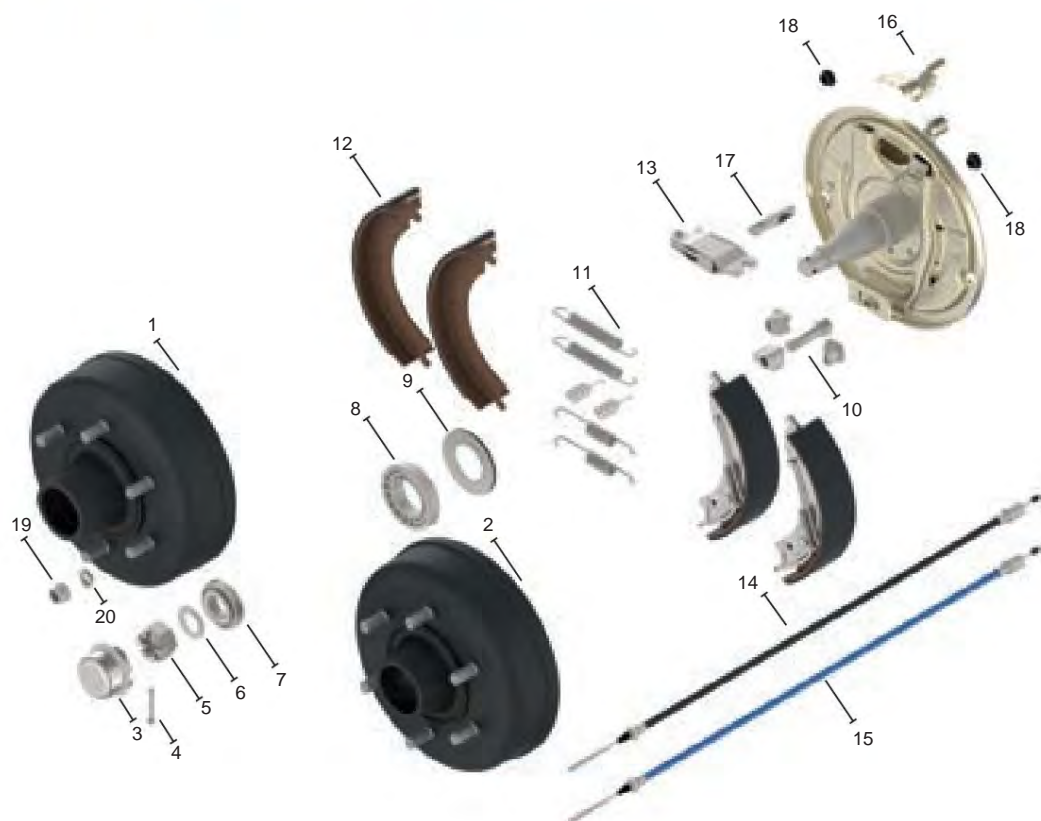
Item Description	Order-number	Item Description	Order-number
1 Complete brake hub <b>205x6/M18</b> Height: 145mm	407446P002	15 Bushing set for version: <b>without locking</b>	416249.002
2 caps <b>Ø90mm</b>	417569.001	15 Bushing set for version: <b>with locking mechanism</b>	416249.001
3 retaining ring	D471.022	16 drive pins <b>on the left</b>	410779.001
4 discs	408729.001	16 drive pins <b>on the right</b>	410779.002
5 axle nut <b>M42x1.5</b>	407895.001	17 locking screw	45982.04
6 ABS sensor <b>0°</b> Cable length: <b>350mm</b>	406908.001	18 linkage adjusters	412197.001
6 ABS sensor <b>0°</b> Cable length: <b>1700mm</b>	404658.001	19 Tension spring	408723.001
Set of 7 springs	416258.001	20 locking levers	409744.001
8 brake shoe set	412541.001	21 cable pull (1460/2000)	33586.07
9 anchor bolts	407471.001	22 Flat collar nut	D74361.005
10 retaining ring	D471.011	23 Spring washer	D74361.006
11 Protective shield (as shown) 407443.001			
12 Protective shield (mirror image) 407443.002			
13 Hex bolt	D933.015		
14 <b>Left</b> brake shaft L = <b>134.5mm</b>	407440.001		
14 <b>Right</b> brake shaft L = <b>134.5mm</b>	407440.002		
14 <b>Left</b> brake shaft L = <b>446mm</b>	409879.001		
14 <b>Right</b> brake shaft L = <b>446mm</b>	409879.002		



Item Description	Order-number	Item Description	Order-number
1 Brake hub 205x6/M18 Height: 187mm	25766P02	14 cable pull (1100/1360)	33983-1.07
2 Brake hub 205x6/M18 Height: 155mm	28863P02	14 cable pull (1200/1460)	33983-1.08
3 Cap Ø72.6mm	43299	14 cable pull (1300/1560)	33983-1.09
4 Splint	D94.019	14 cable pull (1400/1660)	33983-1.10
5 Crown nut for position 1 M30x2	46226.10	14 cable pull (1600/1860)	33983-1.12
5 Crown nut for position 2 M30x1.5	46226.11	15 cable pull (700/960) stainless steel	980145.02
6 discs	42990	15 cable pull ( 800/1060) stainless steel	980145.03
7 tapered roller bearings Ø72mm	45877.13	15 cable pull (900/1160) stainless steel	980145.04
8 tapered roller bearings Ø100mm	45877.17	15 cable pull (1000/1260) stainless steel	980145.06
9 Stop washer	41584	15 cable pull (1100/1360) stainless steel	980145.07
10 Adjustment Set	406167.001	15 cable pull (1200/1460) stainless steel	980145.08
Set of 11 springs	406168.001	15 cable pull (1400/1660) stainless steel	980145.10
12 brake shoe set	406169.001	15 cable pull (1600/1860) stainless steel	980145.12
13 Spreader lock	43123-1	16 bowls	33623
14 cable pull ( 700/ 960)	33983-1.02	17 Towing eye	44856
14 cable pull ( 800/1060)	33983-1.03	18 sealing caps Ø25mm	44559.11
14 cable pull ( 900/1160)	33983-1.04	19 Flat collar nut	D74361.005
14 cable pull (1000/1260)	33983-1.06	20 spring washers	D74361.006



Item	Description	Order-number	Item Description	Order-number
1	Complete brake hub 205x6/M18 Height: 144mm	25759P02	9 cable pull (900/1160) stainless steel	980145.04
2	caps Ø88mm	37669	9 cable pull (1000/1260) stainless steel	980145.06
3	Flange nut	417477.001	9 cable pull (1100/1360) stainless steel	980145.07
4	Adjustment Set	406167.001	9 cable pull (1200/1460) stainless steel	980145.08
	Set of 5 springs	406168.001	9 cable pull (1400/1660) stainless steel	980145.10
6	brake shoe set	406169.001	9 cable pull (1600/1860) stainless steel	980145.12
7	spreader lock	43123-1	10 bowls	33623
8	Cable pull (700/960)	33983-1.02	11 Towing eye	44856
8	Cable pull (800/1060)	33983-1.03	12 sealing caps Ø25mm	44559.11
8	Cable pull (900/1160)	33983-1.04	13 Flat collar nut	D74361.005
8	Cable pull (1000/1260)	33983-1.06	14 spring washer	D74361.006
8	Cable pull (1100/1360)	33983-1.07		
8	Cable pull (1200/1460)	33983-1.08		
8	Cable pull (1300/1560)	33983-1.09		
8	Cable pull (1400/1660)	33983-1.10		
8	Pulley system (1600/1860)	33983-1.12		
9	Cable pull (700/960) Stainless steel	980145.02		
9	Cable pull (800/1060) Stainless steel	980145.03		



Item	Description	Order-number	Item	Description	Order-number
1	Brake hub 205x6/M18 Height: 187mm	25766P02	14	cable pull (1100/1360)	33983-1.07
2	Brake hub 205x6/M18 Height: 155mm	28863P02	14	cable pull (1200/1460)	33983-1.08
3	Cap Ø72.6mm	43299	14	cable pull (1300/1560)	33983-1.09
4	Splint	D94.019	14	cable pull (1400/1660)	33983-1.10
5	Crown nut for position 1 M30x2	46226.10	14	cable pull (1600/1860)	33983-1.12
5	Crown nut for position 2 M30x1.5	46226.11	15	cable pull (700/960) stainless steel	980145.02
6	discs	42990	15	cable pull (800/1060) stainless steel	980145.03
7	tapered roller bearings Ø72mm	45877.13	15	cable pull (900/1160) stainless steel	980145.04
8	tapered roller bearings Ø100mm	45877.17	15	cable pull (1000/1260) stainless steel	980145.06
9	Stop washer	41584	15	cable pull (1100/1360) stainless steel	980145.07
10	Adjustment Set	406167.001	15	cable pull (1200/1460) stainless steel	980145.08
	Set of 11 springs	406170.001	15	cable pull (1400/1660) stainless steel	980145.10
12	brake shoe set	404115.001	15	cable pull (1600/1860) stainless steel	980145.12
13	Spreader lock	43123-1	16	bowls	33623
14	cable pull (700/960)	33983-1.02	17	Towing eye	44856
14	cable pull (800/1060)	33983-1.03	18	sealing caps Ø25mm	44559.11
14	cable pull (900/1160)	33983-1.04	19	Flat collar nut	D74361.005
14	cable pull (1000/1260)	33983-1.06	20	spring washers	D74361.006



Item	Description	Order-number	Item Description	Order-number
1	Complete brake hub <b>205x6/M18</b> Height: 144mm	25759P02	9 cable pull (900/1160) stainless steel	980145.04
2	caps <b>Ø88mm</b>	37669	9 cable pull (1000/1260) stainless steel	980145.06
3	Flange nut	417477.001	9 cable pull (1100/1360) stainless steel	980145.07
4	Adjustment Set	406167.001	9 cable pull (1100/1360) stainless steel	980145.08
	Set of 5 springs	406170.001	9 cable pull (1400/1660) stainless steel	980145.10
6	brake shoe set	404115.001	9 cable pull (1600/1860) stainless steel	980145.12
7	spreader lock	43123-1	10 bowls	33623
8	Cable pull (700/960)	33983-1.02	11 Towing eye	44856
8	Cable pull ( 800/1060)	33983-1.03	12 sealing caps <b>Ø25mm</b>	44559.11
8	Cable pull ( 900/1160)	33983-1.04	13 Flat collar nut	D74361.005
8	Cable pull (1000/1260)	33983-1.06	14 spring washer	D74361.006
8	Cable pull (1100/1360)	33983-1.07		
8	Cable pull (1200/1460)	33983-1.08		
8	Cable pull (1300/1560)	33983-1.09		
8	Cable pull (1400/1660)	33983-1.10		
8	Pulley system (1600/1860)	33983-1.12		
9	Cable pull (700/960) Stainless steel	980145.02		
9	Cable pull ( 800/1060) Stainless steel	980145.03		



Item	Description	Order-number	Item	Description	Order-number
1	Brake hub 205x6/M18 Height: 187mm	25766P02	15	cable pull (1650/1810) stainless steel	980055.01
2	caps Ø72.6mm	43299	15	cable pull (1850/2010) stainless steel	980055.12
3	Splint	D94.019	15	cable pull (2050/2210) stainless steel	980055.16
4	Crown Mother M30x2	46226.10	15	cable pull (2250/2410) stainless steel	980055.03
5	slices	42990	16	sealing caps Ø25mm	44559.11
6	Tapered roller bearing Ø72mm	45877.13	17	Flat collar nut	D74361.005
7	Tapered roller bearing Ø100mm	45877.17	18	spring washer	D74361.006
8	Stop disc	41584			
9	Adjustment Set	406167.001			
	Set of 10 springs	406171.001			
11	Brake shoe set for version: <b>without locking mechanism</b>	406172.001			
11	Brake shoe set for version: <b>with locking mechanism</b>	406173.001			
12	wheel cylinders Ø34.92mm	36645			
12	wheel cylinders Ø28.57mm	36646			
13	pestles	44913			
14	Stainless steel cable pull adapters	980088.06			
15	cable pull (1150/1310) stainless steel	980055.02			
15	cable pull (1350/1510) stainless steel	980055.15			



Item	Description	Order-number	Item	Description	Order-number
1	Brake hub <b>205x6/M18</b> Height: 155mm	28863P02	15	cable pull (1850/2010) stainless steel	980055.12
2	caps <b>Ø72.6mm</b>	43299	15	cable pull (2050/2210) stainless steel	980055.16
3	Splint	D94.019	15	cable pull (2250/2410) stainless steel	980055.03
4	Crown Mother <b>M30x1.5</b>	46226.11	16	sealing caps <b>Ø25mm</b>	44559.11
5	slices	42990	17	Flat collar nut	D74361.005
6	Tapered roller bearing <b>Ø72mm</b>	45877.13	18	spring washer	D74361.006
7	Tapered roller bearing <b>Ø100mm</b>	45877.17			
8	Stop disc	41584			
9	Adjustment Set	416464.001			
	Set of 10 springs	416457.001			
11	brake shoe set	416458.001			
12	wheel cylinders left <b>Ø34.92mm</b>	407558.001			
12	Wheel cylinder right <b>Ø34.92mm</b>	407558.002			
13	pestles	407345.001			
14	Stainless steel cable pull adapters	980088.06			
15	cable pull (1150/1310) stainless steel	980055.02			
15	cable pull (1350/1510) stainless steel	980055.15			
15	cable pull (1650/1810) stainless steel	980055.01			



Item	Description	Order-number	Item	Description	Order-number
1	Brake hub 205x6/M18 Height: 187mm	28593P02	15	cable pull (1850/2010) stainless steel	980055.12
2	caps Ø80.2mm	43651	15	cable pull (2050/2210) stainless steel	980055.16
3	Splint	D94.022	15	cable pull (2250/2410) stainless steel	980055.03
4	Crown Mother M36x1.5	46226.12	16	sealing caps Ø25mm	44559.11
5	slices	42990	17	Flat collar nut	D74361.005
6	Tapered roller bearing Ø80mm	45877.15	18	spring washer	D74361.006
7	tapered roller bearings Ø100mm	45877.21			
8	Stop disc	47335			
9	Adjustment Set	416464.001			
	Set of 10 springs	416457.001			
11	brake shoe set	416458.001			
12	wheel cylinders left Ø34.92mm	407558.001			
12	Wheel cylinder right Ø34.92mm	407558.002			
13	pestles	407345.001			
14	Stainless steel cable pull adapters	980088.06			
15	cable pull (1150/1310) stainless steel	980055.02			
15	cable pull (1350/1510) stainless steel	980055.15			
15	cable pull (1650/1810) stainless steel	980055.01			



Item Description	Order-number	Item Description	Order-number
1 Brake hub 205x6/M18 Height: 187mm	25766P02	15 cable pull (1350/1510) stainless steel	980055.15
2 Brake hub 205x6/M18 Height: 155mm	28863P02	15 cable pull (1650/1810) stainless steel	980055.01
3 Cap Ø72.6mm	43299	15 cable pull (1850/2010) stainless steel	980055.12
4 Splint	D94.019	15 cable pull (2050/2210) stainless steel	980055.16
5 Crown nut for position 1 M30x2	46226.10	15 cable pull (2250/2410) stainless steel	980055.03
5 Crown nut for position 2 M30x1.5	46226.11	16 sealing caps Ø25mm	44559.11
6 discs	42990	17 Flat collar nut	D74361.005
7 tapered roller bearings Ø72mm	45877.13	18 spring washer	D74361.006
8 tapered roller bearings Ø100mm	45877.17		
9 Stop washer	41584		
10 Adjustment Set	421426.001		
11 brake shoe set	406174.001		
12 wheel cylinders Ø34.92mm	25394		
12 wheel cylinders Ø28.57mm	36638		
12 wheel cylinders Ø22.22mm	418739.001		
13 Document	45028		
14 Stainless steel cable pull adapters	980088.06		
15 cable pull (1150/1310) stainless steel	980055.02		



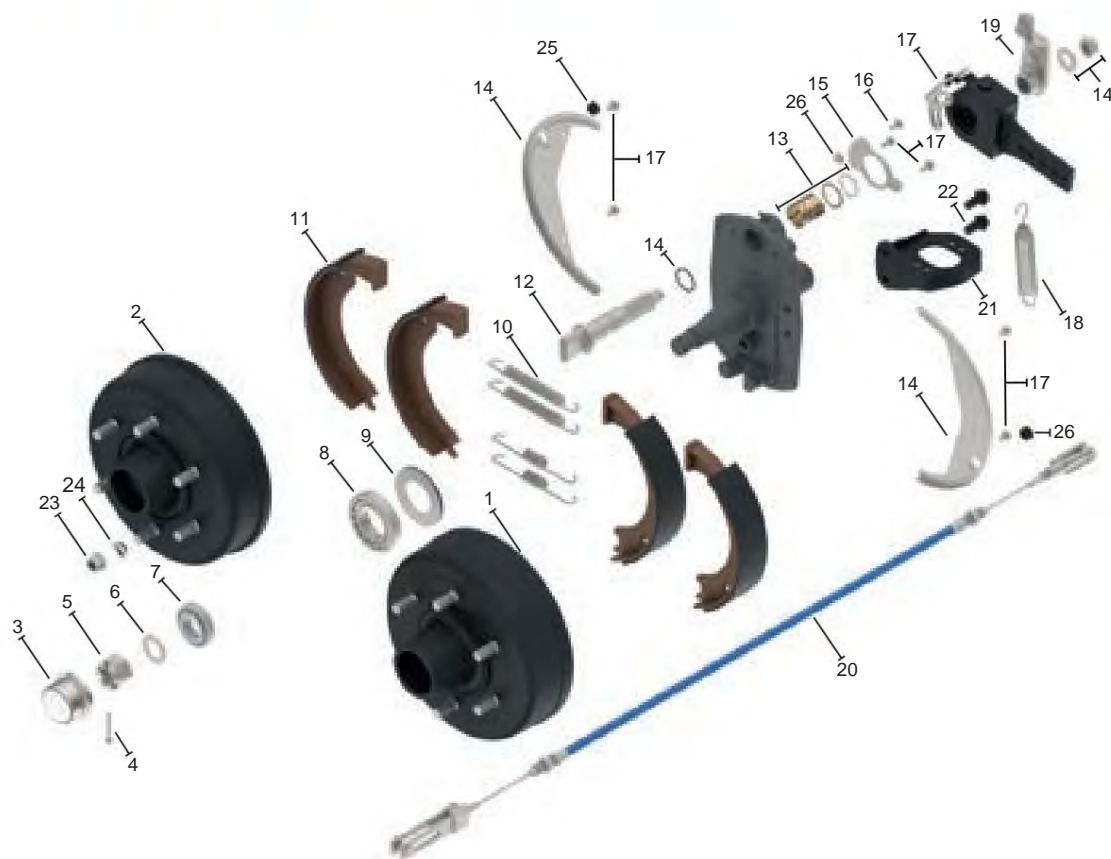
Item Description	Order-number	Item Description	Order-number
1 Complete brake hub 205x6/M18 Height: 144mm	25759P02	12 flat collar nuts	D74361.005
2 caps Ø88mm	37669	13 Spring washer	D74361.006
3 flange nuts	417477.001		
4 angular contact ball bearings Ø88mm	45887.12		
5 Adjustment Set	421426.001		
6 brake shoe set	406174.001		
7 wheel cylinders Ø34.92mm	25394		
7 wheel cylinders Ø28.57mm	36638		
7 wheel cylinders Ø22.22mm	418739.001		
8. Document	45028		
9 Stainless Steel Cable Adapters	980088.06		
10 cable pull (1150/1310) stainless steel	980055.02		
10 cable pull (1350/1510) stainless steel	980055.15		
10 cable pull (1650/1810) stainless steel	980055.01		
10 cable pull (1850/2010) stainless steel	980055.12		
10 cable pull (2050/2210) stainless steel	980055.16		
10 cable pull (2250/2410) stainless steel	980055.03		
11 sealing caps Ø25mm	44559.11		



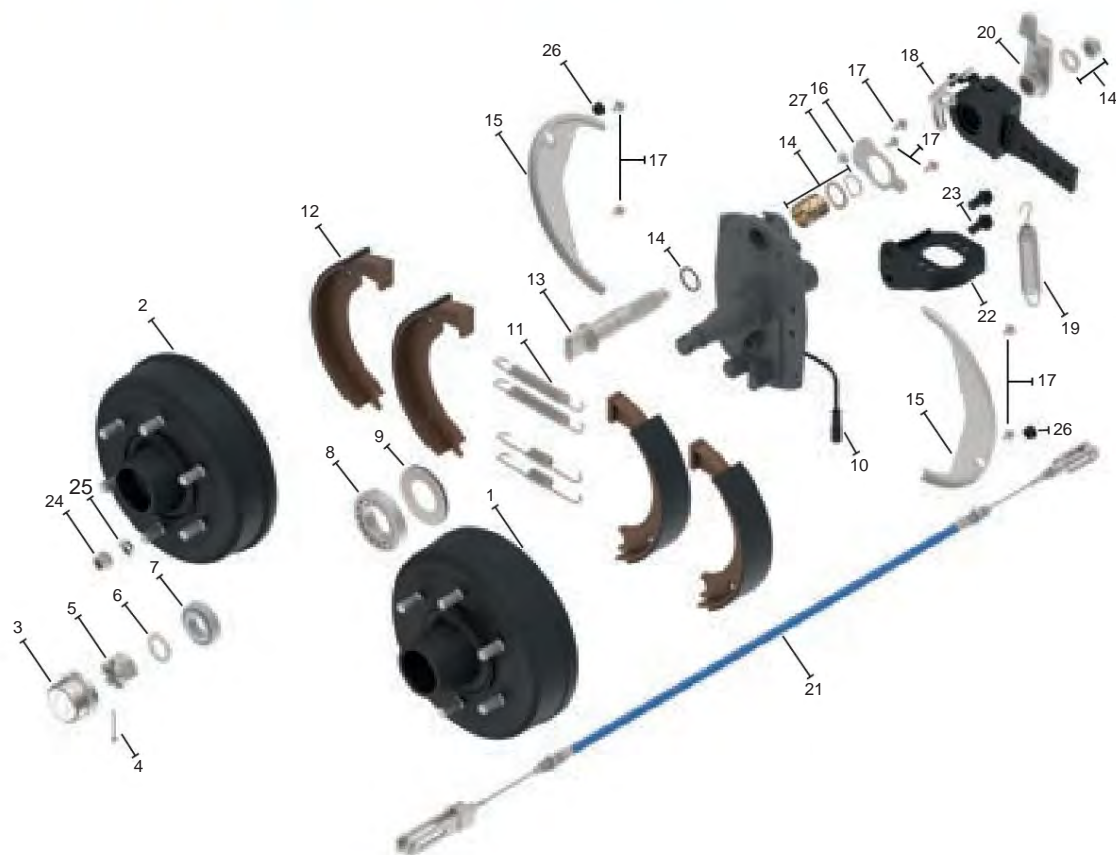
Item	Description	Order-number	Item	Description	Order-number
1	Brake hub 205x6/M18 Height: 187mm	27665P02	14	Document	45028
2	Brake hub 205x6/M18 Height: 155mm	29935P02	15	Stainless Steel Cable Pull Adapters	980088.06
3	Cap Ø72.6mm	43299	16	cable pull (1150/1310) stainless steel	980055.02
4	Splint	D94.019	16	cable pull (1350/1510) stainless steel	980055.15
5	Crown nut for position 1 M30x2	46226.10	16	cable pull (1650/1810) stainless steel	980055.01
5	Crown nut for position 2 M30x1.5	46226.11	16	cable pull (1850/2010) stainless steel	980055.12
6	discs	42990	16	cable pull (2050/2210) stainless steel	980055.16
7	tapered roller bearings Ø72mm	45877.13	16	cable pull (2250/2410) stainless steel	980055.03
8	tapered roller bearings Ø100mm	45877.17	17	sealing caps Ø25mm	44559.11
9	Stop washer	41584	18	Flat collar nuts	D74361.005
10	ABS sensors 90°	404080.001	19	spring washer	D74361.006
10	ABS sensors straight	404658.001			
11	Adjustment set	421426.001			
12	brake shoe set	406174.001			
13	wheel cylinders Ø34.92mm	25394			
13	wheel cylinders Ø31.80mm	100327			
13	wheel cylinders Ø28.57mm	36638			
13	wheel cylinders Ø22.22mm	418739.001			



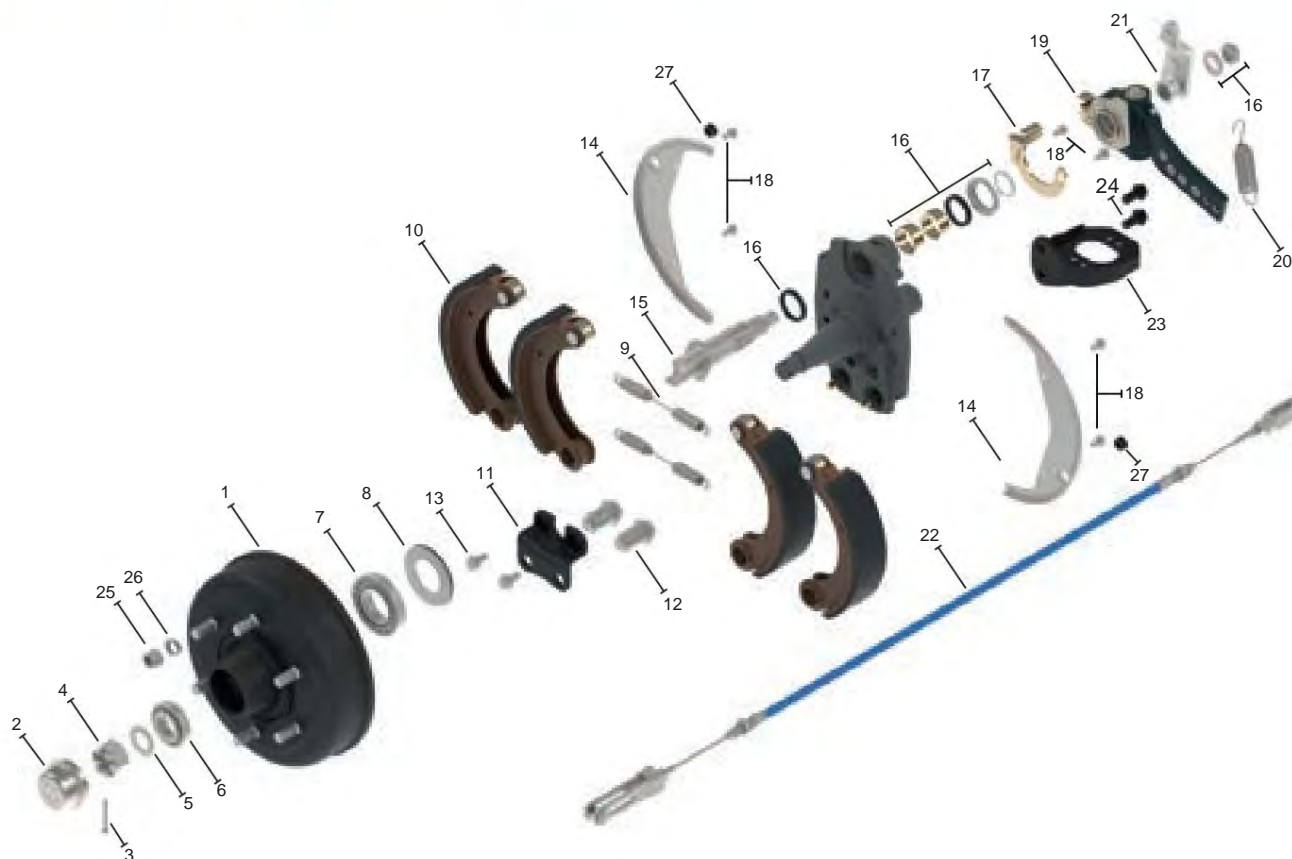
Item	Description	Order-number	Item	Description	Order-number
1	Brake hub 205x6/M18 Height: 187mm	25766P02	17	Cable pull (1460/2000) Stainless steel 413540.007	
2	Brake hub 205x6/M18 Height: 155mm	28863P02	18	Flat collar nuts	D74361.005
3	Cap Ø72.6mm	43299	19	spring washer	D74361.006
4	Splint	D94.019			
5	Crown nut for position 1 M30x2	46226.10			
5	Crown nut for position 2 M30x1.5	46226.11			
6	discs	42990			
7	Tapered roller bearing Ø72mm	45877.13			
8	Tapered roller bearing Ø100mm	45877.17			
9	Stop washer	41584			
10	Adjustment Set / Brake	406167.001			
11	spring set / axle	406175.001			
12	brake shoe set	406176.001			
13	Brake shaft	45083			
14	sockets 17.5mm	35067			
15	sockets 20.0mm	42597			
16	Brake lever right	34476.01			
16	Brake lever left	34476.02			



Item	Description	Order-number	Item	Description	Order-number
1	Brake hub <b>205x6/M18</b> Height: <b>187mm</b>	25766P02	17	Linkage adjusters <b>left</b>	37135.01
2	Brake hub <b>205x6/M18</b> Height: <b>154mm</b>	27028P02	17	<b>Right-hand</b> linkage adjuster	37135.02
3	Cap <b>Ø72.6mm</b>	43299	18	Tension springs	46162
4	Splint	D94.019	19	locking levers	38078
5	Crown nut for position 1 <b>M30x2</b>	46226.10	20	cable pull (1460/2000) stainless steel	413540.007
5	Crown nut for position 2 <b>M30x1.5</b>	46226.11	21	Brake cylinder console	25714
6	discs	42990	22	locking screw	45872.19
7	tapered roller bearings <b>Ø72mm</b>	45877.13	23	Flat collar nut	D74361.005
8	tapered roller bearings <b>Ø100mm</b>	45877.17	24	spring washers	D74361.006
9	Stop washer	41584	25	sealing plugs	44645
	Set of 10 springs	406177.001	26	Lock nut <b>M8</b>	46370.02
11	brake shoe set	406178.001			
12	Brake shaft	38077			
13	Bushing set for version: <b>without locking</b> Bushing set	416248.002			
13	for version: <b>with locking</b>	416248.001			
14	Protective shield	25978			
15	sheet metal	46532			
16	locking screw	45982.03			

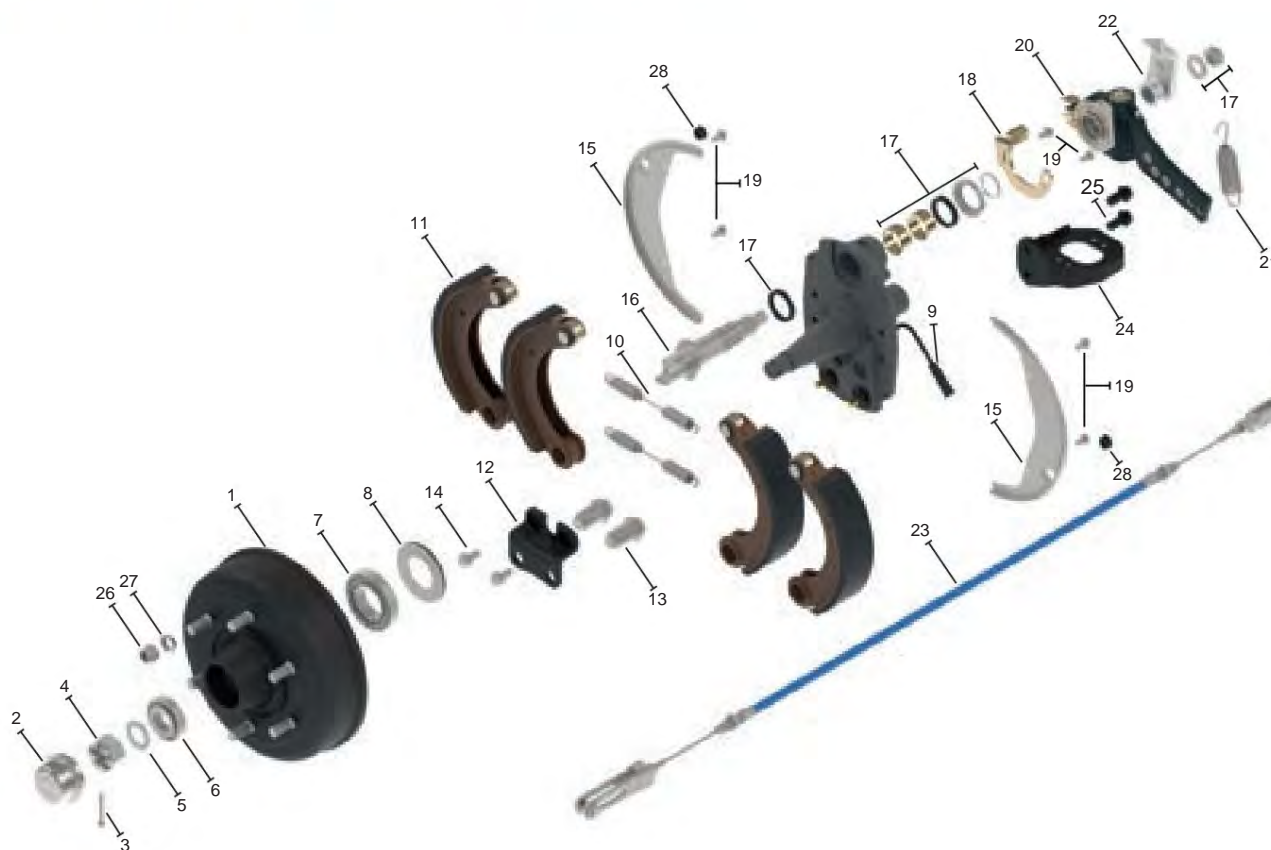


Item	Description	Order-number	Item	Description	Order-number
1	Brake hub 205x6/M18 Height: 187mm	13373P01	17	locking screw	45982.03
2	Brake hub 205x6/M18 Height: 154mm	28245P01	18	Linkage adjusters left	37135.01
3	Cap Ø72.6mm	43299	18	right-hand linkage adjusters	37135.02
4	Splint	D94.019	19	Tension spring	46162
5	Crown nut for position 1 M30x2	46226.10	20	locking levers	38078
5	Crown nut for position 2 M30x1.5	46226.11	21	cable pull (1460/2000) stainless steel	413540.007
6	discs	42990	22	Brake cylinder console	25714
7	tapered roller bearings Ø72mm	45877.13	23	locking screw	45872.19
8	tapered roller bearings Ø100mm	45877.17	24	flat collar nuts	D74361.005
9	Stop washer	41584	25	spring washers	D74361.006
10	ABS sensors 90°	404080.001	26	sealing plugs	44645
	Set of 11 springs	406177.001	27	Lock nut M8	46370.02
12	brake shoe set	406178.001			
13	Brake shaft	38077			
14	Bushing set for version: <b>without locking</b> Bushing set	416248.002			
14	for version: <b>with locking</b>	416248.001			
15	Protective shield	25978			
16	sheet metal	46532			

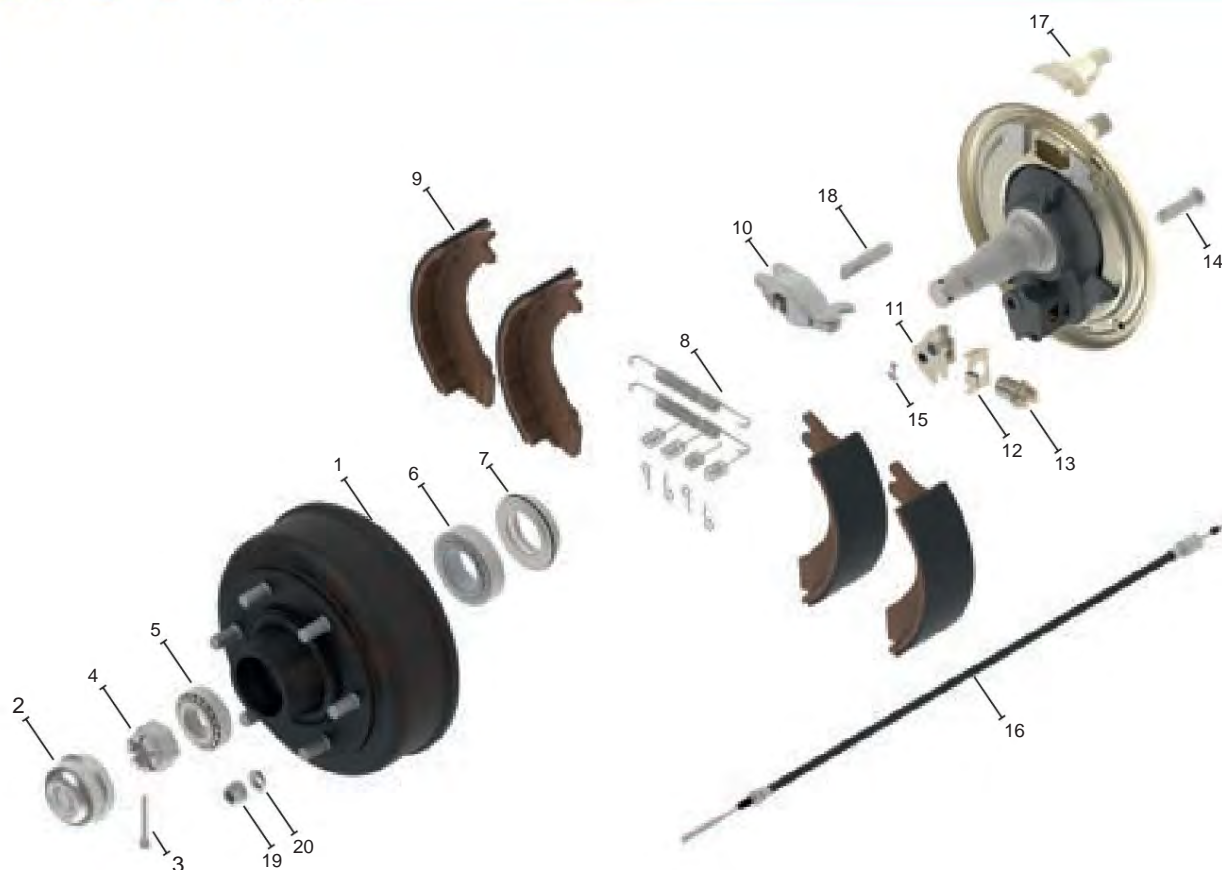
**KNOTT**
**Brake type: 30-4306**  
**Brake size: 300x60 S-cam**
**Design: Tapered roller bearing**  
**(with automatic linkage adjuster)**


Item	Description	Order-number	Item Description	Order-number
1	Brake hub 205x6/M18 Height: 154mm	27028P02	17 Left- hand drive	410779.001
2	caps Ø72.6mm	43299	17 drive pins on the right	410779.002
3	Splint	D94.019	18 locking screw	45982.04
4	Crown Mother M30x1.5	46226.11	19 Linkage adjusters left/right	410565.001
5	slices	42990	20 tension springs	46162
6	Tapered roller bearing Ø72mm	45877.13	21 Locking levers	38078
7	Tapered roller bearing Ø100mm	45877.17	22 Cable pull (1460/2000) Stainless steel 413540.007	
8	Stop disc	41584	23 Brake cylinder console	25714
	Set of 9 springs	406179.001	24 locking screw	45872.19
10	brake shoe set	406180.001	25 flat collar nuts	D74361.005
11	Support plate	403542.001	26 spring washer	D74361.006
12	anchor bolts	403536.001	27 sealing plugs	44559.05
13	locking screw	45872.14		
14	Protective shield	403543		
15	Brake shaft left	403537.001		
15	Brake shaft right	403537.002		
16	Bushing set for version: <b>without locking</b>	416249.002		
16	Bushing set for version: <b>with locking mechanism</b>	416249.001		

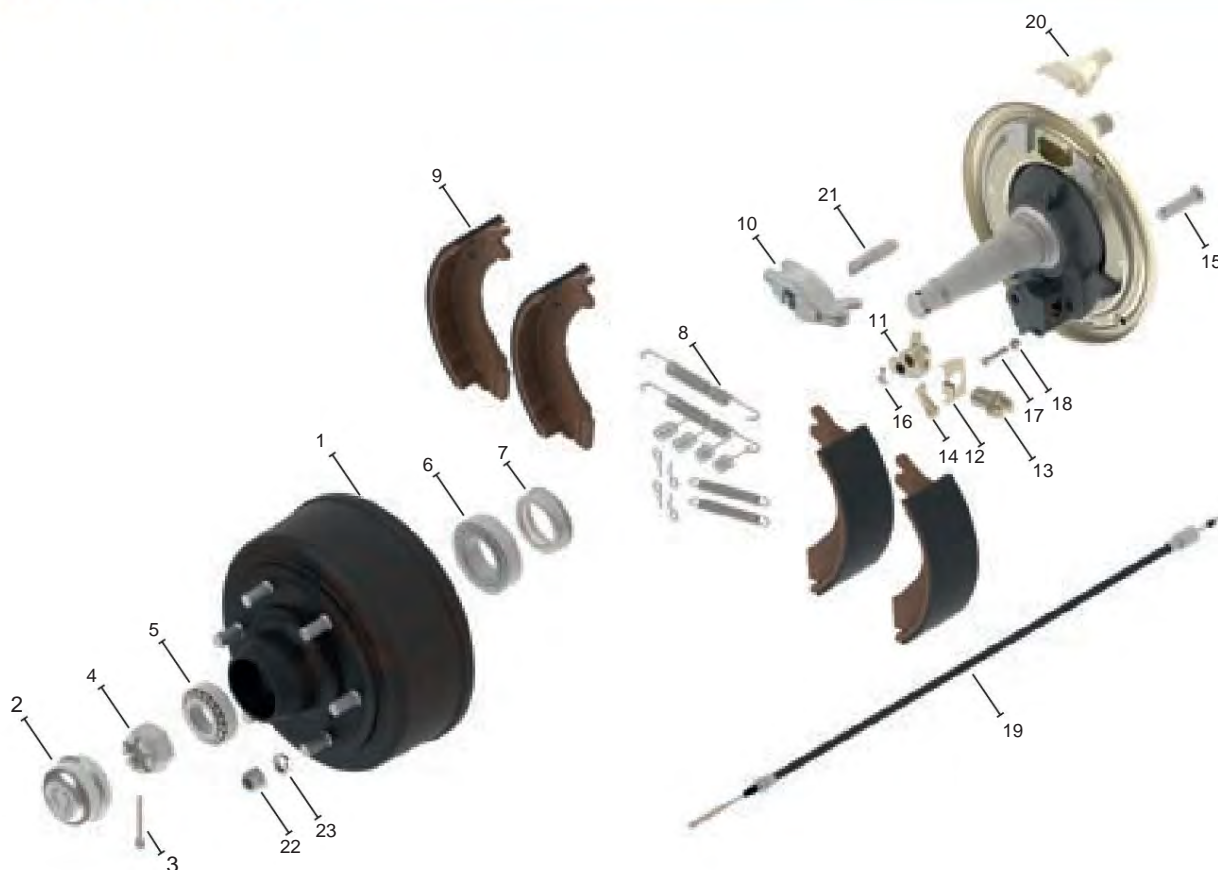
Please refer to the technical information. Subject to change without notice.



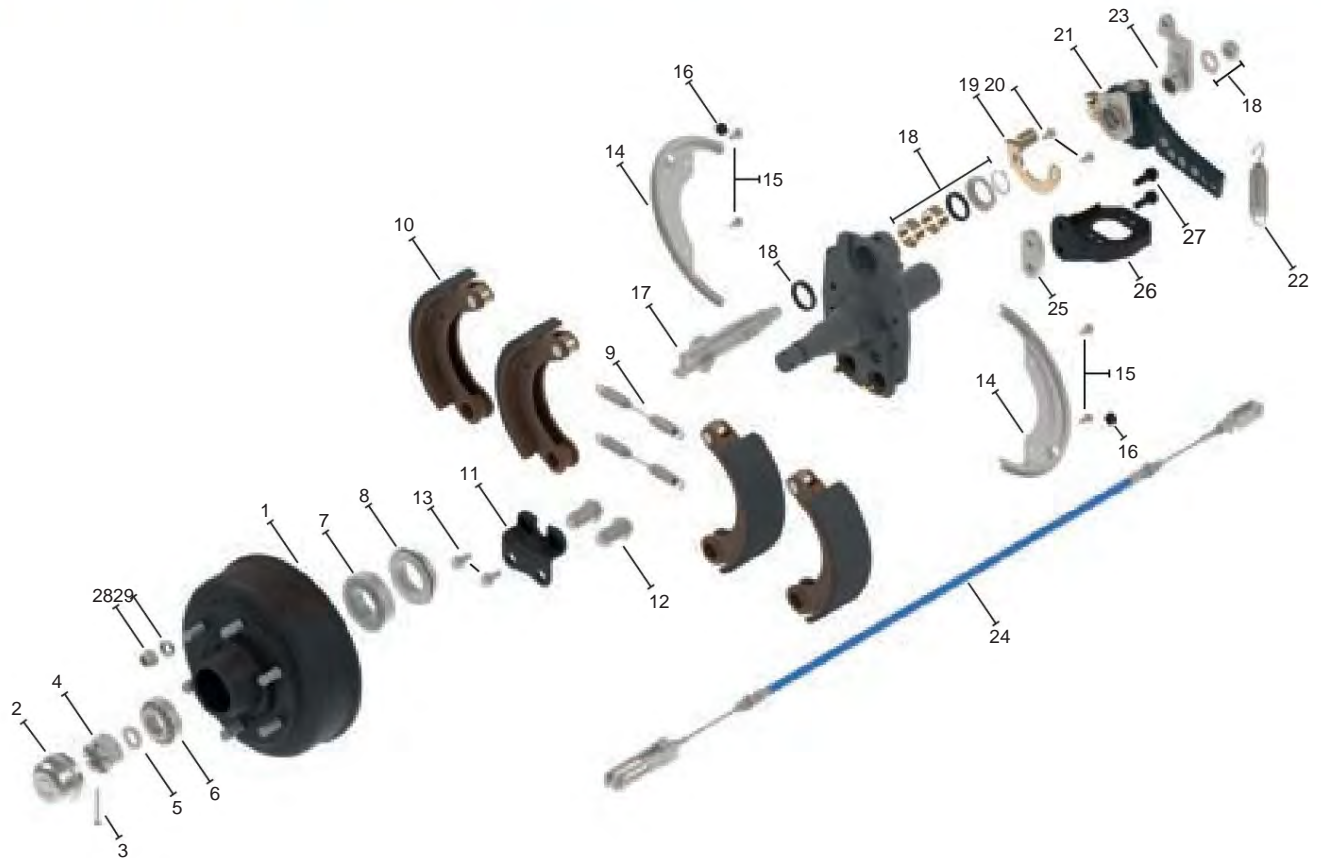
Item	Description	Order-number	Item	Description	Order-number
1	Brake hub 205x6/M18 Height: 154mm	403964P002	17	Bushing set for version: <b>with locking mechanism</b>	416249.001
2	caps Ø72.6mm	43299	18	drive pins <b>left</b>	410779.001
3	Splint	D94.019	18	drive pins <b>on the right</b>	410779.002
4	Crown Mother M30x1.5	46226.11	19	locking screw	45982.04
5	slices	42990	20	linkage adjusters <b>left/right</b>	410565.001
6	tapered roller bearings Ø72mm	45877.13	21	Tension spring	46162
7	tapered roller bearings Ø100mm	45877.17	22	locking levers	38078
8	Stop disc	41584	23	Cable pull (1460/2000) Stainless steel 413540.007	
9	ABS sensor 90°	404080.001	24	Brake cylinder console	25714
	Set of 10 springs	406179.001	25	locking screws	45872.19
11	brake shoe set	406180.001	26	flat collar nuts	D74361.005
12	Support plate	403542.001	27	Spring washer	D74361.006
13	anchor bolts	403536.001	28	sealing plugs	44559.05
14	locking screw	45872.14			
15	Protective shield	403543			
16	Brake shaft <b>left</b>	403537.001			
16	Brake shaft <b>right</b>	403537.002			
17	Bushing set for version: <b>without locking</b>	416249.002			



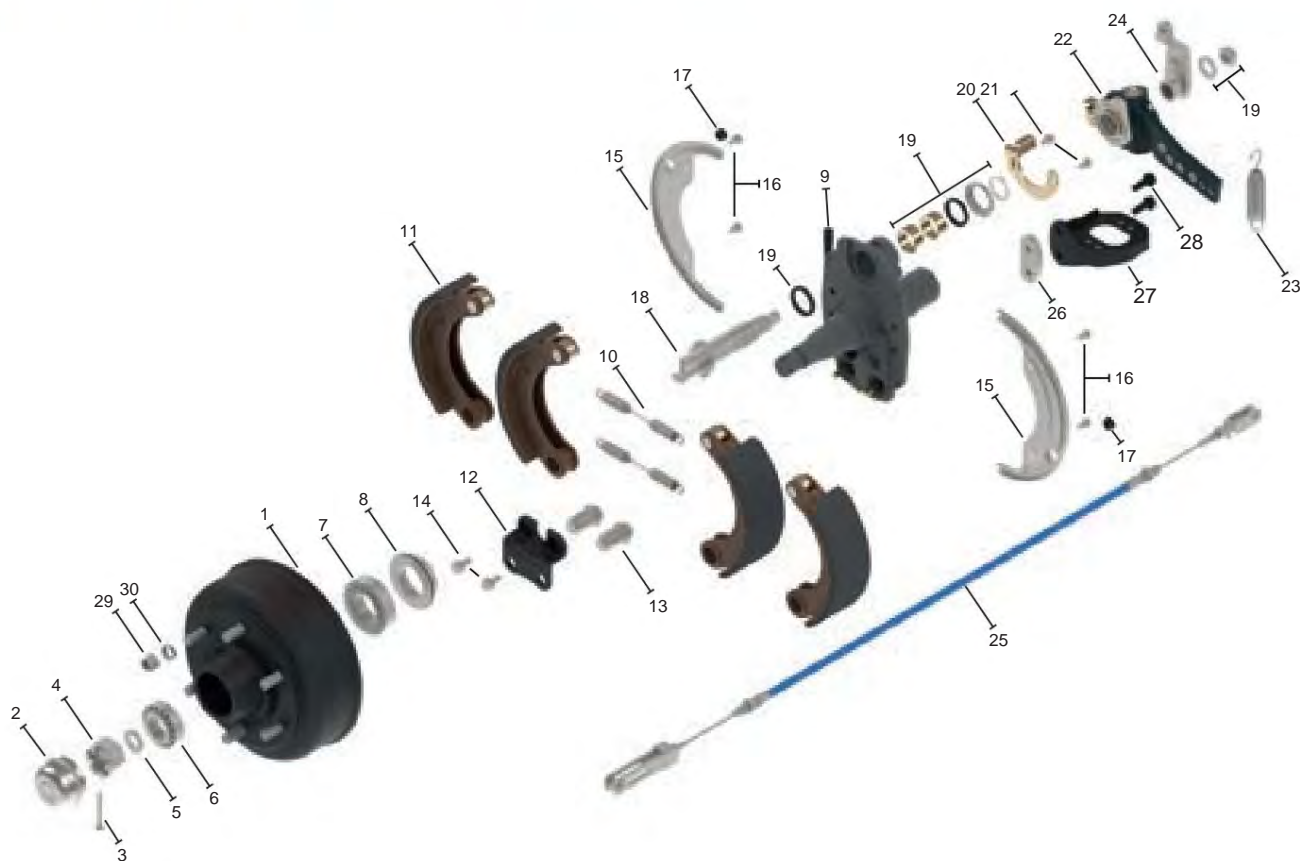
Item	Description	Order-number	Item	Description	Order-number
1	Brake hub 205x6/M18 Height: 187mm	28593P02	16	cable pull (1000/1260)	33983-1.06
2	caps Ø80.2mm	43651	16	cable pull (1100/1360)	33983-1.07
3	Splint	D94.022	16	cable pull (1200/1460)	33983-1.08
4	Crown Mother M36x3	D935.002	16	cable pull (1300/1560)	33983-1.09
5	tapered roller bearings Ø80mm	45877.15	16	cable pull (1400/1660)	33983-1.10
6	Tapered roller bearing Ø100mm	45877.21	16	cable pull (1600/1860)	33983-1.12
7	Stop washer	401633	17	bowls	33623
	Set of 8 springs	406325.001	18	Towing eye	44856
9	brake shoe set	406326.001	19	Flat collar nut	D74361.005
10	spreader lock	34768	20	spring washers	D74361.006
11	locking levers	45622			
12	locking plates	34767			
13	Adjusting nut	35446			
14	bolts	D1444.001			
15	Splint	D94.011			
	16 cable pull ( 700/ 960)	33983-1.02			
	16 cable pull ( 800/1060)	33983-1.03			
	16 cable pull ( 900/1160)	33983-1.04			



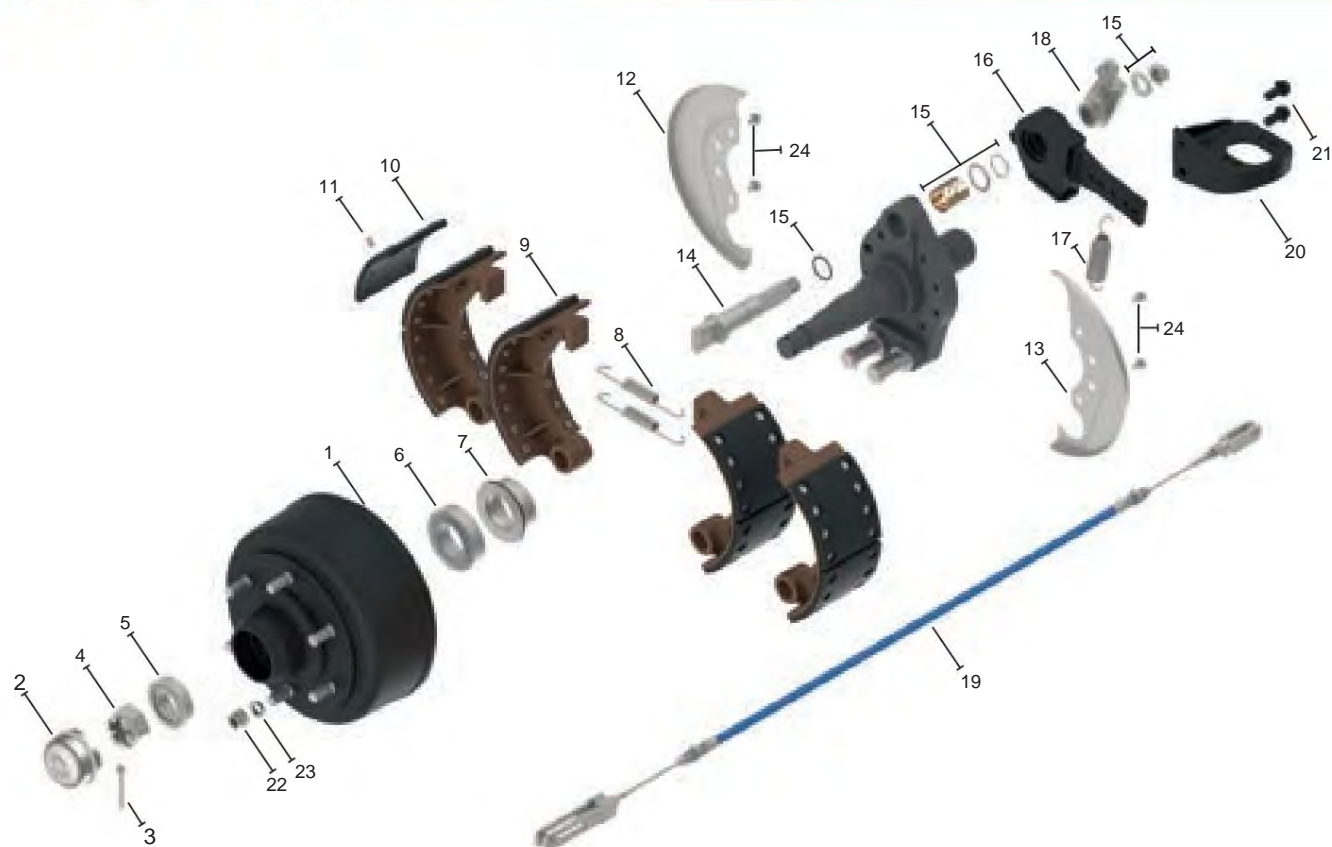
Item	Description	Order-number	Item	Description	Order-number
1	Brake hub 205x6/M18 Height: 187mm	28593P02	19	cable pull ( 700/ 960)	33983-1.02
2	caps Ø80.2mm	43651	19	cable pull ( 800/1060)	33983-1.03
3	Splint	D94.022	19	cable pull ( 900/1160)	33983-1.04
4	Crown Mother M36x3	D935.002	19	cable pull (1000/1260)	33983-1.06
5	tapered roller bearings Ø80mm	45877.15	19	cable pull (1100/1360)	33983-1.07
6	Tapered roller bearing Ø100mm	45877.21	19	cable pull (1200/1460)	33983-1.08
7	Stop washer	47335	19	cable pull (1300/1560)	33983-1.09
	Set of 8 springs	406327.001	19	cable pull (1400/1660)	33983-1.10
9	brake shoe set	406328.001	19	cable pull (1600/1860)	33983-1.12
10	spreader lock	34768	20	bowls	33623
11	reverse lever	35391	21	Towing eye	44856
12	locking plates	34767	22	Flat collar nut	D74361.005
13	Adjusting nut	35446	23	Spring washer	D74361.006
14	Locking latch	34764			
15	bolts	D1444.001			
16	Splint	D94.011			
17	Cylinder screw	45318			
18	Hex nuts	D985.010			



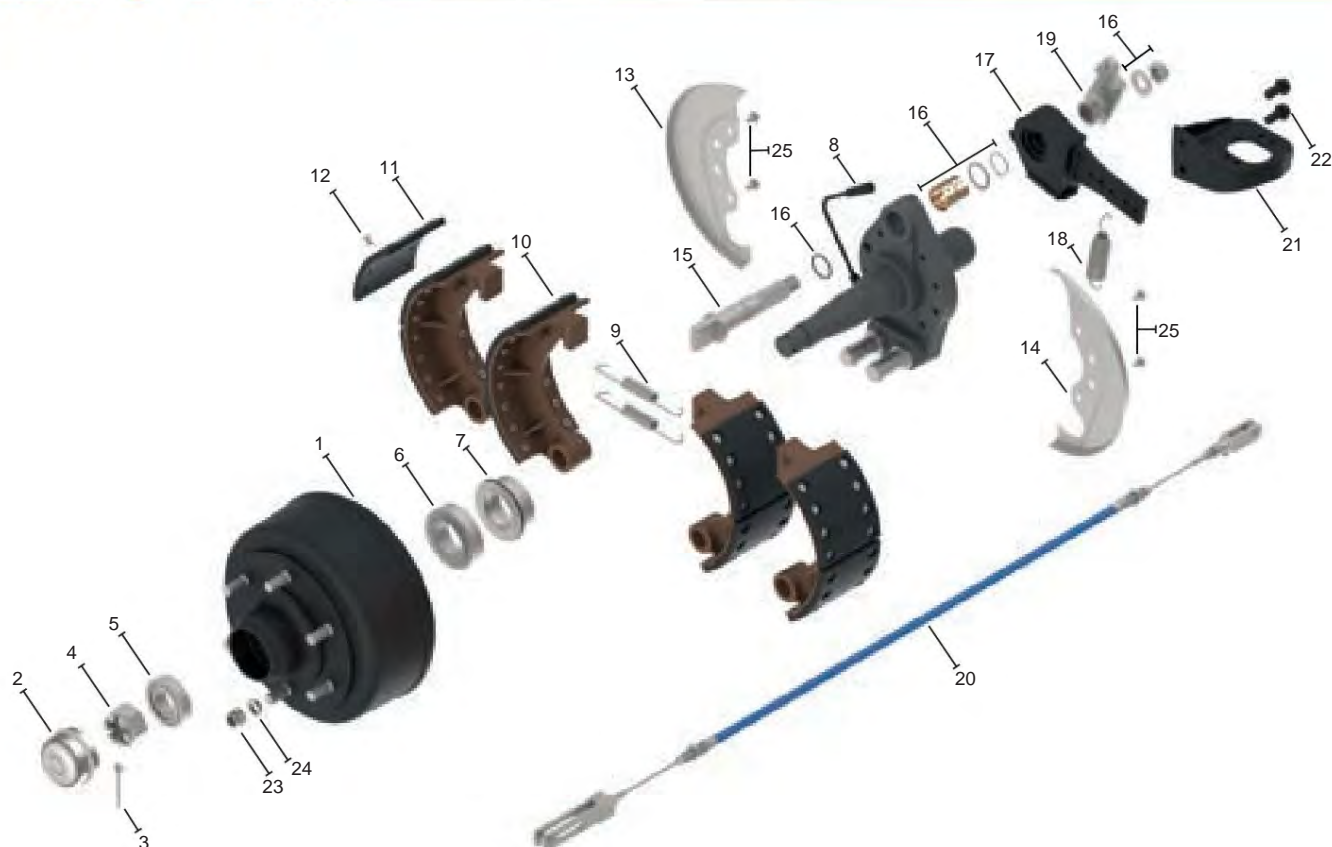
Item Description	Order-number	Item Description	Order-number
1 Brake hub <b>205x6/M18</b> Height: 187mm	28593P02	17 Brake shaft <b>right 525lg</b>	405369.001
2 caps <b>Ø80.2mm</b>	43651	17 Brake shaft <b>left 525lg</b>	405369.002
3 Splint	D94.022	18 Bushing set for version: <b>without locking</b> Bushing set	416249.002
4 Crown Mother <b>M36x1.5</b>	46226.12	18 for version: <b>with locking</b>	416249.001
5 slices	403545	19 <b>Left-hand drive</b>	410779.001
6 tapered roller bearings <b>Ø80mm</b>	45877.15	19 <b>right-hand drive</b>	410779.002
7 tapered roller bearings <b>Ø100mm</b>	45877.21	20 locking screws	45982.04
8 Stop disc	412563.001	21 Linkage adjusters <b>left/right</b>	410565.001
Set of 9 springs	406329.001	22 Tension spring	403544
10 brake shoe set	416144.001	23 Locking levers	38078
11 Support plate	403542.001	24 cable pull (1460/2000) Nirosta 413540.007	
12 anchor bolts <b>112x1.5</b>	403536.001	25 documents	408921.001
13 locking screw	45872.14	26 Brake cylinder console	25714
14 Protective shield	408920.001	27 locking screw	45872.19
15 locking screws	45872.17	28 Flat collar nut	D74361.005
16 sealing plugs	44559.05	29 spring washer	D74361.006
17 Brake shaft <b>right 210lg</b>	403537.001		
17 Brake shaft <b>left 210lg</b>	403537.002		



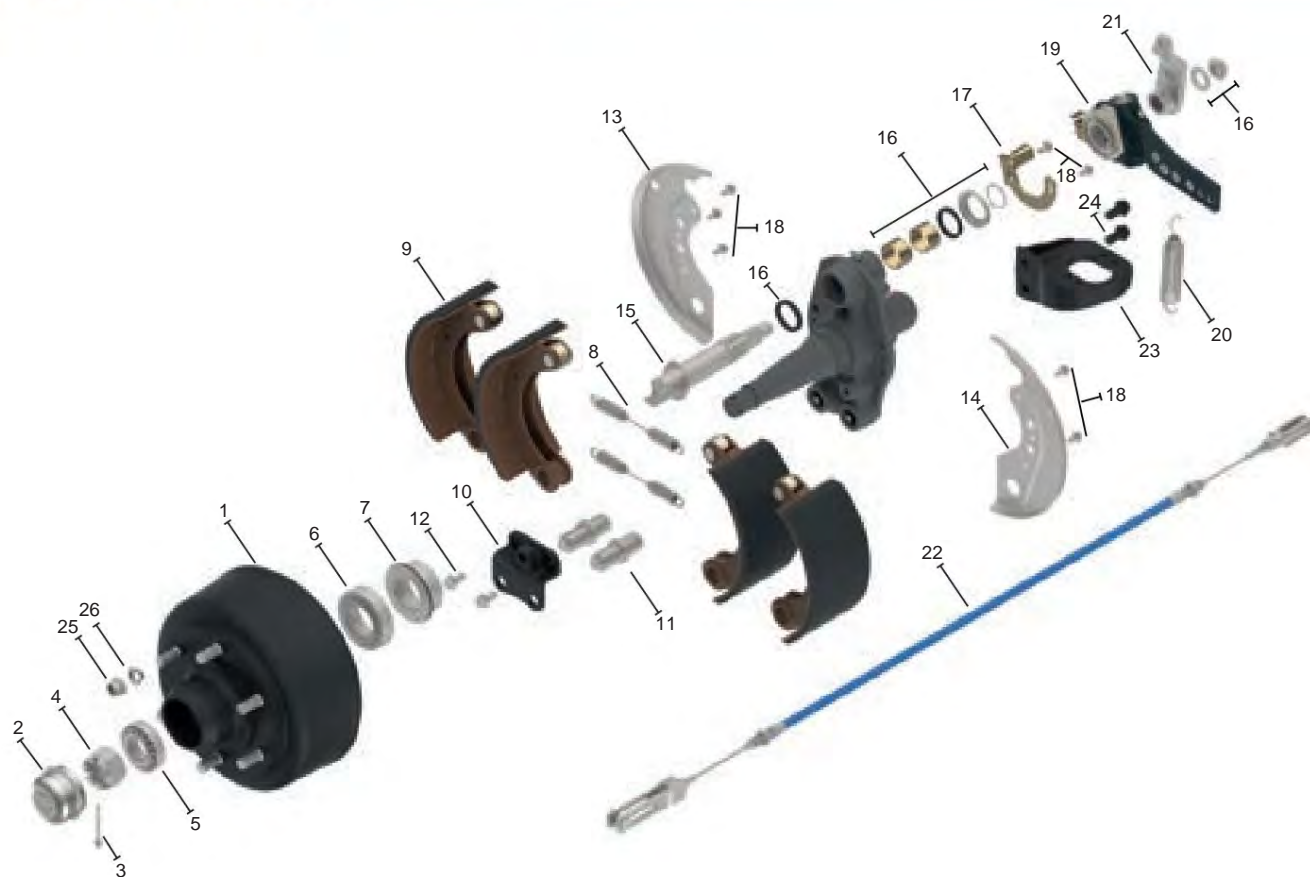
Item Description	Order-number	Item Description	Order-number
1 Brake hub <b>205x6/M18</b> Height: 187mm	408700P002	18 Brake shaft <b>left 210lg</b>	403537.002
2 caps <b>Ø80.2mm</b>	43651	18 Brake shaft <b>right 525lg</b>	405369.001
3 Splint	D94.022	18 Brake shaft <b>left 525lg</b>	405369.002
4 Crown Mother <b>M36x1.5</b>	46226.12	19 Bushing set for version: <b>without locking</b>	416249.002
5 slices	45966	19 Bushing set for version: <b>with determination</b>	416249.001
6 tapered roller bearings <b>Ø80mm</b>	45877.15	20 <b>Left-</b> hand drive	412145.001
7 tapered roller bearings <b>Ø100mm</b>	45877.21	20 <b>right-hand</b> drive	412145.002
8 Stop disc	47335	21 locking screw	45982.04
9 ABS sensor <b>90°</b>	404080.001	22 Linkage adjusters <b>left/right</b>	410565.001
Set of 10 springs	406329.001	23 Tension spring	46162
11 brake shoe set	416144.001	24 locking levers	38078
12 Support plate	403542.001	25 cable pull (1460/2000) Nirosta 413540.007	
13 anchor bolts <b>112x1.5</b>	403536.001	26 document	408921.001
14 locking screw	45872.14	27 Brake cylinder console	25714
15 Protective shield	408920.001	28 locking screw	45872.17
16 locking screw	45982.04	29 Flat collar nut	D74361.005
17 sealing plugs	44559.05	30 spring washers	D74361.006
18 Brake shaft <b>right 210lg</b>	403537.001		



Item	Description	Order-number	Item	Description	Order-number
1	Brake hub 205x6/M18 Height: 234mm	13651P02	17	Tension spring	46162
2	caps Ø80.2mm	43651	18	locking levers	38078
3	Splint	D94.022	19	cable pull (1460/2000)	413540.007
4	Crown Mother M36x3	D935.002	20	Brake cylinder console	29691
5	Tapered roller bearing Ø80mm	45877.15	21	locking screw	45872.19
6	Tapered roller bearing Ø100mm	45877.21	22	Flat collar nut	D74361.005
7	Stop washer	46279	23	Spring washer	D74361.006
	Set of 8 springs	416332.001	24	Hex bolt	D933.030
9	brake shoe set	416333.001			
10	brake pads	31675A.01			
11	rivet	D7338.008			
12	Cover plate left	22392.01			
13	Cover plate right	22392.02			
14	Brake shaft	38076			
15	Bushing set for version: <b>without locking</b>	416248.002			
15	Bushing set for version: <b>with locking mechanism</b>	416248.001			
16	Linkage adjusters left	37135.01			
16	right-hand linkage adjusters	37135.02			

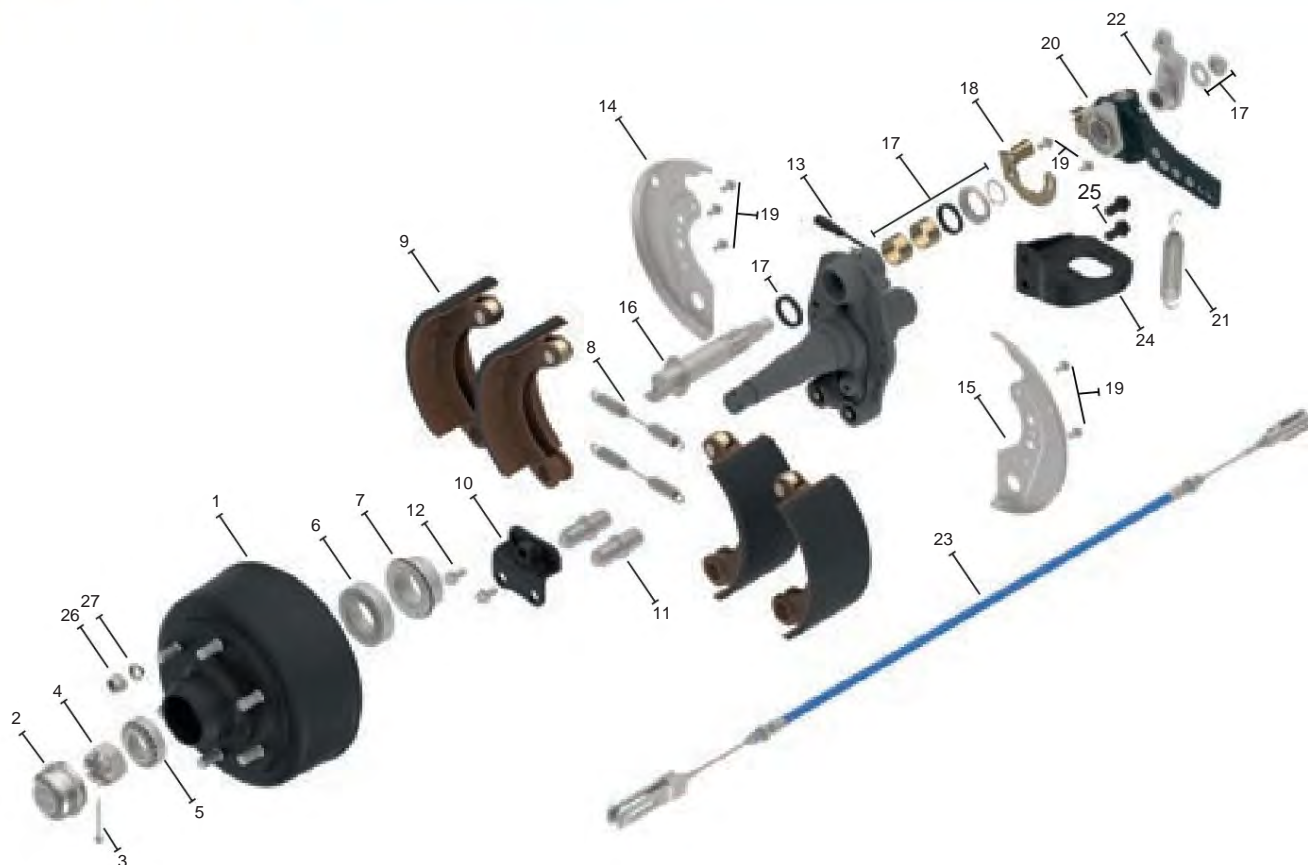


Item	Description	Order-number	Item	Description	Order-number
1	Brake hub 205x6/M18 Height: 234 mm	SK2833	17	Right-hand linkage adjuster	37135.02
2	caps Ø80.2mm	43651	18	Tension springs	46162
3	Splint	D94.022	19	locking levers	38078
4	Crown Mother M36x3	D935.002	20	cable pull (1460/2000) Nirosta 413540.007	
5	Tapered roller bearing Ø80mm	45877.15	21	Brake cylinder console	29691
6	Tapered roller bearing Ø100mm	45877.21	22	locking screw	45872.19
7	Stop washer	46279	23	Flat collar nut	D74361.005
8	ABS sensors for ABS 90°	404080.001	24	spring washers	D74361.006
	Set of 9 springs	416332.001	25	Hex bolt	D933.030
10	brake shoe set	416333.001			
11	Brake pad	31675A.01			
12	rivets	D7338.008			
13	Cover plate left	22392.01			
14	Cover plate right	22392.02			
15	Brake shaft	38076			
16	Bushing set for version: <b>without locking</b>	416248.002			
16	Bushing set for version: <b>with locking mechanism</b>	416248.001			
17	Linkage adjusters left	37135.01			

**KNOTT**
**Brake type: 30-4307**  
**Brake size: 300x120 S-cam**
**Design: Tapered roller bearing**  
**(with automatic linkage adjuster)**


Item	Description	Order-number	Item	Description	Order-number
1	Brake hub 205x6/M18 Height: 234mm	13651P02	17	Left- hand drive	410779.001
2	caps Ø80.2mm	43651	17	right-hand drive	410779.002
3	Splint	D94.022	18	locking screw	45982.04
4	Crown Mother M36x1.5	46226.12	19	Linkage adjusters left/right	410565.001
5	tapered roller bearings Ø80mm	45877.15	20	tension springs	46162
6	tapered roller bearings Ø100mm	45877.21	21	Locking levers	38078
7	Stop washer	46279	22	cable pull (1460/2000) stainless steel	413540.007
	Set of 8 springs	406329.001	23	Brake cylinder console	29691
9	brake shoe set	406330.001	24	locking screw	45872.19
10	Support plate	403771.001	25	flat collar nuts	D74361.005
11	anchor bolts 112x1.5	403772.001	26	spring washer	D74361.006
12	locking screws	45872.17			
13	Protective shield left	404087.001			
14	Protective shield right	404087.002			
15	Brake shaft right	403768.001			
15	Brake shaft left	403768.002			
16	Bushing set for version: <b>without locking</b> Bushing set	416297.002			
16	for version: <b>with locking</b>	416297.001			

Please refer to the technical information. Subject to change without notice.



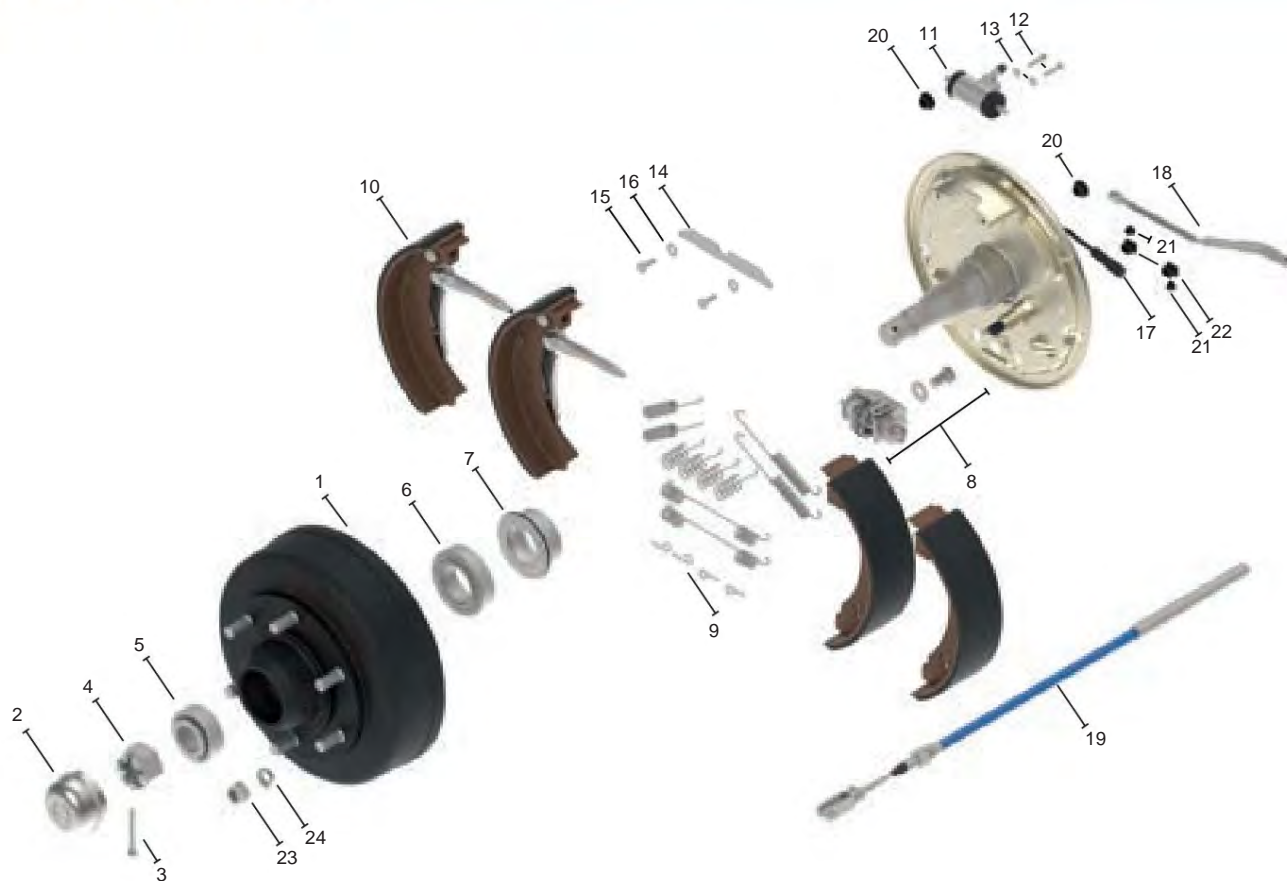
Item	Description	Order-number	Item	Description	Order-number
1	Brake hub 205x6/M18 Height: 234mm	403602P002	17	Bushing set for version: <b>with locking mechanism</b>	416297.001
2	caps Ø80.2mm	43651	18	<b>Left-</b> hand drive	410779.001
3	Splint	D94.022	18	<b>right-</b> hand drive	410779.002
4	Crown Mother M36x1.5	46226.12	19	locking screw	45982.04
5	tapered roller bearings Ø80mm	45877.15	20	linkage adjusters <b>left/right</b>	410565.001
6	tapered roller bearings Ø100mm	45877.21	21	Tension spring	46162
7	Stop washer	46279	22	locking levers	38078
	Set of 8 springs	406329.001	23	cable pull (1460/2000) stainless steel	413540.007
9	brake shoe set	406330.001	24	Brake cylinder console	29691
10	Support plate	403771.001	25	locking screws	45872.19
11	anchor bolts 112x1.5	403772.001	26	flat collar nuts	D74361.005
12	locking screws	45872.17	27	Spring washer	D74361.006
13	ABS sensor 90°	404080.001			
14	Protective shield <b>left</b>	404087.001			
15	Protective shield <b>right</b>	404087.002			
16	Brake shaft <b>right</b>	403768.001			
16	Brake shaft <b>left</b>	403768.002			
17	Bushing set For version: <b>without determination</b>	416297.002			



Item	Description	Order-number	Item	Description	Order-number
1	Brake hub 205x6/M18 Height: 187mm	40511P002	12	cable pull (1400/1660) Nirosta 33983-1.10	
2	caps Ø80.2mm	43651	12	Cable pull (1600/1860) Stainless steel 33983-1.12	
3	Splint	D94.022	13	Cable pull (700/960) Stainless steel 980145.02	
4	Crown Mother M36x3	D935.002	13	Cable pull ( 800/1060) Stainless steel 980145.03	
5	tapered roller bearings Ø80mm	45877.19	13	Cable pull ( 900/1160) Stainless steel 980145.04	
6	Tapered roller bearing Ø100mm	45877.21	13	Cable pull (1000/1260) Stainless steel 980145.06	
7	Stop washer	46279	13	Cable pull (1100/1360) Stainless steel 980145.07	
8	Adjustment Set	406333.001	13	Cable pull (1200/1460) Stainless steel 980145.08	
	Set of 9 springs	406334.001	13	Cable pull (1400/1660) Stainless steel 980145.10	
10	brake shoe set	406335.001	13	Cable pull (1600/1860) Stainless steel 980145.12	
11	Spreader lock	43123-1	14	bowls	33623
12	cable pull ( 700/ 960)	33983-1.02	15	Towing eye	44856
12	cable pull ( 800/1060)	33983-1.03	16	sealing plugs Ø25mm	44559.11
12	cable pull (900/1160)	33983-1.04	17	Flat collar nut	D74361.005
12	cable pull (1000/1260)	33983-1.06	18	spring washer	D74361.006
12	cable pull (1100/1360)	33983-1.07			
12	cable pull (1200/1460)	33983-1.08			
12	cable pull (1300/1560)	33983-1.09			



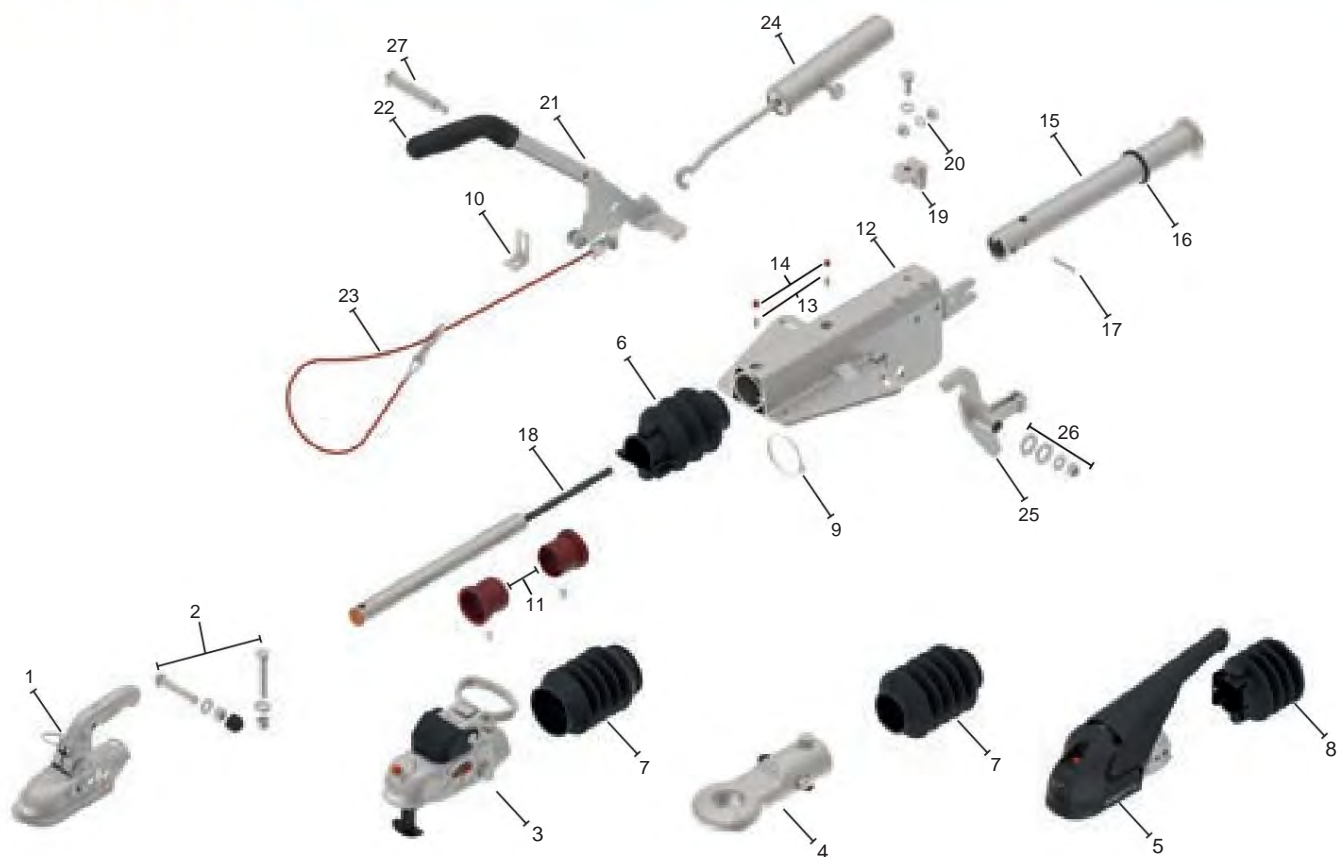
Item	Description	Order-number	Item	Description	Order-number
1	Brake hub 205x6/M18 Height: 187mm	40511P002	18	Rope pull (1723/1844) Stainless steel	980161.02
2	caps Ø80.2mm	43651	18	cable pull (2238/2408) stainless steel	980161.03
3	Splint	D94.022	19	sealing caps Ø25mm	44559.11
4	Crown Mother M36x3	D935.002	20	sealing caps Ø14mm	44559.03
5	tapered roller bearings Ø80mm	45877.19	21	square plugs	44564.01
6	Tapered roller bearing Ø100mm	45877.21	22	Flat collar nut	D74361.005
7	Stop washer	46279	23	Spring washer	D74361.006
8	Adjustment Set	421473.001			
	Set of 9 springs	406331.001			
10	brake shoe set	406332.001			
11	wheel cylinders	33179			
12	Hex bolt	D933.011			
13	Spring washer	44955.06			
14	Low-level support	44216			
15	Hex bolt	D933.007			
16	spring washer	44955.06			
17	Cable pull adapters , angled 30°	980149.01			
18	cable pull (1555/1712) stainless steel	980161.01			



Item	Description	Order-number	Item	Description	Order-number
1	Brake hub <b>205x6/M18</b> Height: 187mm	404092P002	18	cable pull adapters, <b>angled 30°</b>	980149.01
2	caps <b>Ø80.2mm</b>	43651	19	Rope pull (1555/1712) Stainless steel	980161.01
3	Splint	D94.022	19	Rope pull (1723/1844) Stainless steel	980161.02
4	Crown Mother <b>M36x3</b>	D935.002	19	Cable pull (2238/2408) Stainless steel	980161.03
5	tapered roller bearings <b>Ø80mm</b>	45877.19	20	sealing caps <b>Ø25mm</b>	44559.11
6	tapered roller bearings <b>Ø100mm</b>	45877.21	21	sealing caps <b>Ø14mm</b>	44559.03
7	Stop washer	46279	22	square plugs	44564.01
8	Adjustment Set	421473.001	23	Flat collar nut	D74361.005
9	Set of 9 springs	406331.001	24	spring washers	D74361.006
10	brake shoe set	406332.001			
11	wheel cylinders	33179			
12	Hex bolt	D933.011			
13	Spring washer	44955.06			
14	Low-level support	44216			
15	Hex bolt	D933.007			
16	spring washer	44955.06			
17	ABS sensor <b>90°</b>	404080.001			
17	ABS sensor <b>straight</b>	404658.001			



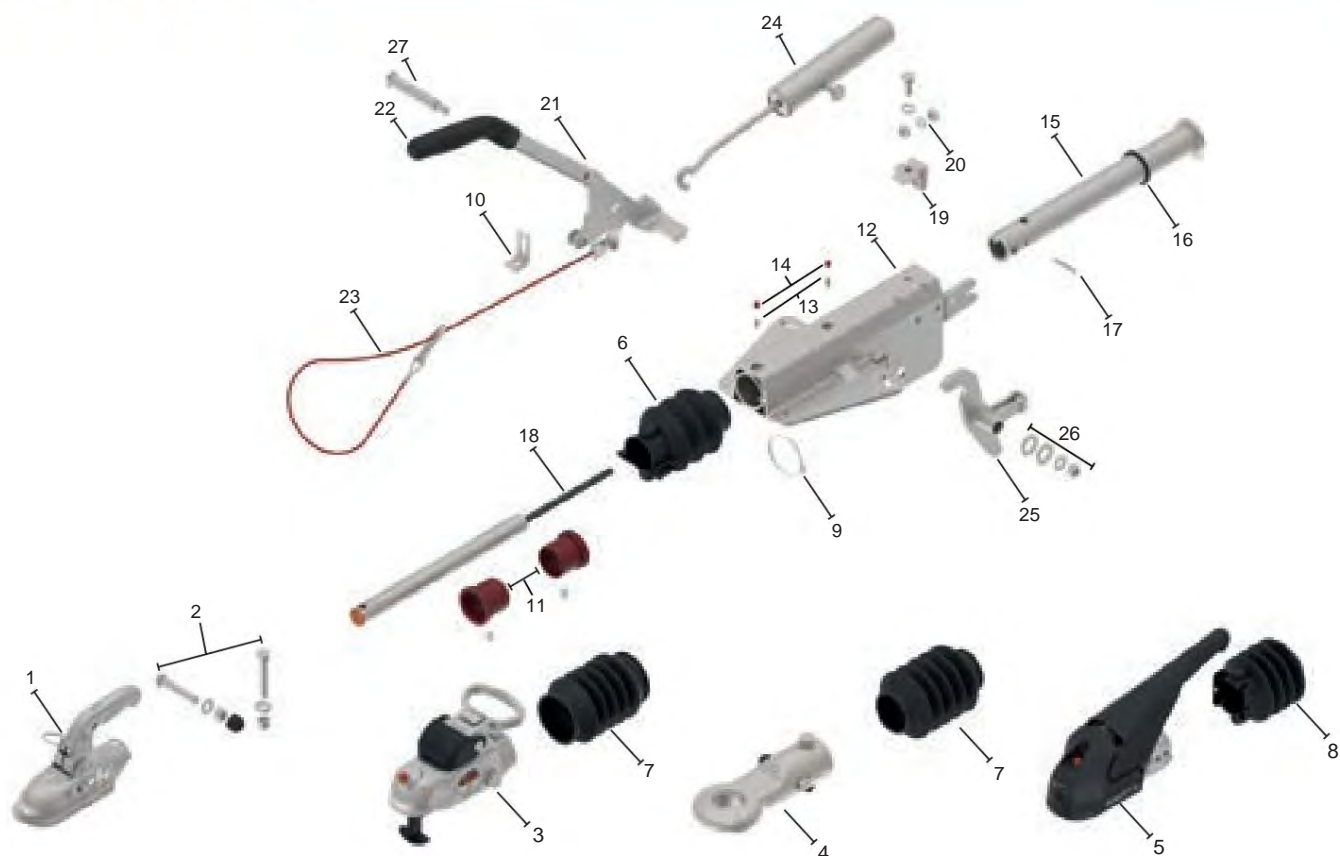
Item	Description	Order-number
1	Brake hub <b>205x6/M18</b> Height: 187mm	413773P002
2	caps <b>Ø80.2mm</b>	43651
3	Splint	D94.022
4	Crown Mother <b>M36x1.5</b>	46226.12
5	tapered roller bearings <b>Ø80mm</b>	45877.19
6	tapered roller bearings <b>Ø100mm</b>	45877.21
7	Stop washer	46279
8	Adjustment Set	406333.001
	Set of 9 springs	103232064
10	brake shoe set	415298.002
11	wheel cylinders	420483.001
12	cable pull adapters , <b>angled 25°</b>	980260.01
13	Cable pull (1555/1712) Stainless steel	980161.01
13	Rope pull (1723/1844) Stainless steel	980161.02
13	Cable pull (2238/2408) Stainless steel	980161.03
14	sealing plugs <b>Ø25mm</b>	44559.11
15	flat collar nuts	D74361.005
16	spring washer	D74361.006



Position			Position		
1	ball coupling	8802429X	16	Stop ring	69001494
2	Screw set Tow ball coupling	207309.001	17	Cylinder pin	D6325.006
3	ball coupling including screws	207437.001	18	shock absorbers	87000313
4	DIN towing eye including screws	98761693	19	shock absorber mounts	21003494
5	Anti-sway coupling KS30	209954.001	20	Screw set shock absorbers	207310.001
6	Bellows for item 1	69004692	21	Handbrake levers complete.	98703193
7	Bellows for positions 3 and 4	69000393	22		6J1031.006
8	Bellows for item 5	209335.001	23	Breakaway cable	203202.001
9	cable strap	71000194	24	spring sleeve	98702594
10	holders for breakaway cable	206192.001	25	translation levers	98722483
11	Guide bearing set including safety device	208027.001	26	Screw set handbrake lever	207447.001
12	cases galvanized	upon request	27	bolts	41004494
13	grease nipples	48032094			
14	grease nipple caps	69024594			
15	Drawbars incl. item 16	205294.001			
16	Stop ring	206596.001			



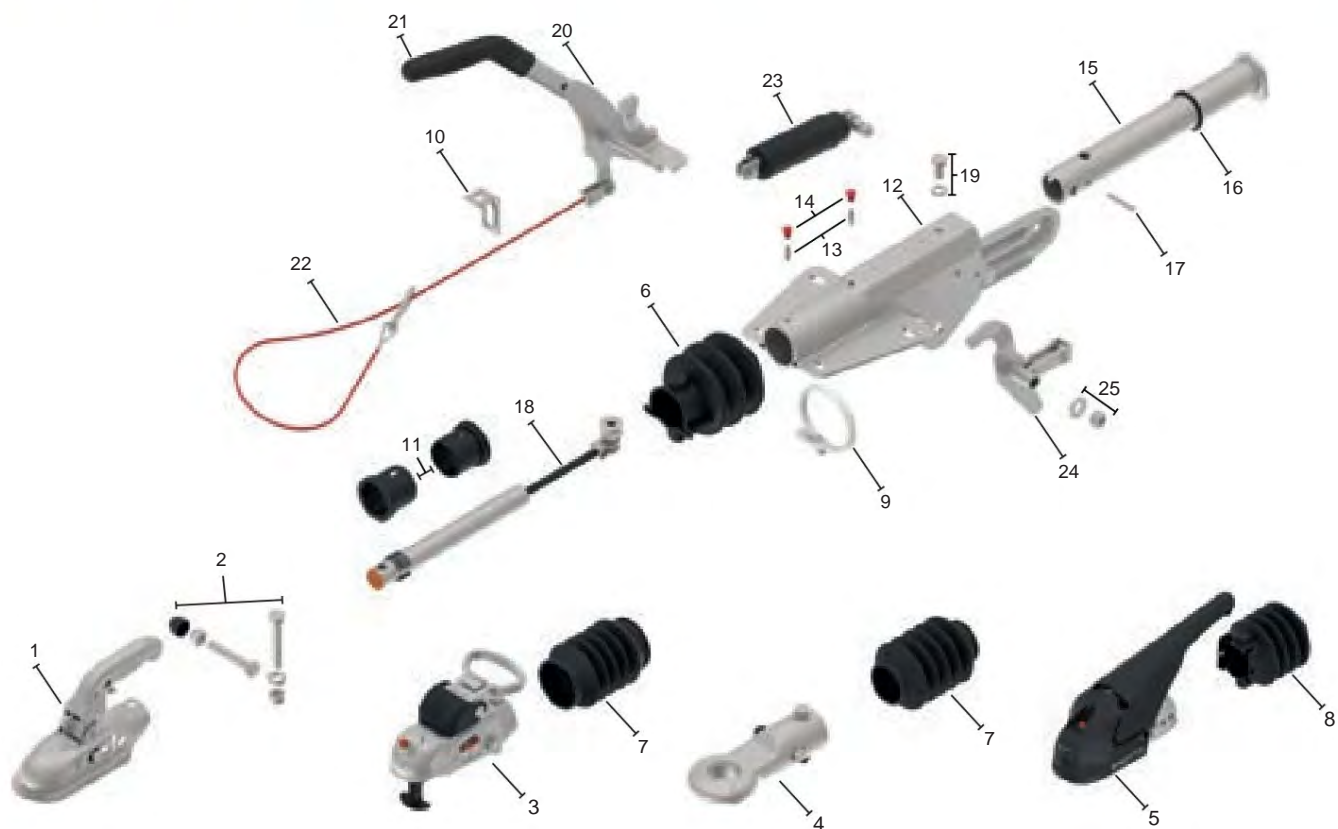
Position			Position		
1	ball coupling	8802469X	17	Screw set shock absorbers	208220.001
2	Screw set Tow ball coupling	208221.001	18	handbrake levers complete.	98532293
3	Ball coupling including screw material	207437.001	19	Breakaway cable	203202.001
4	DIN towing eye including screws	98761693	20	compression spring holders	201240.001
5	Anti-sway coupling KS30	209954.001	21	Spring sleeve	201233.001
6	Bellows for item 1	69005693	22		206528.001
7	Bellows for positions 3 and 4	69000393	23	Screw set handbrake lever	208218.001
8	Bellows for item 5	209335.001	24	bolts	41026294
9	cable strap	71000194	25	holders for breakaway cable	206192.001
10	Guide Bearing Set	210486.001	26	translation levers	200361.001
11	cases galvanized	upon request			
12	grease nipples	48032094			
13	grease nipple cap	69024594			
14	Drawbar including item 15	200359.001			
15	Stop ring	69005594			
16	shock absorbers	87004063			



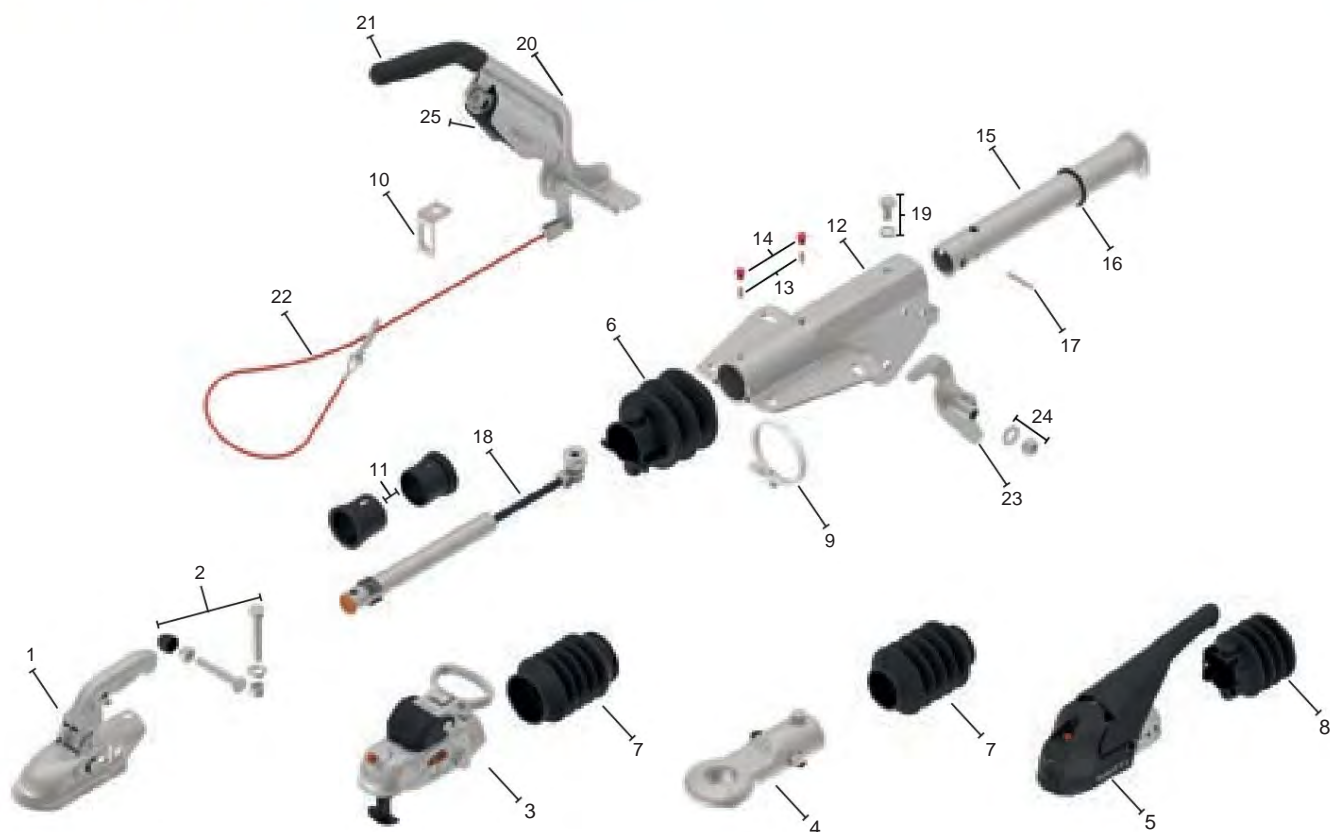
Position			Position		
1	ball coupling	8802429X	16	Stop ring	69001494
2	Screw set Tow ball coupling	207309.001	17	Cylinder pin	D6325.006
3	Ball coupling including screw material	207437.001	18	shock absorbers	87000713
4	DIN towing eye including screws	98761693	19	shock absorber mounts	21003494
5	Anti-sway coupling KS30	209954.001	20	Screw set shock absorbers	207310.001
6	Bellows for item 1	69004692	21	Handbrake levers complete.	98703193
7	Bellows for positions 3 and 4	69000393	22		6J1031.006
8	Bellows for item 5	209335.001	23	Breakaway cable	203202.001
9	cable strap	71000194	24	spring sleeve	98702594
10	holders for breakaway cable	206192.001	25	translation levers	98722483
11	Guide bearing set including safety device	208027.001	26	Screw set handbrake lever	207447.001
12	cases galvanized	upon request	27	bolts	41004494
13	grease nipples	48032094			
14	grease nipple caps	69024594			
15	Drawbars incl. item 16	205294.001			
16	Stop ring	206596.001			



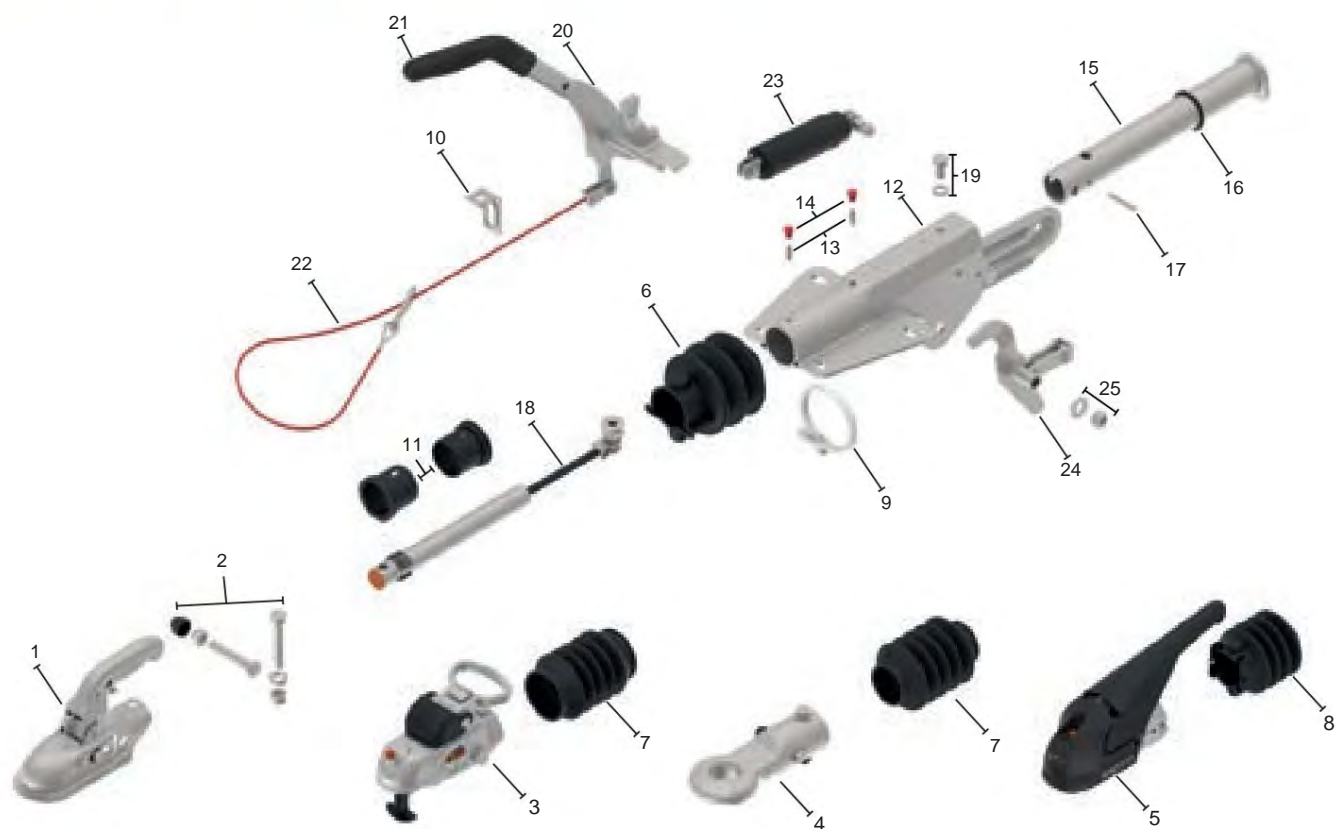
Position			Position		
1	ball coupling	8802429X	17	Stop ring	206596.001
2	Screw set Tow ball coupling	207309.001	17	Stop ring	69005594
3	ball coupling including screws	207437.001	18	Cylinder pin	D6325.006
4	DIN towing eye including screws	98761693	19	shock absorbers	87000713
5	Anti-sway coupling KS30	209954.001	20	shock absorber mounts	21003494
6	Bellows for position 1	69004692	21	Screw set shock absorbers	207310.001
7	Bellows for positions 3 and 4	69000393	22	Handbrake levers complete.	201943.001
8	Bellows for item 5	209335.001	23		6J1031.006
9	cable strap	71000194	24	Breakaway cable	203202.001
10	holders for breakaway cable	206192.001	25	spring accumulators complete.	201856.001
11	Guide bearing set including safety device	208027.001	26	translation levers	98722483
12	Guide bearing set with snap closure	208189.001	27	Screw set handbrake lever	208230.001
13	cases galvanized	upon request			
14	grease nipples	48032094			
15	grease nipple caps	69024594			
16	Drawbars incl. item 17	205294.001			



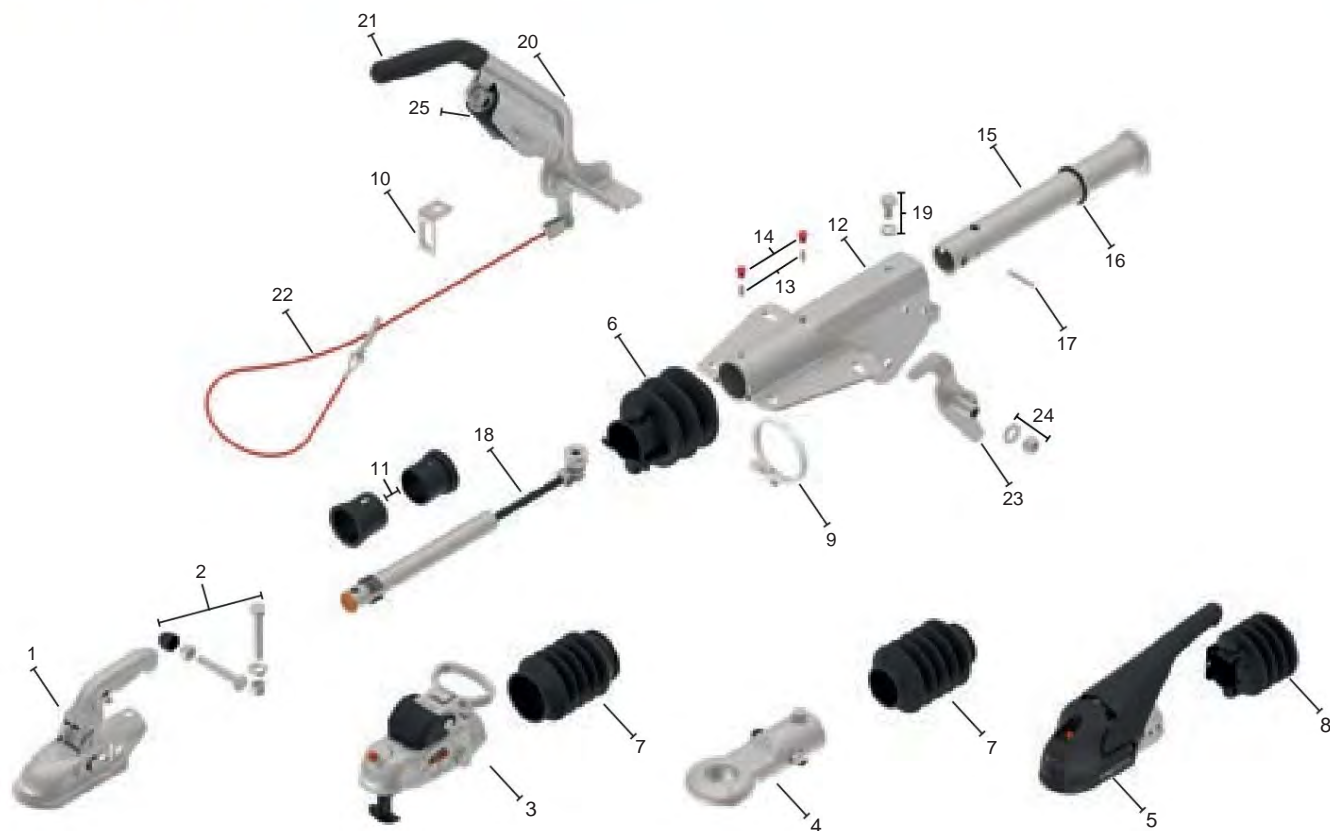
Position			Position		
1	ball coupling	8802429X	16	Stop ring	69001494
2	Screw set Tow ball coupling	207309.001	17	Cylinder pin	D6325.006
3	ball coupling including screws	207437.001	18	shock absorbers	87100713
4	DIN towing eye including screws	98761693	19	Screw set shock absorbers	208229.001
5	Anti-sway coupling KS30	209954.001	20	handbrake levers complete.	203743.001
6	Bellows for item 1	69004692	21		6J1031.006
7	Bellows for positions 3 and 4	69000393	22	Breakaway cable	203202.001
8	Bellows for item 5	209335.001	23	spring accumulators complete.	204387.001
9	cable strap	71000194	24	translation levers	203603.001
10	holders for breakaway cable	206192.001	25	Screw set handbrake lever	208228.001
11	Guide bearing set with snap lock	208189.001			
12	cases galvanized	upon request			
13	grease nipples	206156.001			
14	grease nipple caps	69024594			
15	Drawbars incl. item 16	206946.001			
16	Stop ring	206596.001			



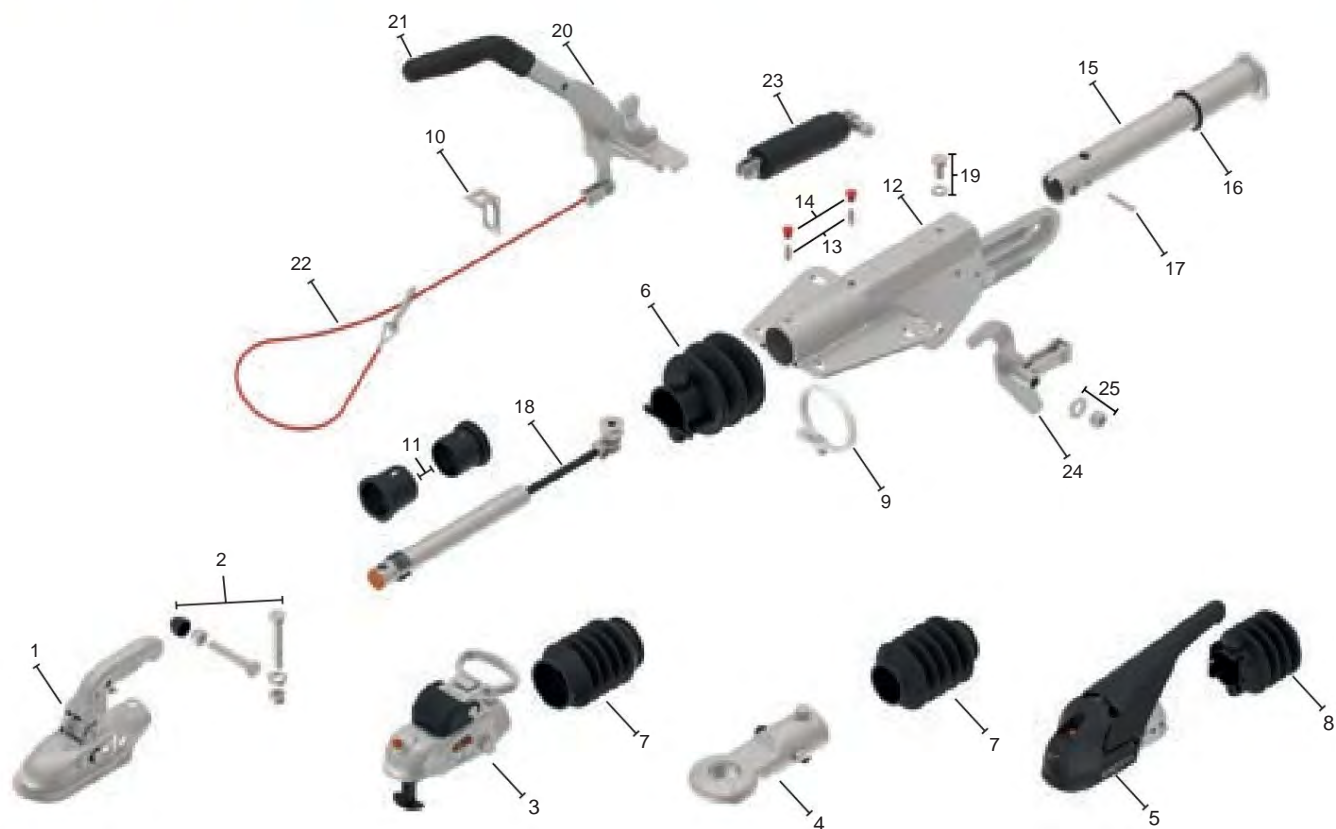
Position			Position		
1	ball coupling	8802429X	17	Cylinder pin	D6325.006
2	Screw set Tow ball coupling	207309.001	18	shock absorbers	87100713
3	ball coupling including screws	207437.001	19	Screw set shock absorbers	208229.001
4	DIN towing eye including screws	98761693	20	Handbrake lever complete. (incl. item 25 spring storage)	205056.001
5	Anti-sway coupling KS30	209954.001	21		204012.001
6	Bellows for item 1	69004692	22	Breakaway cable	203202.001
7	Bellows for positions 3 and 4	69000393	23	translation levers	203603.001
8	Bellows for item 5	209335.001	24	Screw set handbrake lever	208228.001
9	cable strap	71000194	25	spring accumulators complete.	204139.001
10	holders for breakaway cable	206192.001			
11	Guide bearing set with snap lock	208027.001			
12	cases galvanized	upon request			
13	grease nipples	206156.001			
14	grease nipple caps	69024594			
15	Drawbars incl. item 16	206946.001			
16	Stop ring	206596.001			



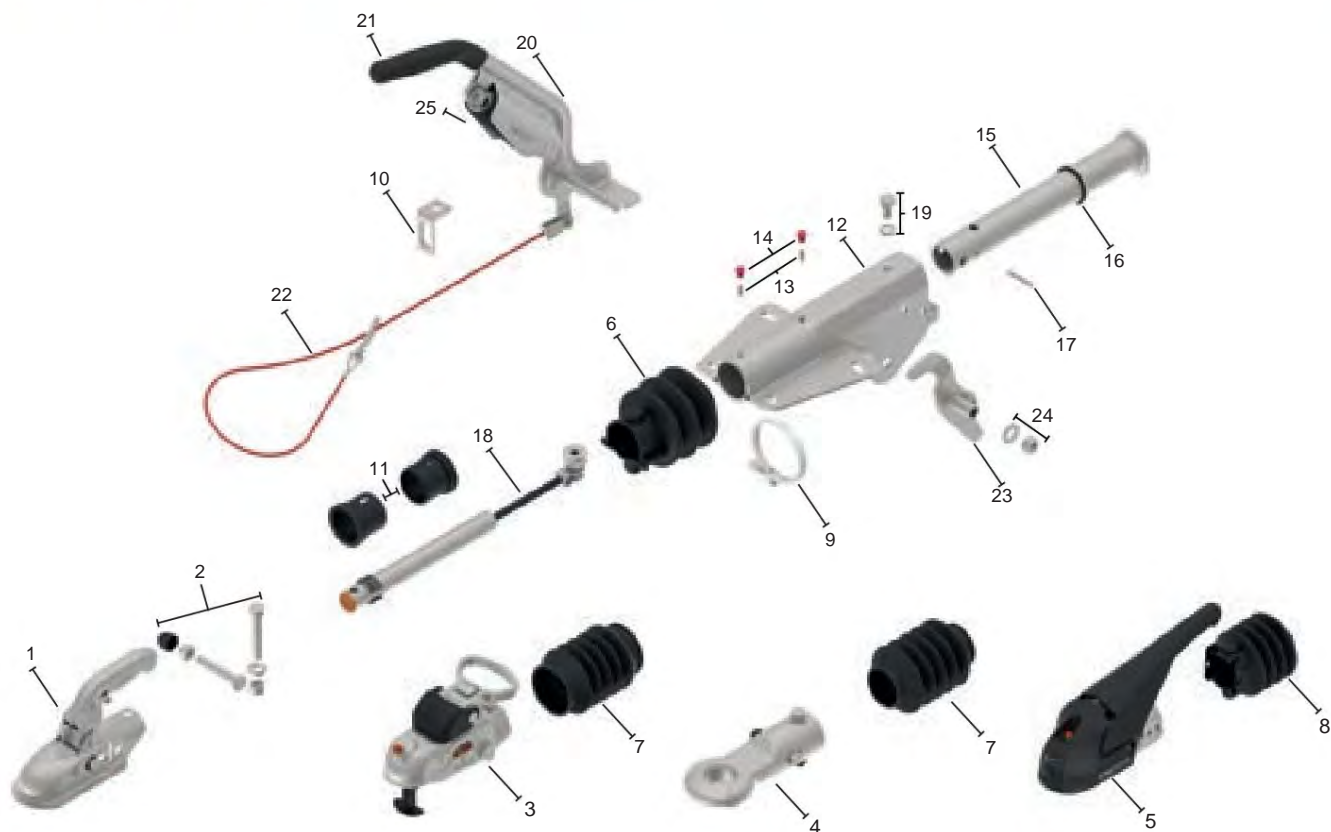
Position			Position		
1	ball coupling	8802429X	16	Stop ring	69001494
2	Screw set Tow ball coupling	207309.001	17	Cylinder pin	D6325.006
3	ball coupling including screws	207437.001	18	shock absorbers	87100713
4	DIN towing eye including screws	98761693	19	Screw set shock absorbers	208229.001
5	Anti-sway coupling KS30	209954.001	20	handbrake levers complete.	203743.001
6	Bellows for item 1	69004692	21		6J1031.006
7	Bellows for positions 3 and 4	69000393	22	Breakaway cable	203202.001
8	Bellows for item 5	209335.001	23	spring accumulators complete.	204387.001
9	cable strap	71000194	24	translation levers	203603.001
10	holders for breakaway cable	206192.001	25	Screw set handbrake lever	208228.001
11	Guide bearing set with snap lock	208189.001			
12	cases galvanized	upon request			
13	grease nipples	206156.001			
14	grease nipple caps	69024594			
15	Drawbars incl. item 16	206946.001			
16	Stop ring	206596.001			



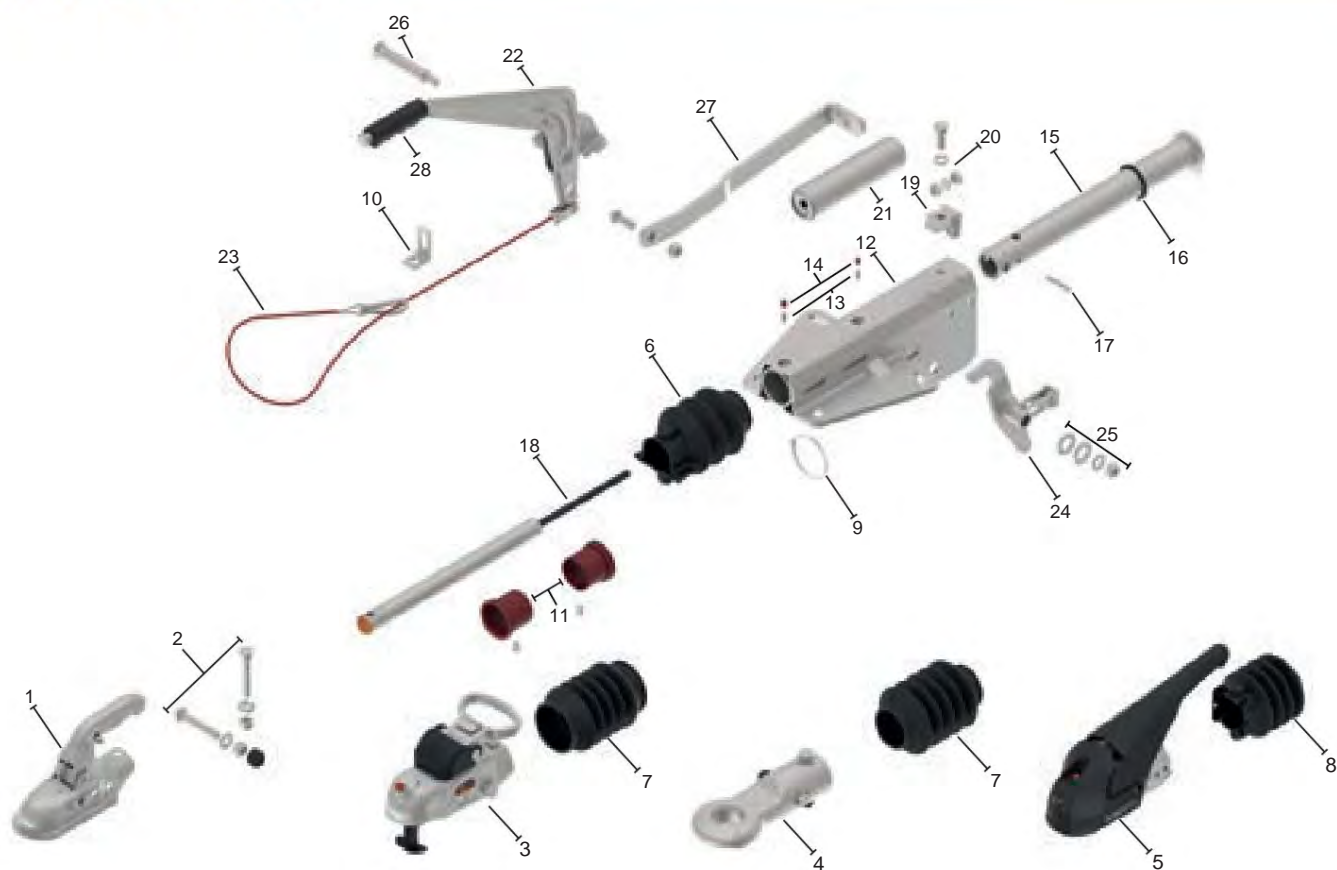
Position			Position		
1	ball coupling	8802429X	17	Cylinder pin	D6325.006
2	Screw set Tow ball coupling	207309.001	18	shock absorbers	87100713
3	ball coupling including screws	207437.001	19	Screw set shock absorbers	208229.001
4	DIN towing eye including screws	98761693	20	Complete handbrake lever. (incl. item 25 spring storage)	205056.001
5	Anti-sway coupling KS30	209954.001	21		6J1031.006
6	Bellows for position 1	69004692	22	Breakaway cable	203202.001
7	Bellows for positions 3 and 4	69000393	23	translation levers	203603.001
8	Bellows for item 5	209335.001	24	Screw set handbrake lever	208228.001
9	cable strap	71000194	25	spring accumulators complete.	204139.001
10	holders for breakaway cable	206192.001			
11	Guide bearing set with snap lock	208189.001			
12	cases galvanized	upon request			
13	grease nipples	206156.001			
14	grease nipple caps	69024594			
15	Drawbars incl. item 16	206946.001			
16	Stop ring	206596.001			



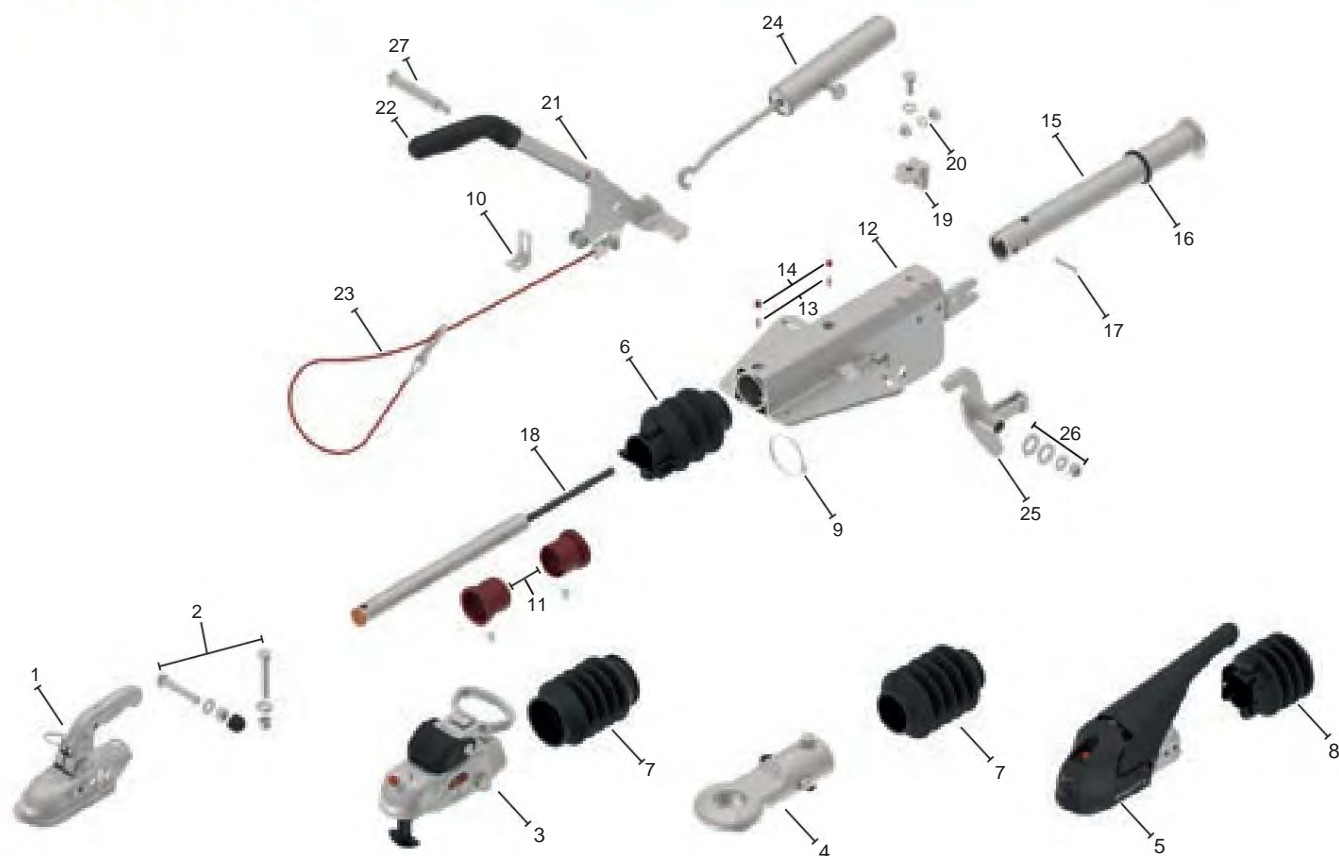
Position			Position		
1	ball coupling	8802429X	16	Stop ring	69001494
2	Screw set Tow ball coupling	207309.001	17	Cylinder pin	D6325.006
3	ball coupling including screws	207437.001	18	shock absorbers	87100313
4	DIN towing eye including screws	98761693	19	Screw set shock absorbers	208229.001
5	Anti-sway coupling KS30	209954.001	20	handbrake levers complete.	203743.001
6	Bellows for item 1	69004692	21		6J1031.006
7	Bellows for positions 3 and 4	69000393	22	Breakaway cable	203202.001
8	Bellows for item 5	209335.001	23	spring accumulators complete.	204387.001
9	cable strap	71000194	24	translation levers	203603.001
10	holders for breakaway cable	206192.001	25	Screw set handbrake lever	208228.001
11	Guide bearing set with snap lock	208189.001			
12	cases galvanized	upon request			
13	grease nipples	48032094			
14	grease nipple caps	69024594			
15	Drawbars incl. item 16	206946.001			
16	Stop ring	206596.001			



Position			Position		
1	ball coupling	8802429X	17	Cylinder pin	D6325.006
2	Screw set Tow ball coupling	207309.001	18	shock absorbers	87100313
3	ball coupling including screws	207437.001	19	Screw set shock absorbers	208229.001
4	DIN towing eye including screws	98761693	20	Complete handbrake lever. (incl. item 25 spring storage)	205056.001
5	Anti-sway coupling KS30	209954.001	21		204012.001
6	Bellows for position 1	69004692	22	Breakaway cable	203202.001
7	Bellows for positions 3 and 4	69000393	23	translation levers	203603.001
8	Bellows for item 5	209335.001	24	Screw set handbrake lever	208228.001
9	cable strap	71000194	25	spring accumulators complete.	204139.001
10	holders for breakaway cable	206192.001			
11	Guide bearing set with snap lock	208189.001			
12	cases galvanized	upon request			
13	grease nipples	206156.001			
14	grease nipple caps	69024594			
15	Drawbars incl. item 16	206946.001			
16	Stop ring	206596.001			

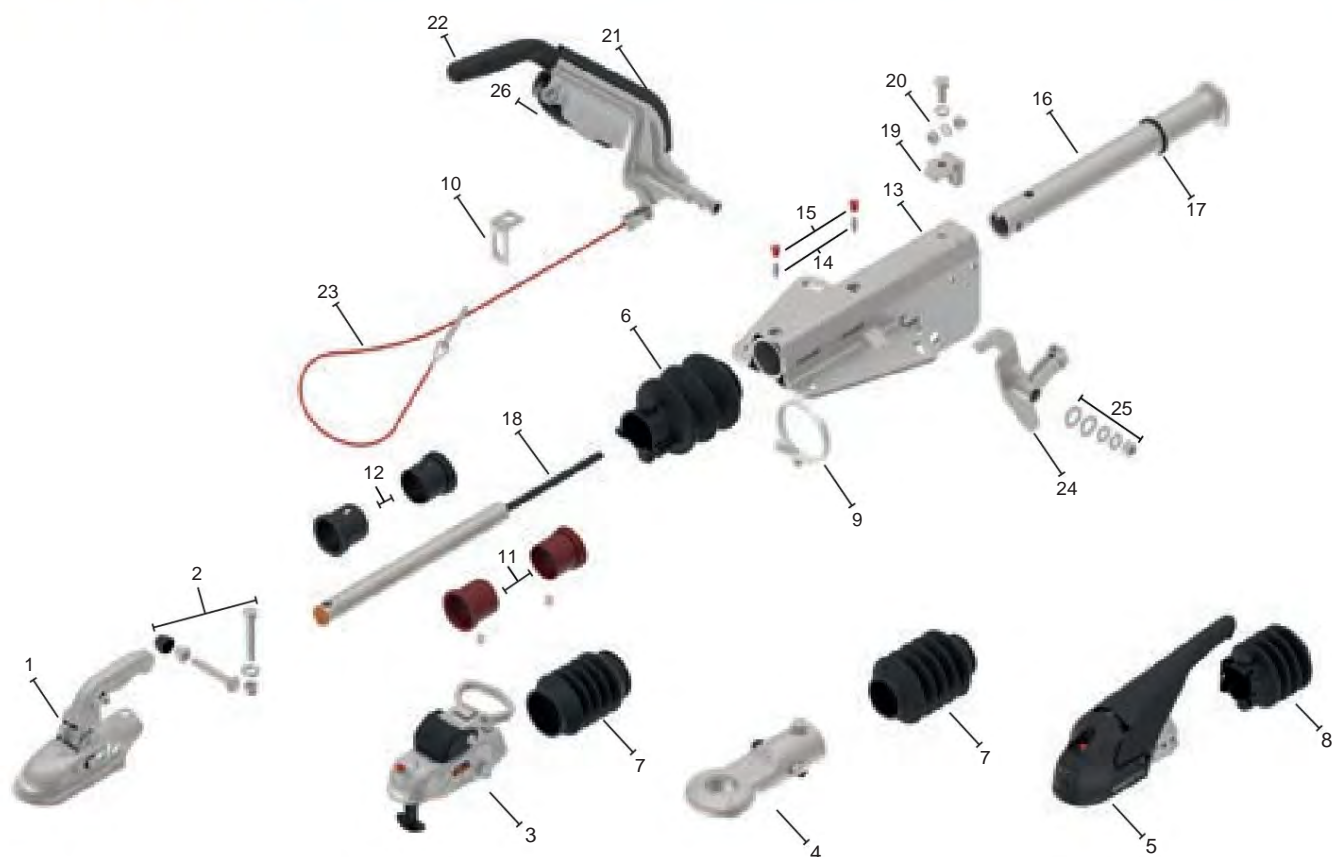


Position			Position		
1	ball coupling	8802429X	18	shock absorbers	87000713
2	Screw set for tow ball coupling, ball	207309.001	19	shock absorber mounts	21003494
3	coupling including screw material	207437.001	20	Screw set shock absorbers	207310.001
4	DIN towing eye including screws	98761693	21	Spring sleeve	98103393
5	Anti-sway coupling KS30	209954.001	22	Handbrake levers complete.	9853229303
6	Bellows for item 1	69004692	23	Breakaway cable	203202.001
7	Bellows for positions 3 and 4	69000393	24	translation levers	9854419302
8	Bellows for item 5	209335.001	25	Screw set handbrake lever	207447.001
9	cable strap	71000194	26	bolts	41004594
10	holders for breakaway cable	206192.001	27	compression spring holders	34021093
11	Guide bearing set including safety device	208027.001	28		206528.001
12	cases galvanized	upon request			
13	grease nipples	48032094			
14	grease nipple caps	69024594			
15	Drawbar including item 16	98103094			
16	Stop ring	206596.001			
16	Stop ring	69001494			
17	Cylinder pin	D6325.006			



Position			Position		
1	ball coupling	8802429X	16	Stop ring	69001494
2	Screw set Tow ball coupling	207309.001	17	Cylinder pin	D6325.006
3	Ball coupling including screw material	207437.001	18	shock absorbers	87000713
4	DIN towing eye including screws	98761693	19	shock absorber mounts	21003494
5	Anti-sway coupling KS30	209954.001	20	Screw set shock absorbers	207310.001
6	Bellows for item 1	69004692	21	Handbrake levers complete.	98703193
7	Bellows for positions 3 and 4	69000393	22		6J1031.006
8	Bellows for item 5	209335.001	23	Breakaway cable	203202.001
9	cable strap	71000194	24	spring sleeve	98702594
10	holders for breakaway cable	206192.001	25	translation levers	98722483
11	Guide bearing set including safety device	208027.001	26	Screw set handbrake lever	207447.001
12	cases galvanized	upon request	27	bolts	41004494
13	grease nipples	48032094			
14	grease nipple caps	69024594			
15	Drawbars incl. item 16	205294.001			
16	Stop ring	206596.001			

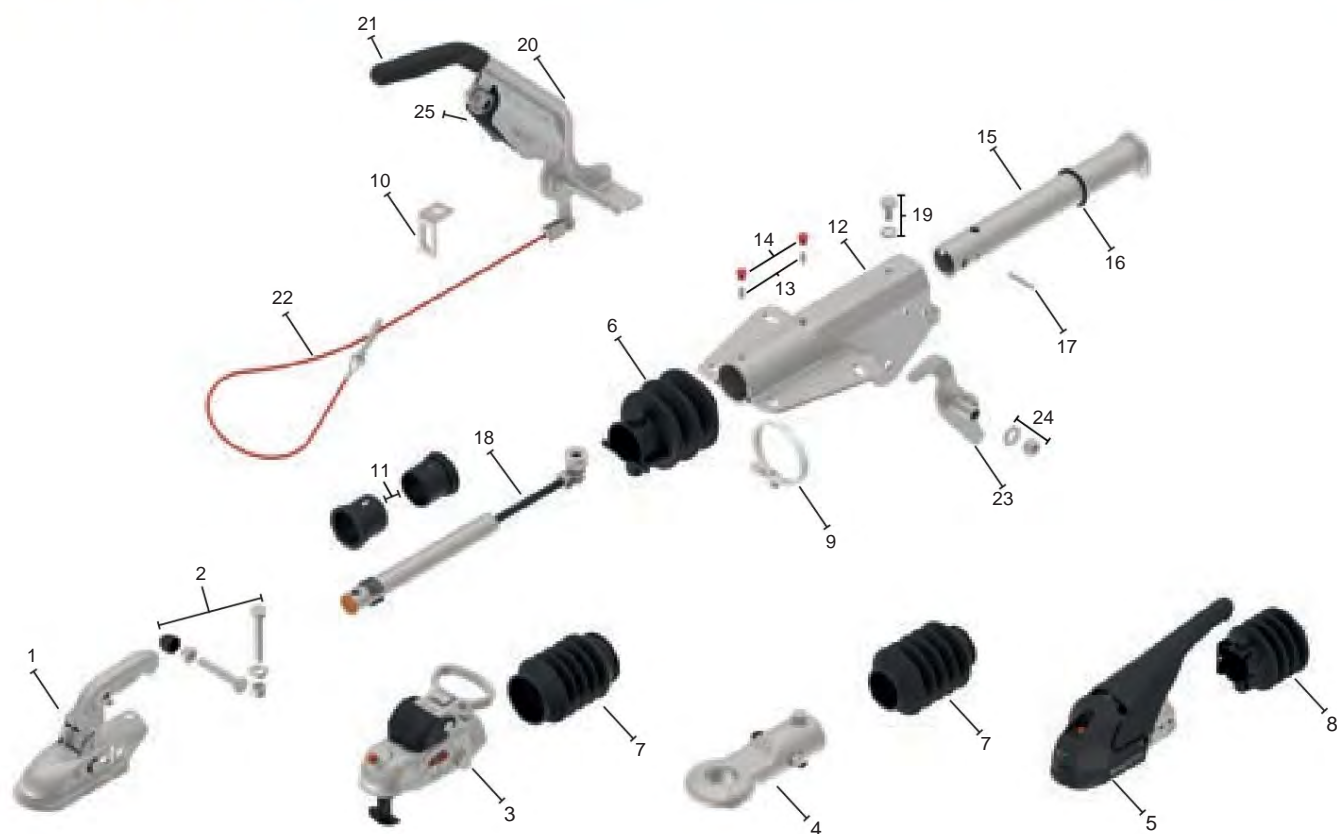




Position			Position		
1	ball coupling	8802429X	17	Stop ring	206596.001
2	Screw set Tow ball coupling	207309.001	18	shock absorbers	87000713
3	ball coupling including screws	207437.001	19	shock absorber mounts	21003494
4	DIN towing eye including screws	98761693	20	Screw set shock absorbers	207310.001
5	Anti-sway coupling KS30	209954.001	21	Complete handbrake lever. (incl. item 26 spring storage)	206967.002
6	Bellows for item 1	69004692	22		204012.001
7	Bellows for positions 3 and 4	69000393	23	Breakaway cable	203202.001
8	Bellows for item 5	209335.001	24	translation levers	98722483
9	cable strap	71000194	25	Screw set handbrake lever	208231.001
10	holders for breakaway cable	206192.001	26	spring accumulators complete.	207556.001
11	Guide bearing set including safety device	208027.001			
12	Guide bearing set with snap closure	208189.001			
13	cases galvanized	upon request			
14	grease nipples	48032094			
15	grease nipple caps	69024594			
16	Drawbars incl. item 17	205294.001			



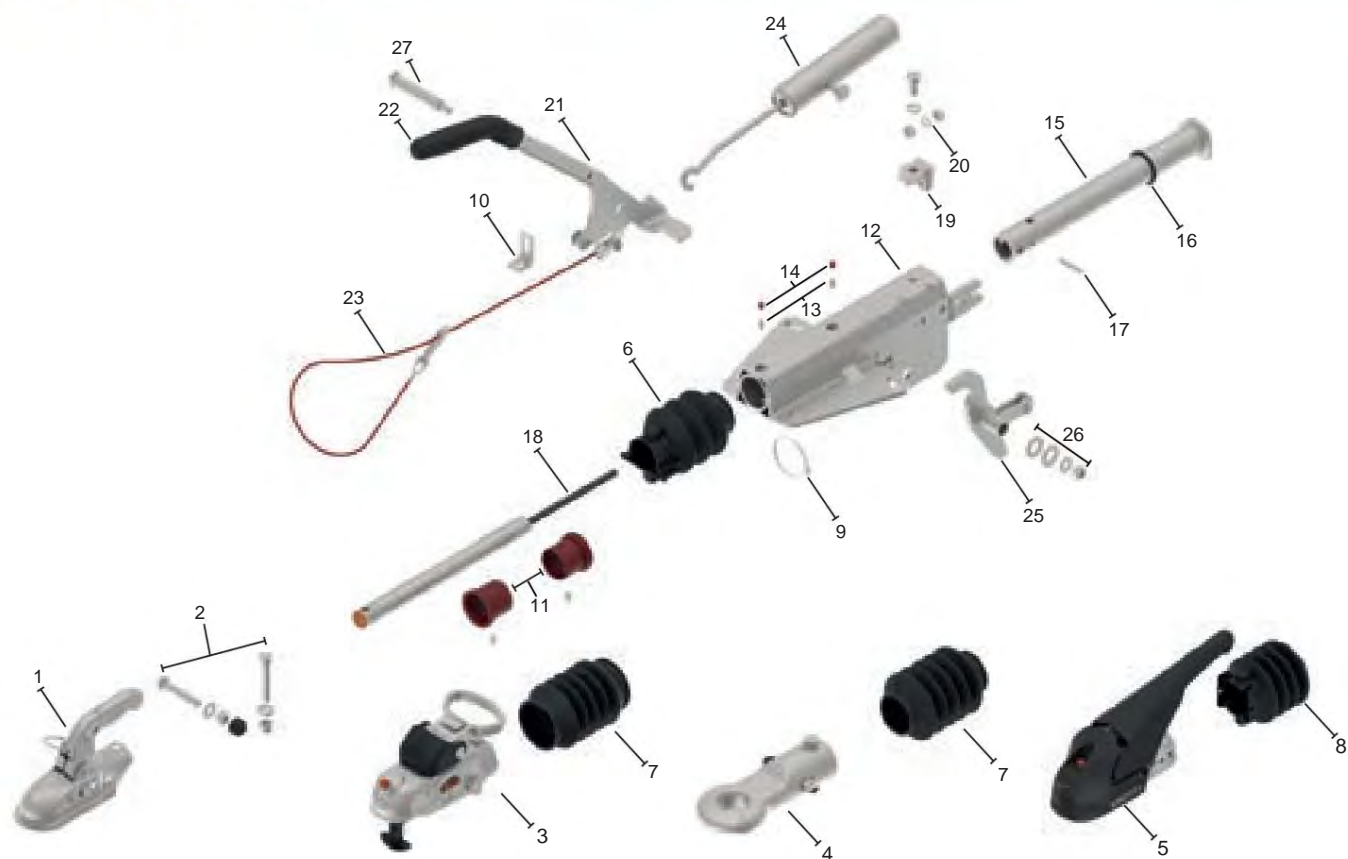
Position			Position		
1	ball coupling	8802429X	17	Cylinder pin	D6325.006
2	Screw set Tow ball coupling	207309.001	18	shock absorbers	87100713
3	ball coupling including screws	207437.001	19	Screw set shock absorbers	207310.001
4	DIN towing eye including screws	98761693	20	shock absorber mounts	21003494
5	Anti-sway coupling KS30	209954.001	21	Handbrake levers complete.	203743.001
6	Bellows for item 1	69004692	22		6J1031.006
7	Bellows for positions 3 and 4	69000393	23	Breakaway cable	203202.001
8	Bellows for item 5	209335.001	24	spring accumulators complete.	204387.001
9	cable strap	71000194	25	translation levers	203603.001
10	holders for breakaway cable	206192.001	26	Screw set handbrake lever	208228.001
11	Guide bearing set with snap lock	208189.001			
12	cases galvanized	upon request			
13	grease nipples	206156.001			
14	grease nipple caps	69024594			
15	Drawbars incl. item 16	206946.001			
16	Stop ring	206596.001			



Position			Position		
1	ball coupling	8802429X	17	Cylinder pin	D6325.006
2	Screw set Tow ball coupling	207309.001	18	shock absorbers	87100713
3	ball coupling including screws	207437.001	19	Screw set shock absorbers	208229.001
4	DIN towing eye including screws	98761693	20	Handbrake lever complete. (incl. item 25 spring storage)	205056.001
5	Anti-sway coupling KS30	209954.001	21		204012.001
6	Bellows for item 1	69004692	22	Breakaway cable	203202.001
7	Bellows for positions 3 and 4	69000393	23	translation levers	203603.001
8	Bellows for item 5	209335.001	24	Screw set handbrake lever	208228.001
9	cable strap	71000194	25	spring accumulators complete.	204139.001
10	holders for breakaway cable	206192.001			
11	Guide bearing set with snap lock	208189.001			
12	cases galvanized	upon request			
13	grease nipples	206156.001			
14	grease nipple caps	69024594			
15	Drawbars incl. item 16	206946.001			
16	Stop ring	206596.001			



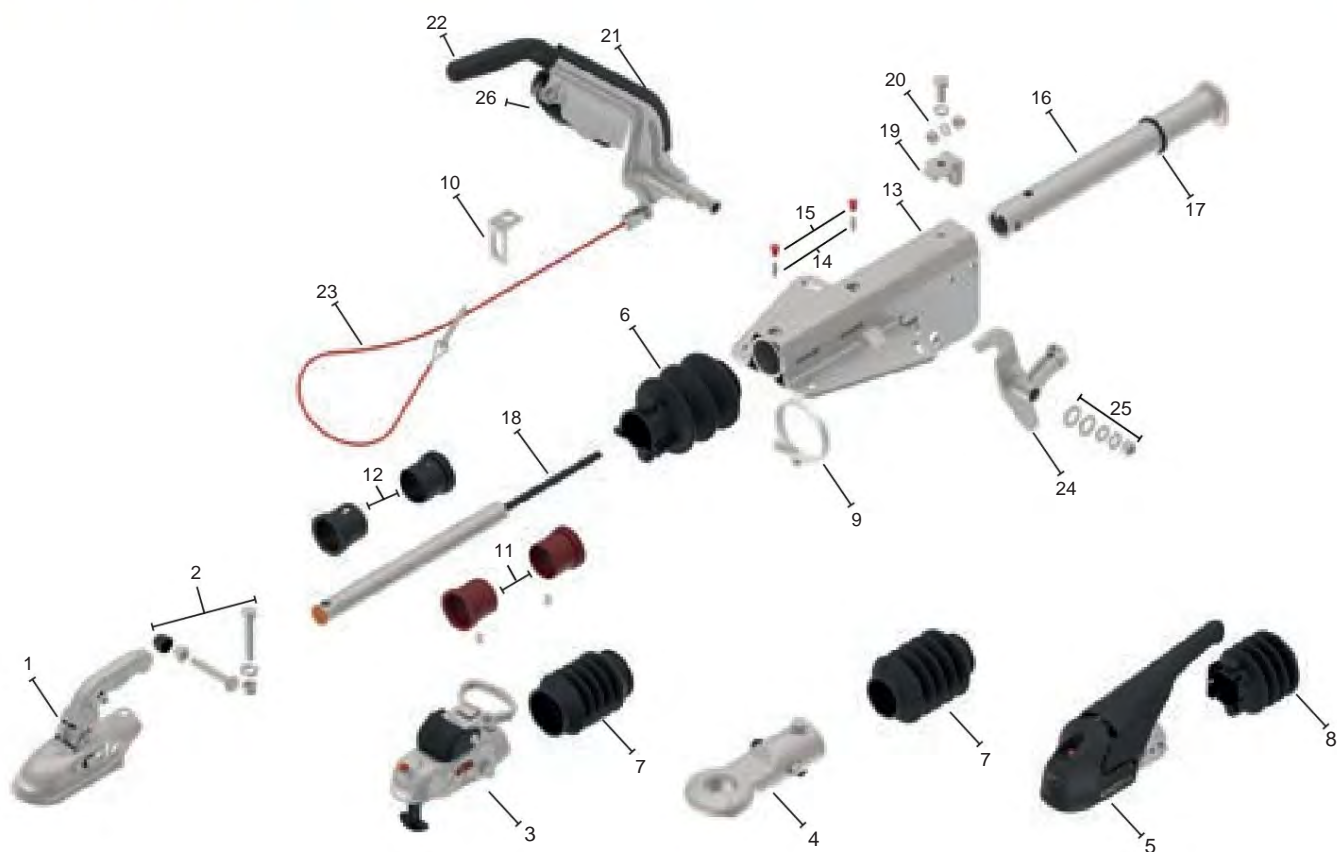
Position			Position		
1	ball coupling	8802429X	17	Stop ring	206596.001
2	Screw set Tow ball coupling	207309.001	18	Cylinder pin	D6325.006
3	ball coupling including screws	207437.001	19	shock absorbers	87100313
4	DIN towing eye including screws	98761693	20	Screw set shock absorbers	207310.001
5	Anti-sway coupling KS30	209954.001	21	shock absorber mounts	21003494
6	Bellows for item 1	69004692	22	Handbrake levers complete.	205056.001
7	Bellows for positions 3 and 4	69000393	23		6J1031.006
8	Bellows for item 5	209335.001	24	Breakaway cable	203202.001
9	cable strap	71000194	25	spring accumulators complete.	204139.001
10	holders for breakaway cable	206192.001	26	translation levers	203603.001
11	Guide bearing set with snap lock	208189.001	27	Screw set handbrake lever	208228.001
12	Guide bearing set including safety device	208027.001			
13	cases galvanized	upon request			
14	grease nipples	48032094			
15	grease nipple caps	69024594			
16	Drawbars incl. item 17	206946.001			



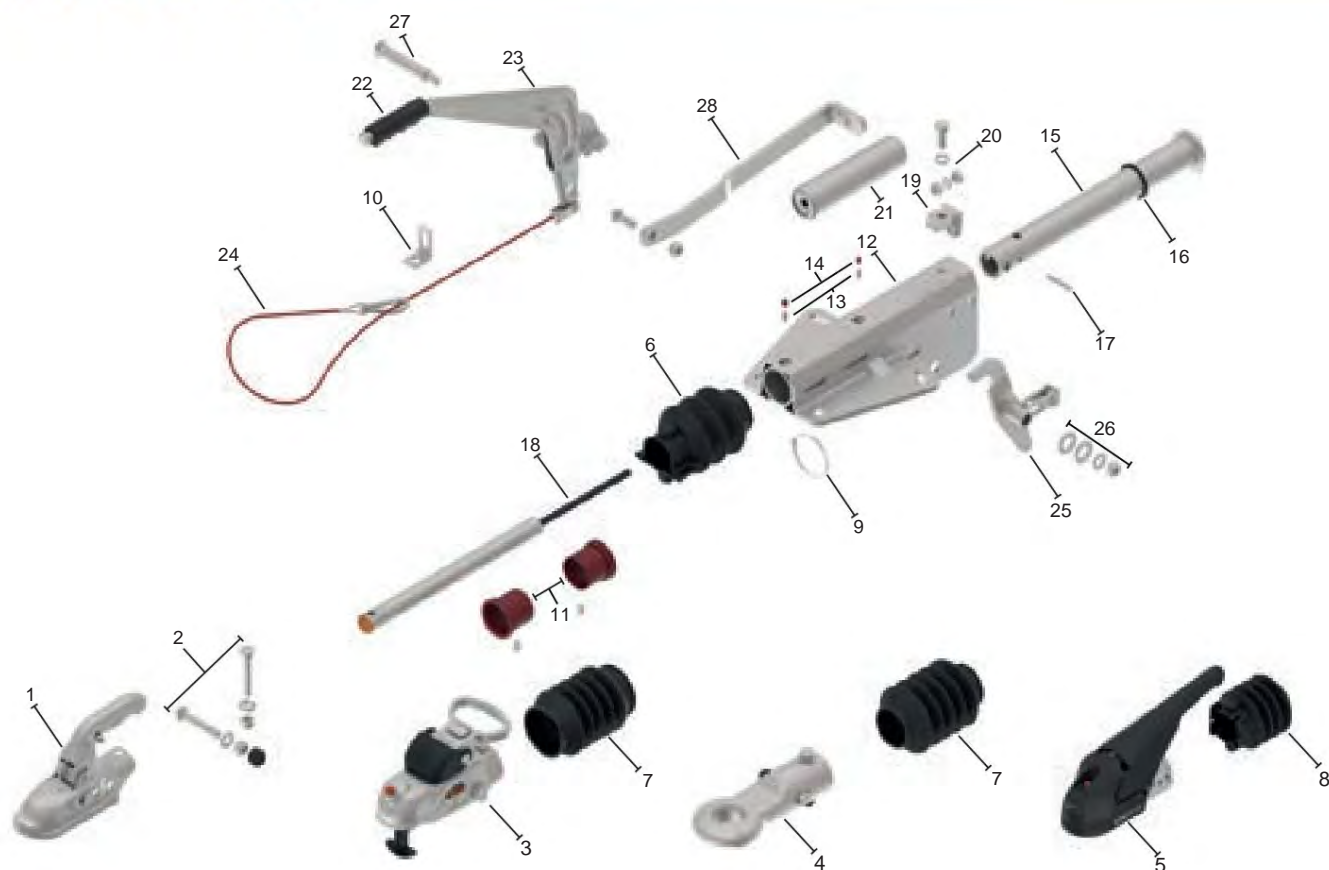
Position			Position		
1	ball coupling	8802399X	18	shock absorbers "C"	87001113
2	Screw set for tow ball coupling, ball	207309.001	18	shock absorbers "E"	87004713
3	coupling including screw material	207437.001	19	shock absorber mounts	21003494
4	DIN towing eye including screws	98761693	20	Screw set shock absorbers	207310.001
5	Anti-sway coupling KS30	209954.001	21	Handbrake levers complete.	98703193
6	Bellows for position 1	69004692	22		6J1031.006
7	Bellows for positions 3 and 4	69000393	23	Breakaway cable	203202.001
8	Bellows for item 5	209335.001	24	spring sleeve	98702594
9	cable strap	71000194	25	translation levers	98722483
10	holders for breakaway cable	206192.001	26	Screw set handbrake lever	207447.001
11	Guide bearing set including safety device	208027.001	27	bolts	41004494
12	cases galvanized	upon request			
13	grease nipples	48032094			
14	grease nipple caps	69024594			
15	Drawbar including item 16	98103094			
16	Stop ring	206596.001			
16	Stop ring	69001494			
17	Cylinder pin	D6325.006			



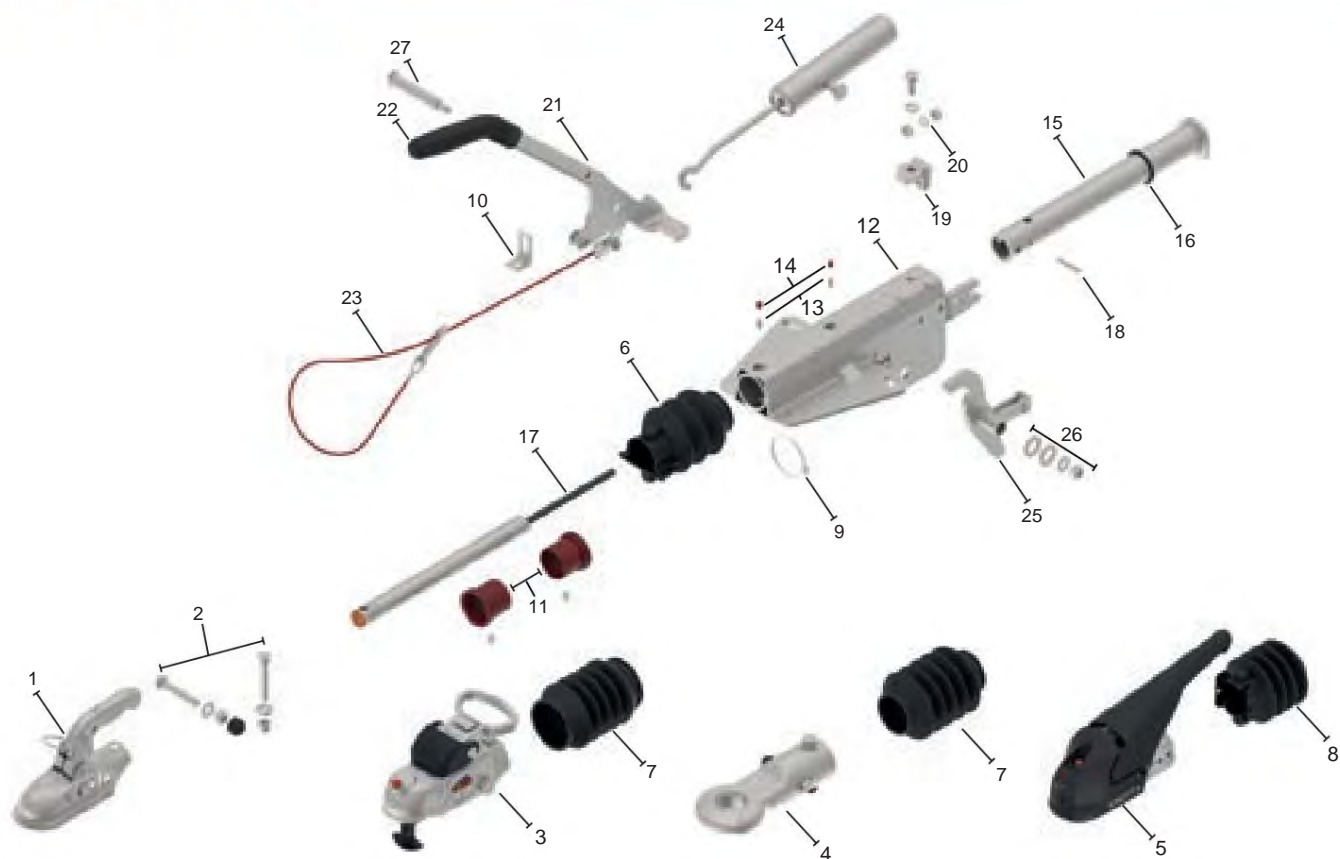
Position			Position		
1	ball coupling	8802399X	18	Cylinder pin	D6325.006
2	Screw set for tow ball coupling, ball	207309.001	19	shock absorbers "C"	87001113
3	coupling including screw material	207437.001	19	shock absorbers "E"	87004713
4	DIN towing eye including screws	98761693	20	shock absorber mounts	21003494
5	Anti-sway coupling KS30	209954.001	21	Screw set shock absorbers	207310.001
6	Bellows for item 1	69004692	22	Handbrake levers complete.	201943.001
7	Bellows for positions 3 and 4	69000393	23		6J1031.006
8	Bellows for item 5	209335.001	24	Breakaway cable	203202.001
9	cable strap	71000194	25	spring accumulators complete.	201856.001
10	holders for breakaway cable	206192.001	26	translation levers	98722483
11	Guide bearing set including safety	208027.001	27	Screw set handbrake lever	208230.001
12	device, with snap closure	208189.001			
13	cases galvanized	upon request			
14	grease nipples	48032094			
15	grease nipple caps	69024594			
16	Drawbars incl. item 17	98103094			
17	Stop ring	206596.001			
17	Stop ring	69001494			



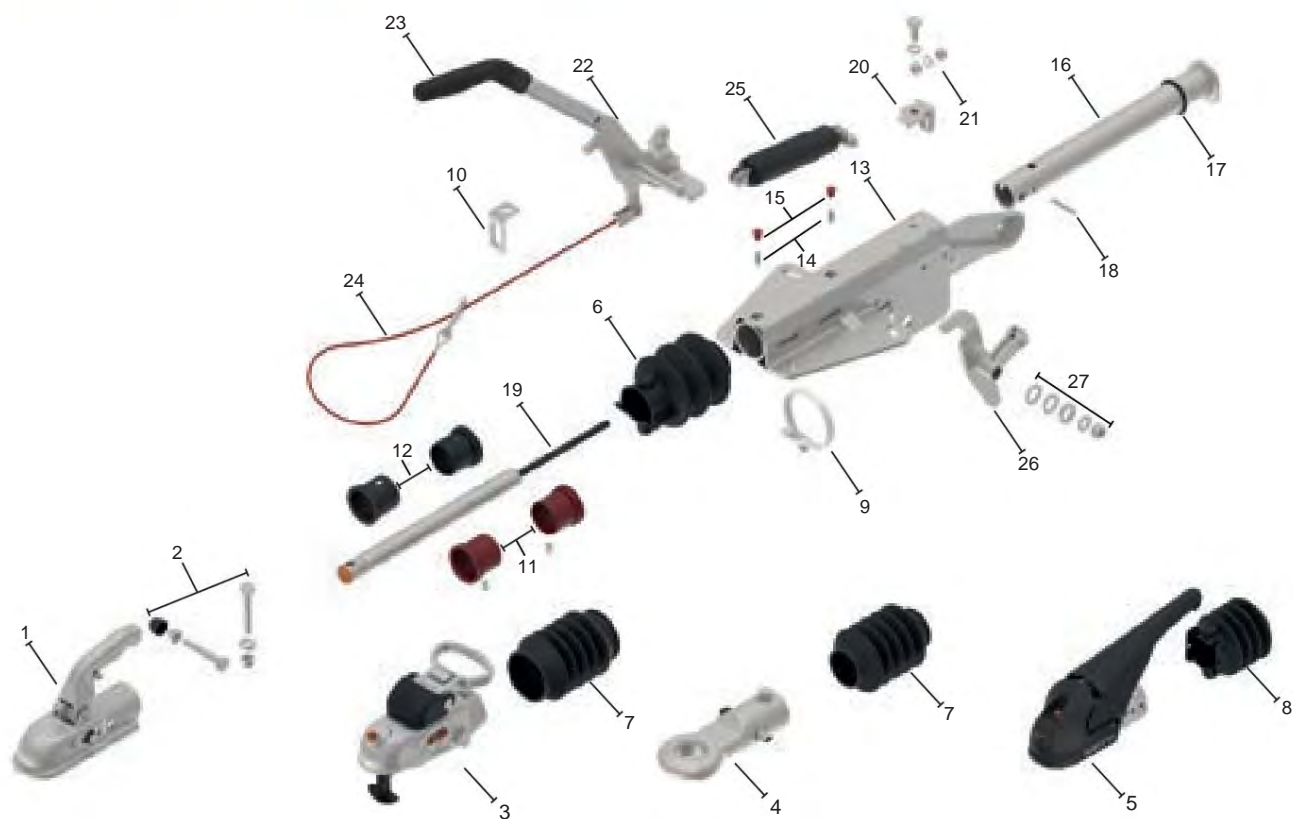
Position			Position		
1	ball coupling	8802399X	18	shock absorbers "E"	87004713
2	Screw set for tow ball coupling, ball	207309.001	19	shock absorber mounts	21003494
3	coupling including screw material	207437.001	20	Screw set Shock absorber	207310.001
4	DIN towing eye including screws	98761693	21	handbrake lever complete. (incl. item 26 spring storage)	206967.002
5	Anti-sway coupling KS30	209954.001	22		204012.001
6	Bellows for item 1	69004692	23	Breakaway cable	203202.001
7	Bellows for positions 3 and 4	69000393	24	translation levers	98722483
8	Bellows for item 5	209335.001	25	Screw set handbrake lever	208231.001
9	cable strap	71000194	26	spring accumulators complete.	207556.001
10	holders for breakaway cable	206192.001			
11	Guide bearing set including safety	208027.001			
12	device with snap closure	208189.001			
13	cases galvanized	upon request			
14	grease nipples	48032094			
15	grease nipple caps	69024594			
16	Drawbars incl. item 17	98103094			
17	Stop ring	206596.001			
18	shock absorbers "C"	87001113			



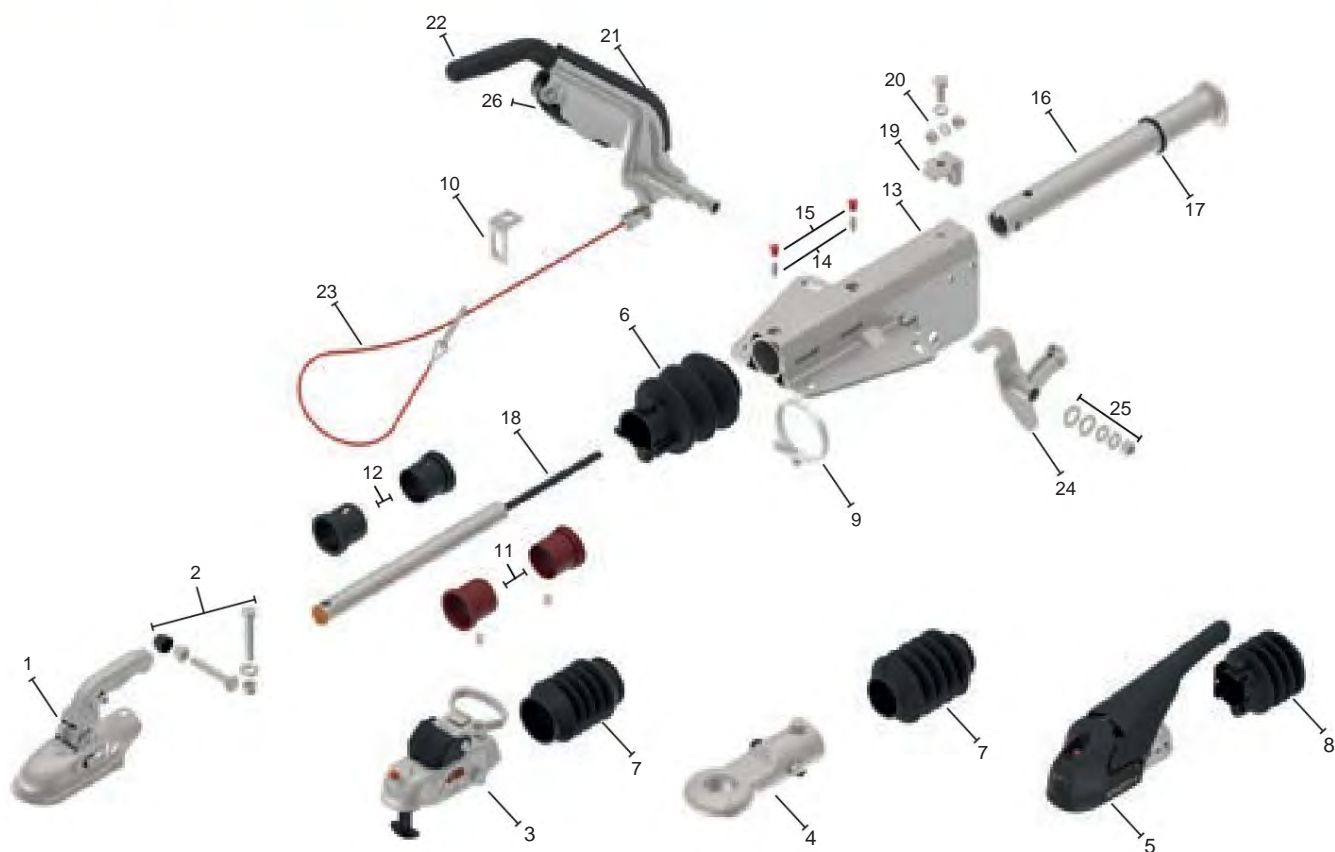
Position			Position		
1	ball coupling	8802399X	18	shock absorbers "C"	87001113
2	Screw set for tow ball coupling, ball	207309.001	18	shock absorbers "E"	87004713
3	coupling including screw material	207437.001	19	shock absorber mounts	21003494
4	DIN towing eye including screws	98761693	20	Screw set shock absorbers	207310.001
5	Anti-sway coupling KS30	209954.001	21	spring accumulators complete.	98103393
6	Bellows for item 1	69004692	22		206528.001
7	Bellows for positions 3 and 4	69000393	23	Handbrake levers complete.	98532293
8	Bellows for item 5	209335.001	24	Breakaway cable	203202.001
9	cable strap	71000194	25	translation levers	9854419302
10	holders for breakaway cable	206192.001	26	Screw set handbrake lever	207447.001
11	Guide bearing set including safety device	208027.001	27	bolts	41004594
12	cases galvanized	upon request	28	compression spring holders	34021093
13	grease nipples	48032094			
14	grease nipple caps	69024594			
15	Drawbar including item 16	98103094			
16	Stop ring	206596.001			
16	Stop ring	69001494			
17	Cylinder pin	D6325.006			



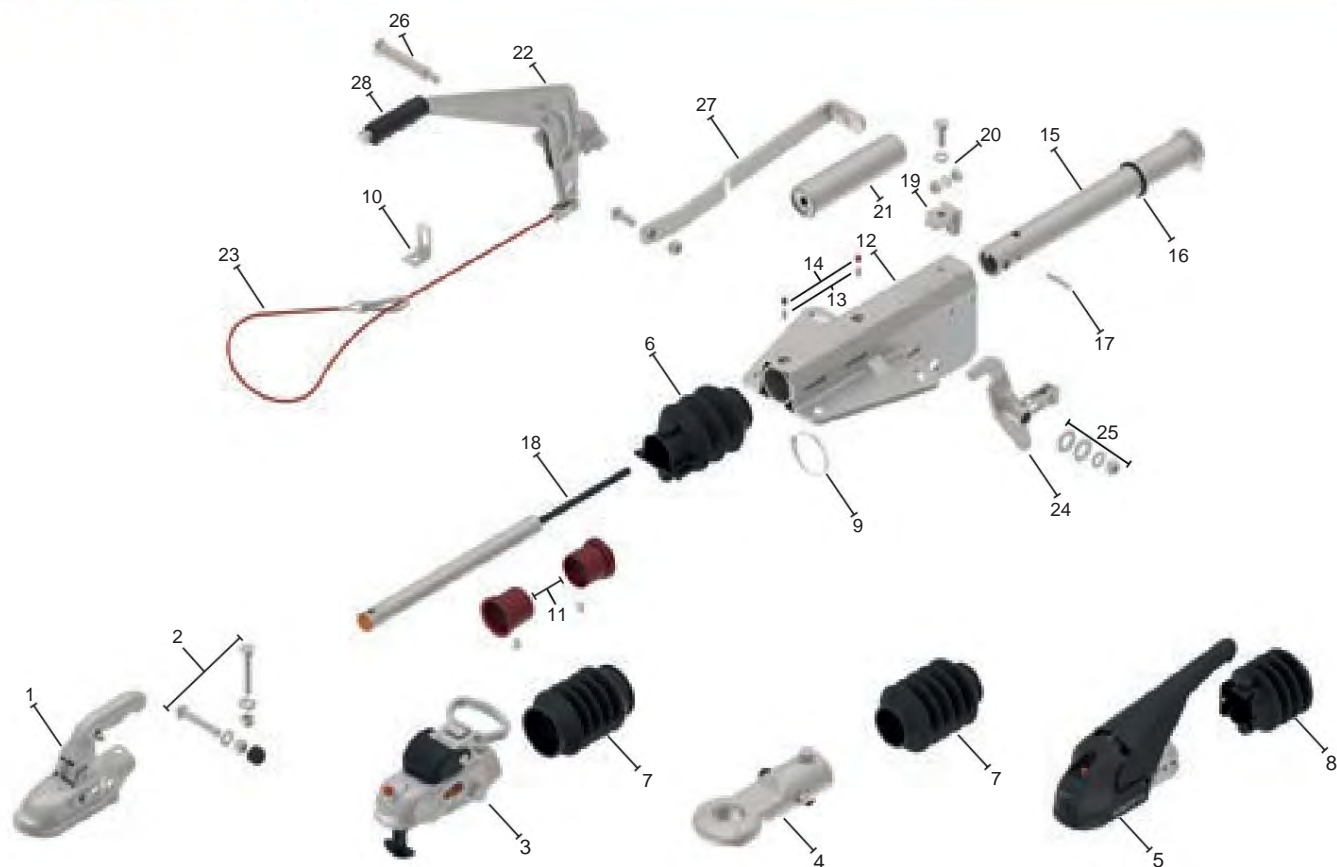
Position			Position		
1	ball coupling	8802399X	16	Stop ring	206596.001
2	Screw set Tow ball coupling	207309.001	17	shock absorbers	87001113
3	ball coupling including screws	207437.001	18	Cylinder pin	D6325.006
4	DIN towing eye including screws	98761693	19	shock absorber mounts	21003494
5	Anti-sway coupling KS30	209954.001	20	Screw set shock absorbers	207310.001
6	Bellows for item 1	69004692	21	Handbrake levers complete.	98703193
7	Bellows for positions 3 and 4	69000393	22		6J1031.006
8	Bellows for item 5	209335.001	23	Breakaway cable	203202.001
9	cable strap	71000194	24	spring sleeve	98702594
10	holders for breakaway cable	206192.001	25	translation levers	98722483
11	Guide bearing set including safety device	208027.001	26	Screw set handbrake lever	207447.001
12	cases galvanized	upon request	27	bolts	41004494
13	grease nipples	48032094			
14	grease nipple caps	69024594			
15	Drawbars incl. item 16	98103094			
16	Stop ring	69001494			



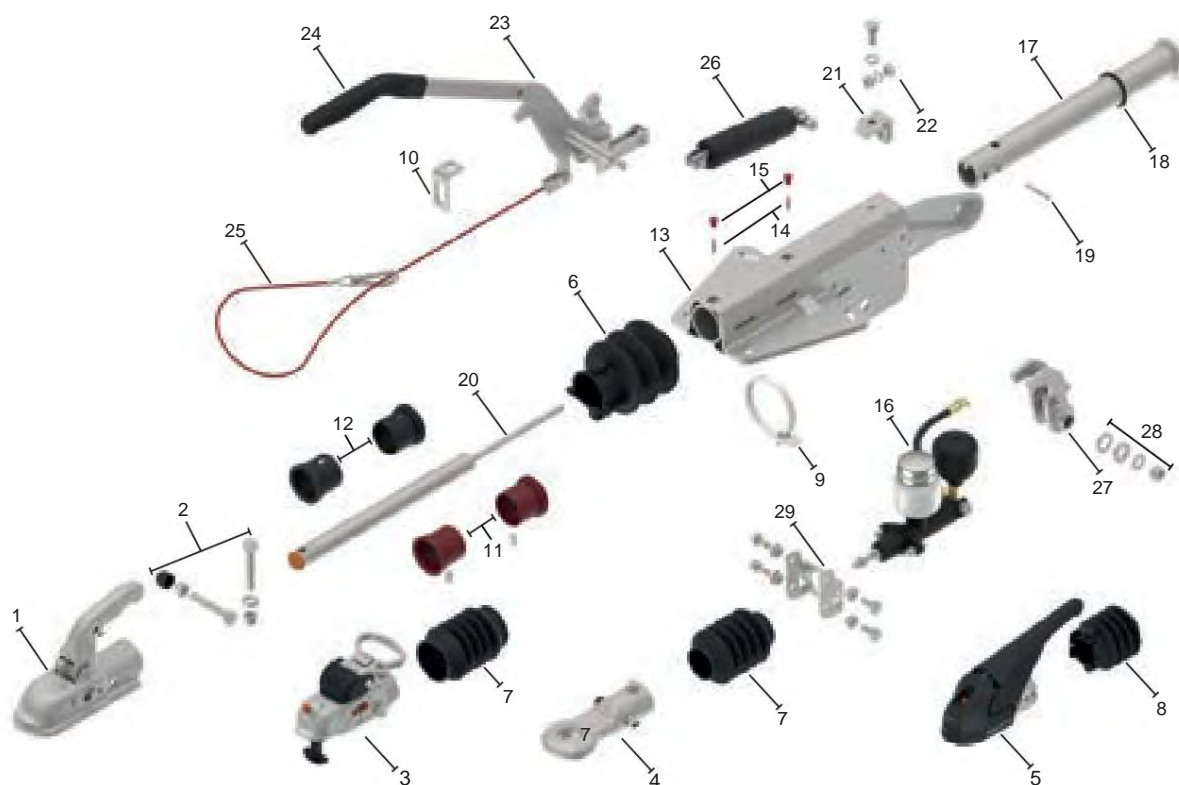
Position			Position		
1	ball coupling	8802399X	18	Cylinder pin	D6325.006
2	Screw set for tow ball coupling, ball	207309.001	19	shock absorbers	87001113
3	coupling including screw material	207437.001	20	shock absorber mounts	21003494
4	DIN towing eye including screws	98761693	21	Screw set shock absorbers	207310.001
5	Anti-sway coupling KS30	209954.001	22	Handbrake levers complete.	201943.001
6	Bellows for position 1	69004692	23		6J1031.006
7	Bellows for positions 3 and 4	69000393	24	Breakaway cable	203202.001
8	Bellows for item 5	209335.001	25	spring accumulators complete.	201856.001
9	cable strap	71000194	26	translation levers	98722483
10	holders for breakaway cable	206192.001	27	Screw set handbrake lever	208230.001
11	Guide bearing set including safety	208027.001			
12	device. with snap closure	208189.001			
13	cases galvanized	upon request			
14	grease nipples	48032094			
15	grease nipple caps	69024594			
16	Drawbars incl. item 17	98103094			
17	Stop ring	206596.001			
17	Stop ring	69001494			



Position			Position		
1	ball coupling	8802399X	19	shock absorber mounts	21003494
2	Screw set for tow ball coupling, ball	207309.001	20	Screw set Shock absorber	207310.001
3	coupling including screw material	207437.001	21	handbrake lever complete. (incl. item 26 spring storage)	206967.002
4	DIN towing eye including screws	98761693	22		204012.001
5	Anti-sway coupling KS30	209954.001	23	Breakaway cable	203202.001
6	Bellows for item 1	69004692	24	translation levers	98722483
7	Bellows for positions 3 and 4	69000393	25	Screw set handbrake lever	208231.001
8	Bellows for item 5	209335.001	26	spring accumulators complete.	207556.001
9	cable strap	71000194			
10	holders for breakaway cable	206192.001			
11	Guide bearing set including safety	208027.001			
12	device. with snap closure	208189.001			
13	cases galvanized	upon request			
14	grease nipples	48032094			
15	grease nipple caps	69024594			
16	Drawbars incl. item 17	98103094			
17	Stop ring	206596.001			
18	shock absorbers	87001113			



Position			Position		
1	ball coupling	8802399X	18	shock absorbers	87001113
2	Screw set for tow ball coupling, ball	207309.001	19	shock absorber mounts	21003494
3	coupling including screw material	207437.001	20	Screw set shock absorbers	207310.001
4	DIN towing eye including screws	98761693	21	spring accumulators complete.	98103393
5	Anti-sway coupling KS30	209954.001	22	Handbrake levers complete.	9853229303
6	Bellows for item 1	69004692	23	Breakaway cable	203202.001
7	Bellows for positions 3 and 4	69000393	24	translation levers	9854419302
8	Bellows for item 5	209335.001	25	Screw set handbrake lever	207447.001
9	cable strap	71000194	26	bolts	41004594
10	holders for breakaway cable	206192.001	27	compression spring holders	34021093
11	Guide bearing set including safety device	208027.001	28		206528.001
12	cases galvanized	upon request			
13	grease nipples	48032094			
14	grease nipple caps	69024594			
15	Drawbar including item 16	98103094			
16	Stop ring	206596.001			
16	Stop ring	69001494			
17	Cylinder pin	D6325.006			



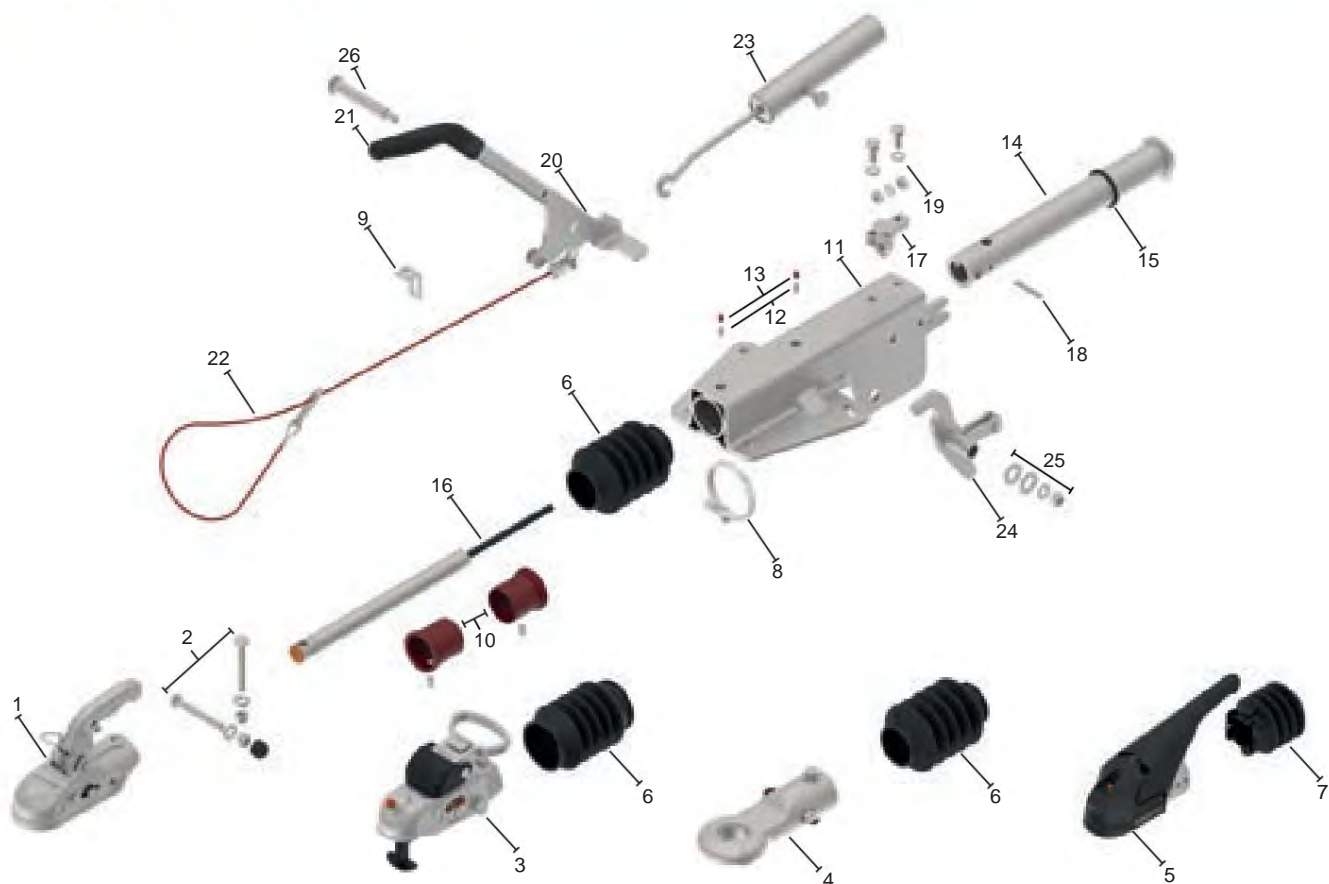
Position			Position		
1	ball coupling	8802399X	17	Drawbar incl. Pos 18	98103094
2	Screw set Tow ball coupling	207309.001	18	Stop ring	206596.001
3	Ball coupling including screw material	207437.001	18	Stop ring	69001494
4	DIN towing eye including screws	98761693	19	Cylinder pin	D6325.006
5	Anti-sway coupling KS30	209954.001	20	shock absorbers	87001113
6	Bellows for item 1	69004692	21	shock absorber mounts	21003494
7	Bellows for positions 3 and 4	69000393	22	Screw set shock absorbers	207310.001
8	Bellows for item 5	209335.001	23	Handbrake levers complete.	203540.002
9	cable strap	71000194	24		6J1031.006
10	holders for breakaway cable	206192.001	25	Breakaway cable	203202.001
11	Guide bearing set including safety device	208027.001	26	spring storage units	201856.001
12	Guide bearing set with snap closure	208189.001	27	translation levers	207783.001
13	cases galvanized	upon request	28	Screw set handbrake lever	208230.001
14	grease nipples	48032094	29	console complete.	209192.001
15	grease nipple caps	69024594			
16	Hydraulic Set	203542.002			



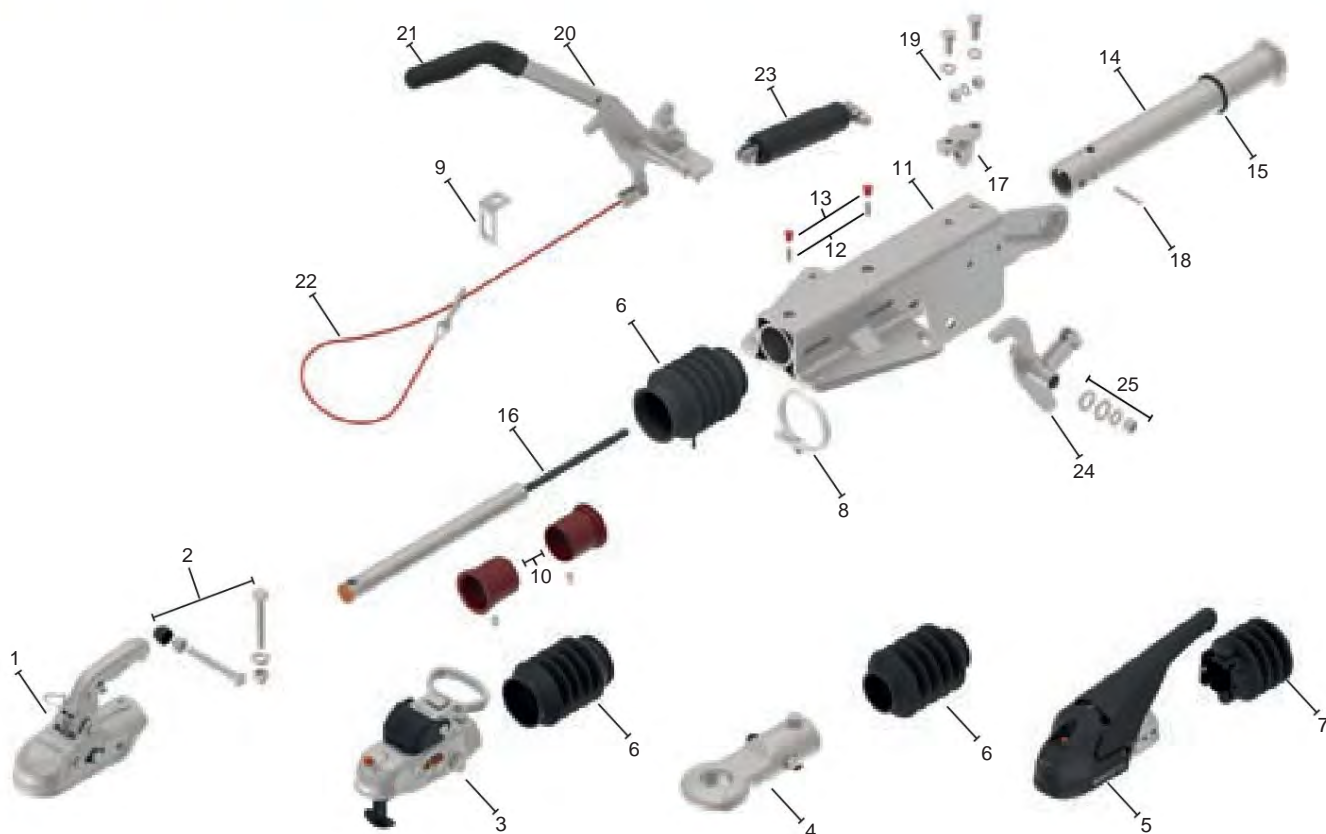
Position			Position		
1	ball coupling	8802389X	17	Stop ring	206596.002
2	Screw set Tow ball coupling	207452.001	18	Cylinder pin	D6325.006
3	Ball coupling including screw material	207437.001	19	shock absorbers	87001113
4	DIN towing eye including screws	98949393	20	shock absorber mounts	21003593
5	Anti-sway coupling KS30	209954.001	21	Screw set shock absorbers	208232.001
6	Bellows for item 1	69004692	22	Handbrake levers complete.	206537.001
7	Bellows for positions 3 and 4	69000393	23		6J1031.006
8	Bellows for item 5	209335.001	24	Breakaway cable	203202.001
9	cable strap	71000194	25	spring accumulators complete.	206382.001
10	holders for breakaway cable	206192.001	26	translation levers	207017.001
11	Guide bearing set with snap closure	208217.001	27	Screw set handbrake lever	208233.001
12	cases	upon request	28	bolts	205572.001
13	skid	206652.001			
14	grease nipples	206156.001			
15	grease nipple caps	69024594			
16	Drawbars incl. item 17	207276.001			



Position			Position		
1	ball coupling	8802709X	17	Stop ring	206596.002
2	Screw set Tow ball coupling	207452.001	18	Cylinder pin	D6325.006
3	Ball coupling including screw material	207437.001	19	shock absorbers	87003113
4	DIN towing eye including screws	98949393	20	shock absorber mounts	21003593
5	Anti-sway coupling KS30	209954.001	21	Screw set shock absorbers	209655.001
6	Bellows for item 1	69004692	22	Handbrake levers complete.	206537.001
7	Bellows for positions 3 and 4	69000393	23		6J1031.006
8	Bellows for item 5	209335.001	24	Breakaway cable	203202.001
9	cable strap	71000194	25	spring accumulators complete.	206382.001
10	holders for breakaway cable	206192.001	26	translation levers	207017.001
11	Guide bearing set with snap closure	208217.001	27	Screw set handbrake lever	208233.001
12	cases	upon request	28	bolts	205572.001
13	skid	206652.001			
14	grease nipples	206156.001			
15	grease nipple caps	69024594			
16	Drawbars incl. item 17	98103894			



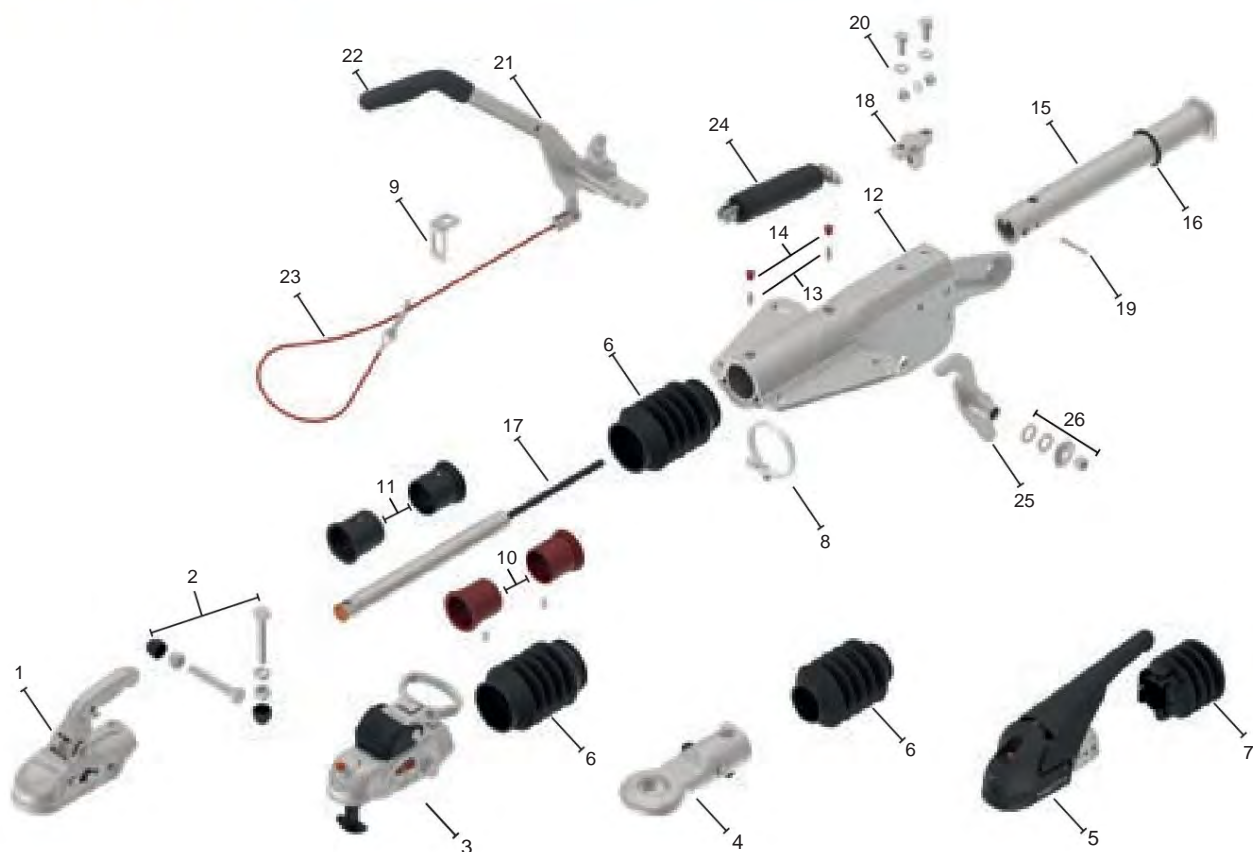
Position			Position		
1	ball coupling	8802409X	16	shock absorbers	87003913
2	Screw set Tow ball coupling	208094.001	17	shock absorber mounts	21003593
3	Ball coupling including screw material	207437.001	18	Cylinder pin	D6325.006
4	DIN towing eye including screws	98949393	19	Screw set shock absorbers	208266.001
5	Anti-sway coupling KS30	209954.001	20	handbrake levers complete.	98703193
6	bellows for positions 1, 3, and 4	69000393	21		6J1031.006
7	Bellows for item 5	209335.001	22	Breakaway cable	203202.001
8	cable strap	71000194	23	Spring sleeve	98702694
9	holders for breakaway cable	206192.001	24	translation levers	200406.001
10	Guide bearing set including safety device	208208.001	25	Screw set handbrake lever	207447.001
11	cases galvanized	upon request	26	bolts	41004594
12	grease nipples	48032094			
13	grease nipple cap	69024594			
14	Drawbar incl. item 15	98103894			
15	Stop ring	206596.002			
15	Stop ring	69001494			



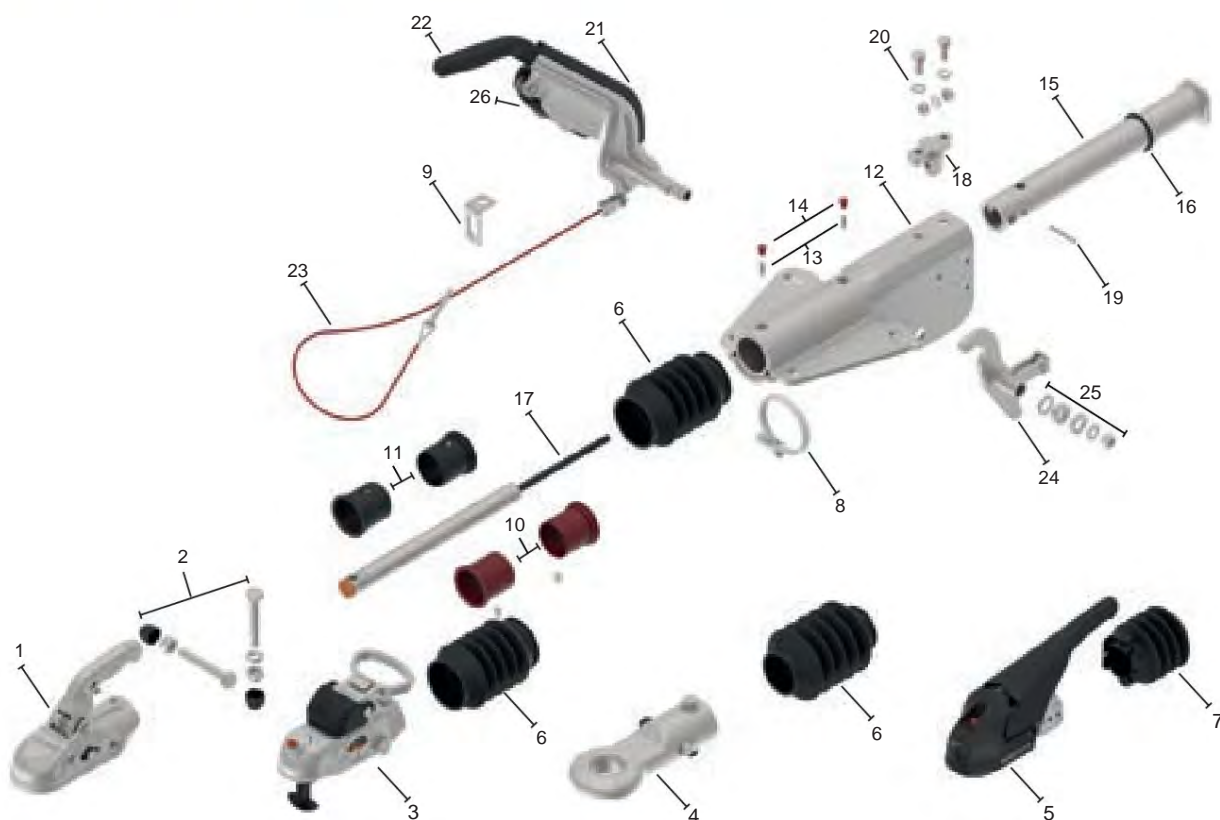
Position			Position		
1	ball coupling	8802409X	16	shock absorbers	87003913
2	Screw set Tow ball coupling	208094.001	17	shock absorber mounts	21003593
3	Ball coupling including screw material	207437.001	18	Cylinder pin	D6325.006
4	DIN towing eye including screws	98949393	19	Screw set shock absorbers	208266.001
5	Anti-sway coupling KS30	209954.001	20	handbrake levers complete.	202682.002
6	bellows for positions 1, 3, and 4	69000393	21		6J1031.006
7	Bellows for item 5	209335.001	22	Breakaway cable	203202.001
8	cable strap	71000194	23	spring accumulators complete.	201856.001
9	holders for breakaway cable	206192.001	24	translation levers	200406.001
10	Guide bearing set including safety device	208208.001	25	Screw set handbrake lever	207447.001
11	cases galvanized	upon request			
12	grease nipples	48032094			
13	grease nipple cap	69024594			
14	Drawbar incl. item 15	98103894			
15	Stop ring	206596.002			
15	Stop ring	69001494			



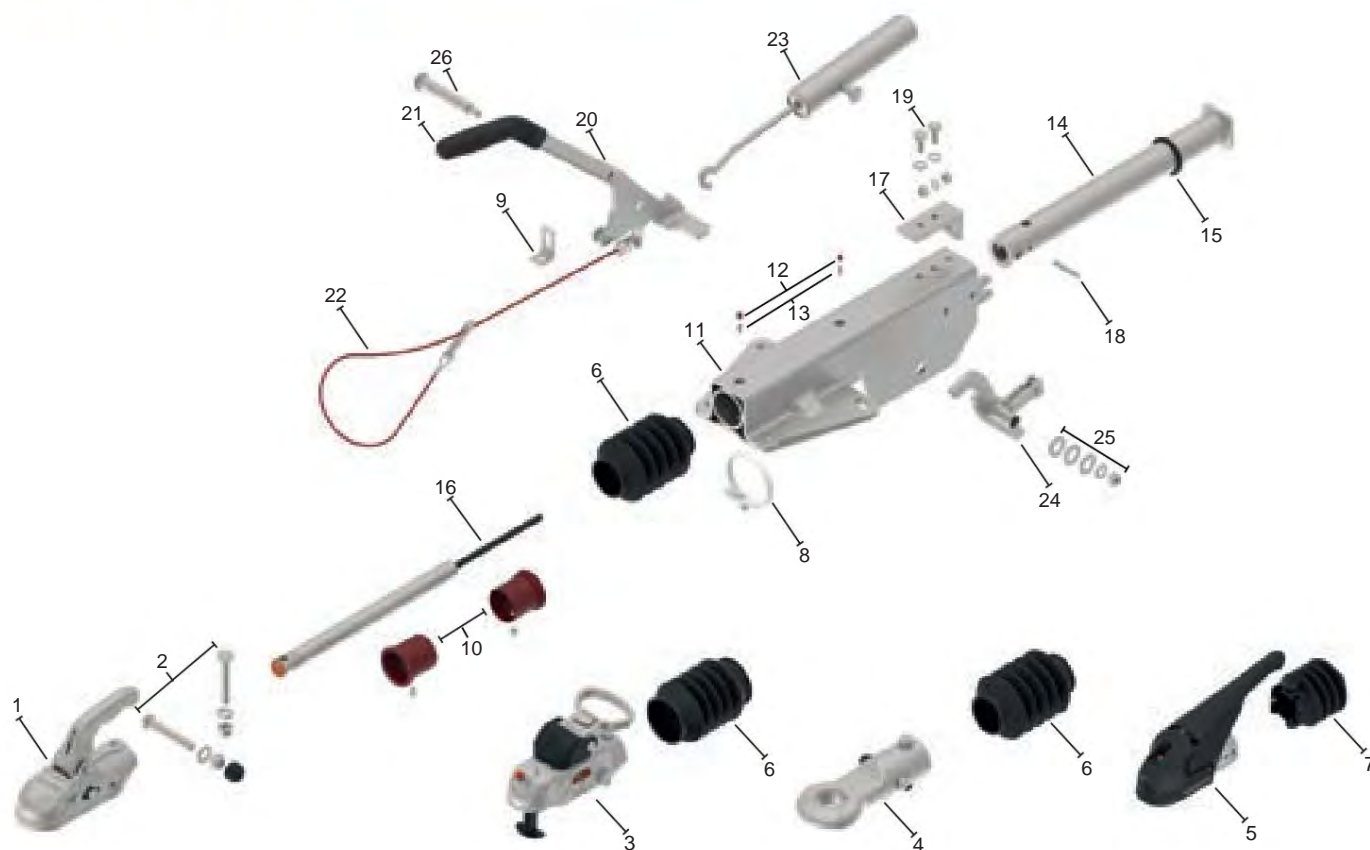
Position			Position		
1	ball coupling	8802709X	17	Stop ring	206596.002
2	Screw set Tow ball coupling	208352.001	18	Cylinder pin	D6325.006
3	Ball coupling including screw material	206799.001	19	shock absorbers	8710311314
4	DIN towing eye including screws	98949393	20	shock absorber mounts	205926.001
5	Anti-sway coupling KS30	209954.003	21	Screw set shock absorbers	208232.001
6	Bellows for item 1	69004692	22	Handbrake levers complete.	206537.001
7	Bellows for positions 3 and 4	69000393	23		6J1031.006
8	Bellows for item 5	209335.001	24	Breakaway cable	203202.001
9	cable strap	71000194	25	spring accumulators complete.	206382.001
10	holders for breakaway cable	206192.001	26	translation levers	207017.001
11	Guide bearing set with snap closure	208217.001	27	Screw set handbrake lever	208262.001
12	cases	upon request	28	bolts	205572.002
13	skid	206652.001			
14	grease nipples	206156.001			
15	grease nipple caps	69024594			
16	Drawbars incl. item 17	722660.001			



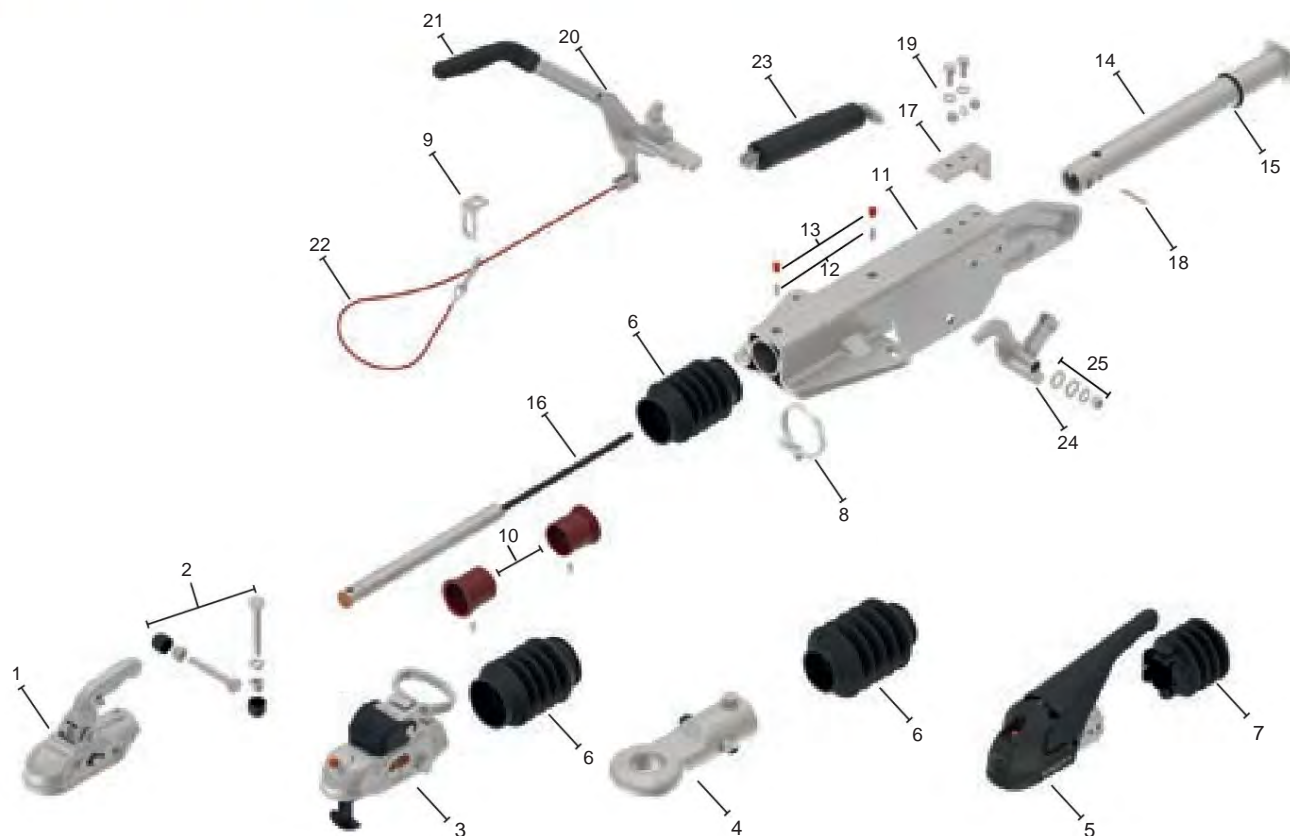
Position			Position		
1	ball coupling	8802709X	16	Stop ring	69001494
2	Screw set Tow ball coupling	208352.001	17	shock absorbers	8700311314
3	Ball coupling including screw material	206799.001	18	shock absorber mounts	21003593
4	DIN towing eye including screws	98761993	19	Cylinder pin	D6325.006
5	Anti-sway coupling KS30	209954.003	20	Screw set shock absorbers	208266.001
6	bellows for positions 1, 3, and 4	69000393	21	Handbrake levers complete.	202682.002
7	Bellows for item 5	209335.001	22		6J1031.006
8	cable strap	71000194	23	Breakaway cable	203202.001
9	holders for breakaway cable	206192.001	24	spring accumulators complete.	201856.001
10	Guide bearing set including safety device	208208.001	25	translation levers	207017.001
11	Guide bearing set with snap closure	208217.001	26	Screw set handbrake lever	207447.001
12	cases galvanized	upon request			
13	grease nipples	48032094			
14	grease nipple caps	69024594			
15	Drawbars incl. item 16	207089.001			
16	Stop ring	206596.002			



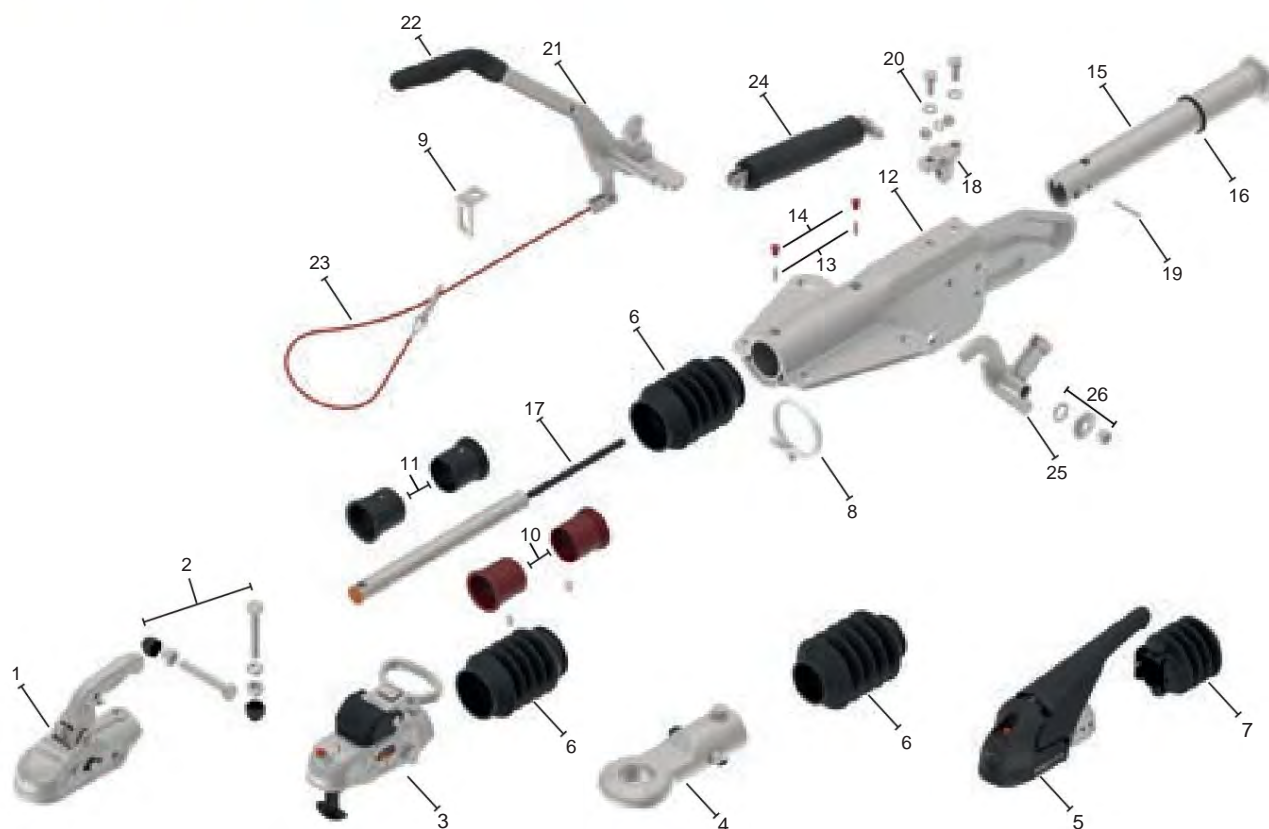
Position			Position		
1	ball coupling	8802709X	17	shock absorbers	8700311314
2	Screw set Tow ball coupling	208352.001	18	shock absorber mounts	21003593
3	Ball coupling including screw material	206799.001	19	Cylinder pin	D6325.006
4	DIN towing eye including screws	98761993	20	Screw set shock absorbers	208266.001
5	Anti-sway coupling KS30	209954.003	21	Complete handbrake lever. (incl. spring storage item 26)	206967.001
6	bellows for positions 1, 3, and 4	69000393	22		6J1031.006
7	Bellows for item 5	209335.001	23	Breakaway cable	203202.001
8	cable strap	71000194	24	translation levers	207017.001
9	holders for breakaway cable	206192.001	25	Screw set handbrake lever	208262.001
10	Guide bearing set including safety device	208208.001	26	spring accumulators complete.	207556.001
11	Guide bearing set with snap closure	208217.001			
12	cases galvanized	upon request			
13	grease nipples	48032094			
14	grease nipple caps	69024594			
15	Drawbars incl. item 16	207089.001			
16	Stop ring	206596.002			



Position			Position		
1	ball coupling	8802539X	16	shock absorbers	87001413
2	Screw set Tow ball coupling	208352.001	17	shock absorber mounts	34005294
3	Ball coupling including screw material	206799.001	18	Cylinder pin	D6325.008
4	DIN towing eye including screws	98761993	19	Screw set shock absorbers	208266.001
5	Anti-sway coupling KS30	209954.003	20	handbrake levers complete.	98703193
6	bellows for positions 1, 3, and 4	69000393	21		6J1031.006
7	Bellows for item 5	209335.001	22	Breakaway cable	203202.001
8	cable strap	71000194	23	Spring sleeve	98702694
9	holders for breakaway cable	206192.001	24	translation levers	200406.001
10	Guide bearing set including safety device	208208.001	25	Screw set handbrake lever	207447.001
11	cases galvanized	upon request	26	bolts	41004594
12	grease nipples	48032094			
13	grease nipple cap	69024594			
14	Drawbar incl. item 15	98596283			
15	Stop ring	206596.002			
15	Stop ring	69001494			



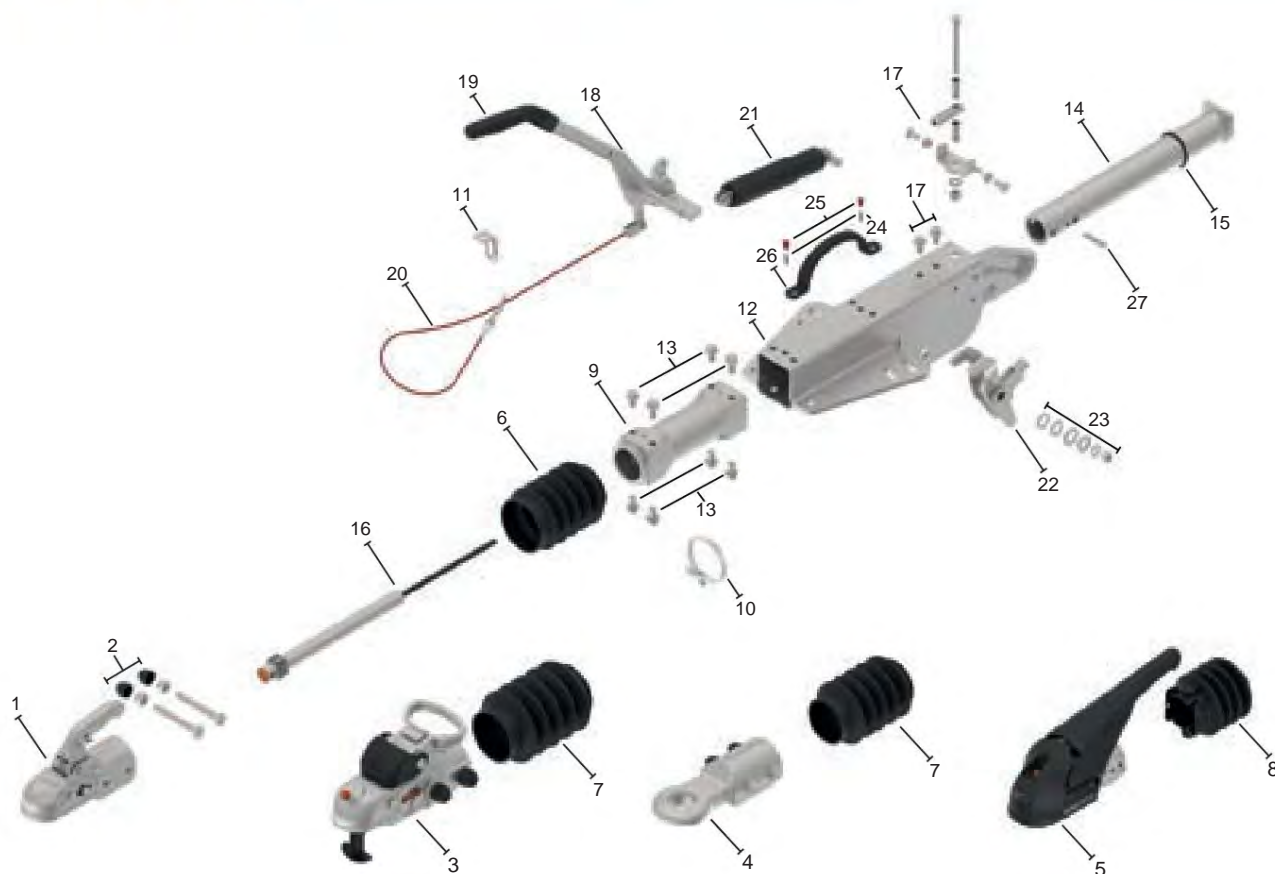
Position			Position		
1	ball coupling	8802539X	16	shock absorbers	87001413
2	Screw set Tow ball coupling	208352.001	17	shock absorber mounts	34005294
3	Ball coupling including screw material	206799.001	18	Cylinder pin	D6325.008
4	DIN towing eye including screws	98761993	19	Screw set shock absorbers	208266.001
5	Anti-sway coupling KS30	209954.003	20	handbrake levers complete.	202682.002
6	bellows for positions 1, 3, and 4	69000393	21		6J1031.006
7	Bellows for item 5	209335.001	22	Breakaway cable	203202.001
8	cable strap	71000194	23	spring accumulators complete.	202453.001
9	holders for breakaway cable	206192.001	24	translation levers	200406.001
10	Guide bearing set including safety device	208208.001	25	Screw set handbrake lever	207447.001
11	cases galvanized	upon request			
12	grease nipples	48032094			
13	grease nipple cap	69024594			
14	Drawbar incl. item 15	98596283			
15	Stop ring	206596.002			
15	Stop ring	69001494			



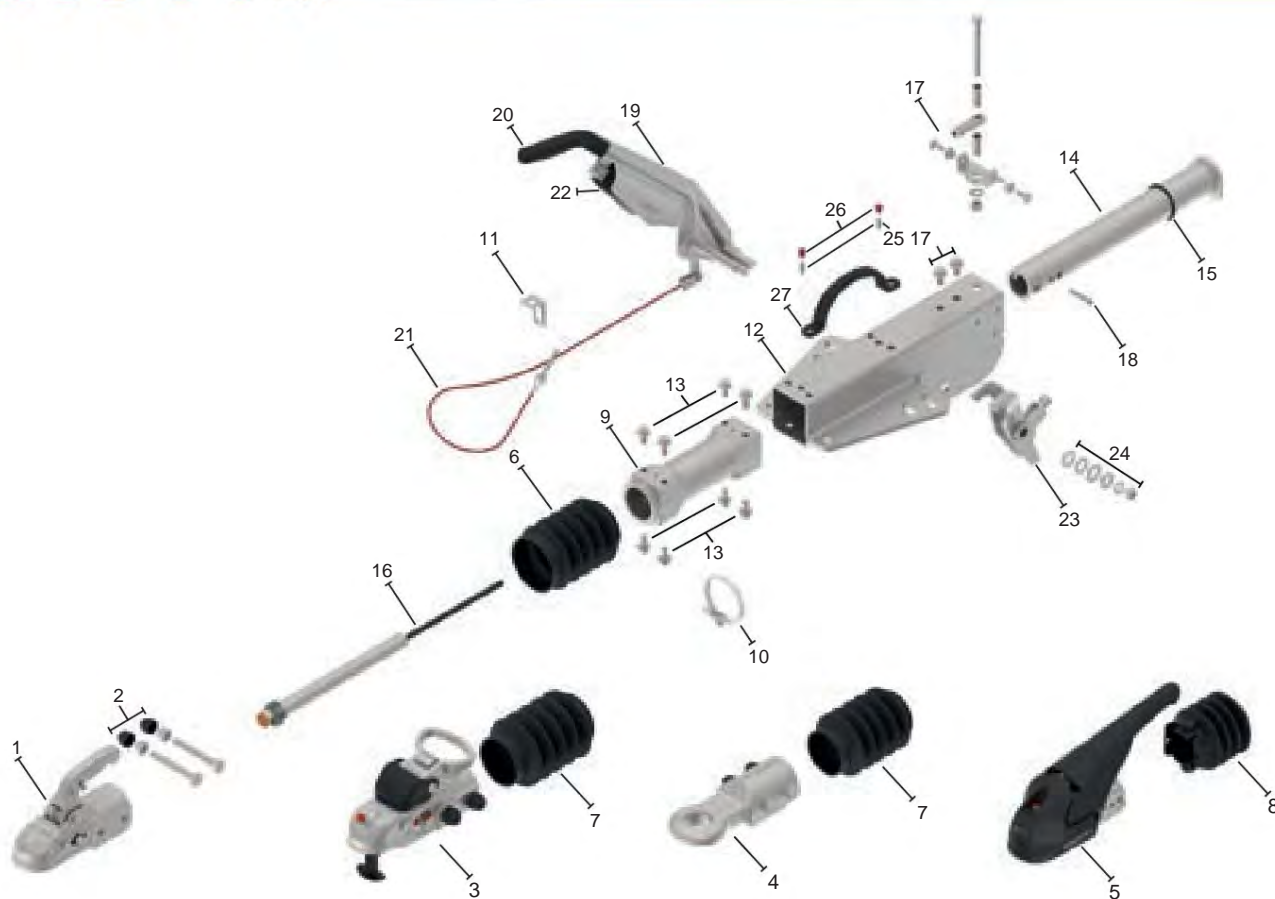
Position			Position		
1	ball coupling	8802539X	16	Stop ring	69001494
2	Screw set Tow ball coupling	208352.001	17	shock absorbers	8700391314
3	Ball coupling including screw material	206799.001	18	shock absorber mounts	21003593
4	DIN towing eye including screws	98761993	19	Cylinder pin	D6325.008
5	Anti-sway coupling KS30	209954.003	20	Screw set shock absorbers	208266.001
6	bellows for positions 1, 3, and 4	69000393	21	Handbrake levers complete.	202682.002
7	Bellows for item 5	209335.001	22		6J1031.006
8	cable strap	71000194	23	Breakaway cable	203202.001
9	holders for breakaway cable	206192.001	24	spring accumulators complete.	202453.001
10	Guide bearing set including safety device	208208.001	25	translation levers	200406.001
11	Guide bearing set with snap closure	208217.001	26	Screw set handbrake lever	207447.001
12	cases galvanized	upon request			
13	grease nipples	48032094			
14	grease nipple caps	69024594			
15	Drawbars incl. item 16	202041.001			
16	Stop ring	206596.002			



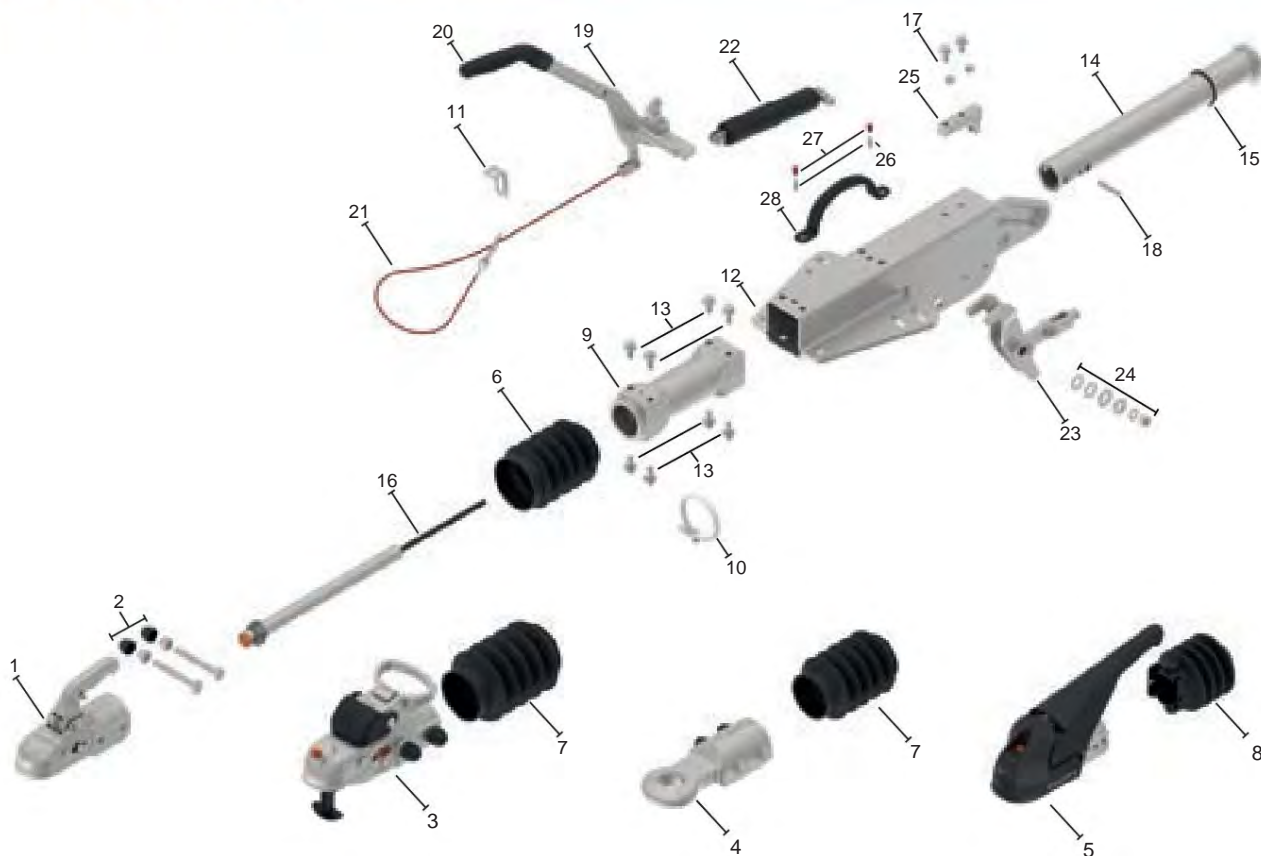
Position			Position		
1	ball coupling	8802539X	17	shock absorbers	8700391314
2	Screw set Tow ball coupling	208352.001	18	shock absorber mounts	21003593
3	Ball coupling including screw material	206799.001	19	Cylinder pin	D6325.008
4	DIN towing eye including screws	98761993	20	Screw set shock absorbers	208266.001
5	Anti-sway coupling KS30	209954.003	21	Complete handbrake lever. (incl. item 26 spring storage)	205057.001
6	bellows for positions 1, 3, and 4	69000393	22		6J1031.006
7	Bellows for item 5	209335.001	23	Breakaway cable	203202.001
8	cable strap	71000194	24	translation levers	200406.001
9	holders for breakaway cable	206192.001	25	Screw set handbrake lever	208231.001
10	Guide bearing set including safety device	208208.001	26	spring accumulators complete.	204306.001
11	Guide bearing set with snap closure	208217.001			
12	cases galvanized	upon request			
13	grease nipples	48032094			
14	grease nipple caps	69024594			
15	Drawbars incl. item 16	202041.001			
16	Stop ring	206596.002			



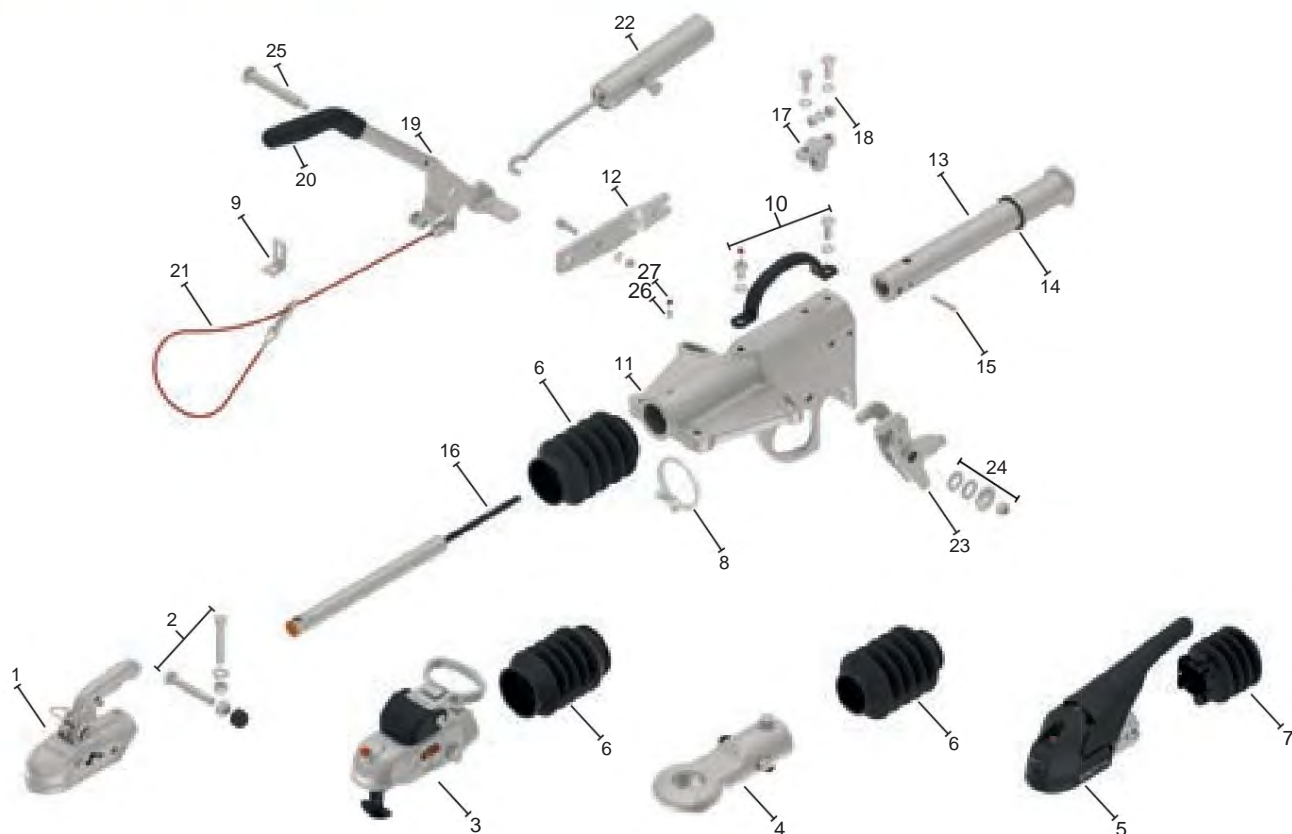
Position			Position		
1	ball coupling	8802559X	17	Screw set shock absorbers	208260.001
2	Screw set Tow ball coupling	207439.001	18	handbrake levers complete.	202682.001
3	Ball coupling including screw material	206045.001	19		6J1031.006
4	DIN towing eye including screws	98762093	20	Breakaway cable	203202.001
5	Anti-sway coupling KS35	210208.001	21	spring accumulators complete.	202086.001
6	Bellows for item 1	200175.001	22	translation levers	206046.001
7	Bellows for positions 3 and 4	69000393	23	Screw set handbrake lever	208233.001
8	Bellows for item 5	209351.001	24	grease nipples	202164.001
9	Command Camps	204811.001	25	grease nipple caps	69024594
10	cable strap	71000194	26		4300739302
11	Breakaway cable holder	206192.001	27	Threaded pin	D913.010
12	complete housings, galvanized.	upon request			
13	Screw set Command camp	208357.001			
14	Drawbar incl. item 15	203146.001			
15	Stop ring	69004394			
16	shock absorbers	87003613			



Position			Position		
1	complete ball coupling	8802559X	17	Screw set shock absorbers	208260.001
2	Screw set Tow ball coupling	207439.001	18	Threaded pin	D913.010
3	Ball coupling including screw material	206045.001	19	Complete handbrake lever. (incl. item 22 spring storage)	205057.002
4	DIN towing eye including screws	98762093	20		6J1031.006
5	Anti-sway coupling KS35	210208.001	21	Breakaway cable	203202.001
6	Bellows for item 1	200175.001	22	spring accumulators complete.	204306.001
7	Bellows for positions 3 and 4	69000393	23	translation levers	98812993
8	Bellows for item 5	209351.001	24	Screw set handbrake lever	208233.001
9	Command Camps	204811.001	25	grease nipples	202164.001
10	cable strap	71000194	26	grease nipple cap	69024594
11	Breakaway cable holder	206192.001	27		4300739302
12	complete housings, galvanized.	upon request			
13	Screw set Command camp	208357.001			
14	Drawbar incl. item 15	203146.001			
15	Stop ring	69004394			
16	shock absorbers	87003613			



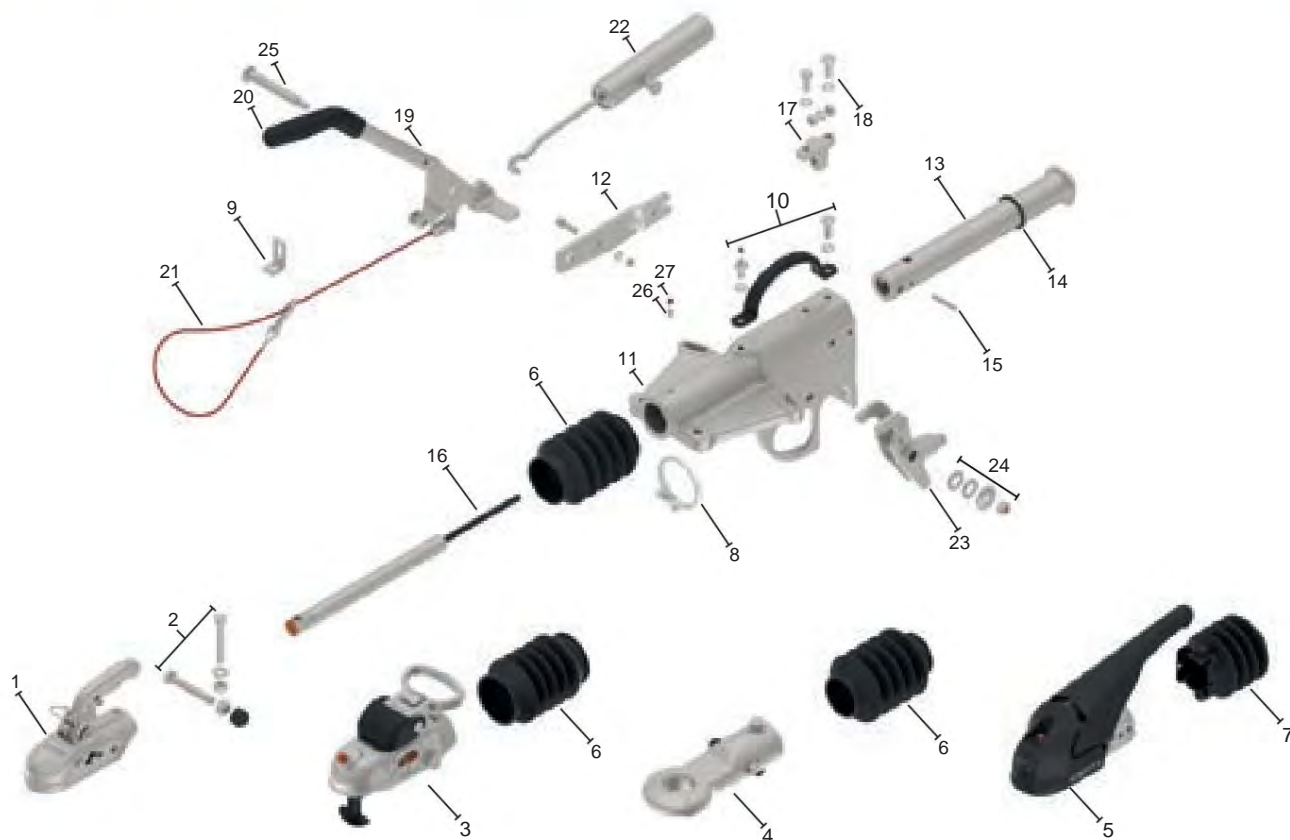
Position			Position		
1	complete ball coupling	9896129301	17	Screw set shock absorbers	208261.001
2	Screw set Tow ball coupling	207439.001	18	Threaded pin	D913.010
3	Ball coupling including screw material	206799.001	19	handbrake levers complete.	202682.001
4	DIN towing eye including screws	98762093	20		6J1031.006
5	Anti-sway coupling KS30	210208.001	21	Breakaway cable	203202.001
6	Bellows for item 1	200175.001	22	spring accumulators complete.	202086.001
7	Bellows for positions 3 and 4	69000393	23	translation levers	206046.001
8	Bellows for item 5	209335.001	24	Screw set handbrake lever	208233.001
9	Command Camps	204811.001	25	shock absorber mounts	205246.001
10	cable strap	71000194	26	grease nipples	202164.001
11	Breakaway cable holder	206192.001	27	grease nipple cap	69024594
12	complete housings, galvanized.	upon request	28		4300739302
13	Screw set guide bearing 208357.001				
14	Drawbar incl. item 15	205249.001			
15	Stop ring	69004394			
16	shock absorbers	87004313			



Position			Position		
1	ball coupling	98847893	16	shock absorbers	87001113
2	Screw set Tow ball coupling	208094.001	17	shock absorber mounts	21003593
3	Ball coupling including screw material	207437.001	18	Screw set shock absorbers	207456.001
4	DIN towing eye including screws	98761693	19	handbrake levers complete.	98703193
5	Anti-sway coupling KS30	209954.001	20		6J1031.006
6	bellows for positions 1 + 3 + 4	69000393	21	Breakaway cable	203202.001
7	Bellows for item 5	209335.001	22	Spring sleeve	98702594
8	cable strap	71000194	23	translation levers	98812993
9	holders for breakaway cable	206192.001	24	Screw set handbrake lever	207447.001
10		207449.001	25	bolts	41004694
11	cases galvanized	upon request	26	grease nipples	48032094
12	compression spring holder set	207446.001	27	grease nipple cap	69024594
13	Drawbar incl. Pos 14	98103094			
14	Stop ring	206596.001			
14	Stop ring	69001494			
15	Cylinder pin	D6325.008			



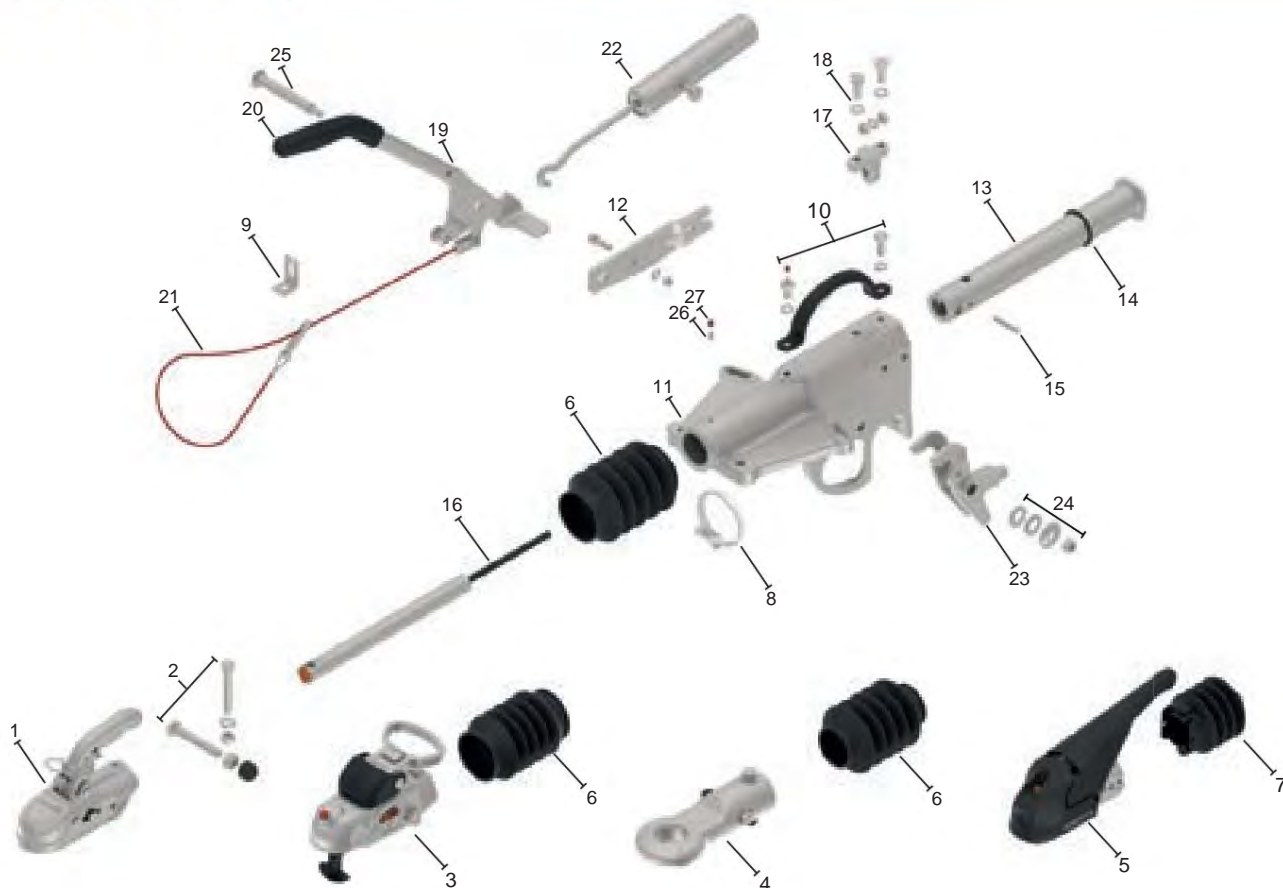
Position			Position		
1	ball coupling	8802419X	16	Cylinder pin	D6325.006
2	Screw set Tow ball coupling	208094.001	17	shock absorbers	87001113
3	Ball coupling including screw material	207437.001	18	shock absorber mounts	21003593
4	DIN towing eye including screws	98761693	19	Screw set shock absorbers	207456.001
5	Anti-sway coupling KS30	209954.001	20	handbrake levers complete.	202682.001
6	bellows for positions 1 + 3 + 4	69000393	21		6J1031.006
7	Bellows for item 5	209335.001	22	Breakaway cable	203202.001
8	cable strap	71000194	23	spring accumulators complete.	202453.001
9	holders for breakaway cable	206192.001	24	translation levers	98812993
10		207449.001	25	Screw set handbrake lever	207447.001
11	cases galvanized	upon request	26	plugs	206552.001
12	Spring Storage Holder Set	207441.001	27	grease nipples	48032094
13	skid	206593.001	28	grease nipple caps	69024594
14	Drawbar incl. item 15	98103094			
15	Stop ring	205596.001			
15	Stop ring	69001494			



Position			Position		
1	ball coupling	8802409X	16	shock absorbers	87003113
2	Screw set Tow ball coupling	207452.001	17	shock absorber mounts	21003593
3	Ball coupling including screw material	207437.001	18	Screw set shock absorbers	207456.001
4	DIN towing eye including screws	98949393	19	handbrake levers complete.	98703193
5	Anti-sway coupling KS30	209954.001	20		6J1031.006
6	bellows for positions 1 + 3 + 4	69000393	21	Breakaway cable	203202.001
7	Bellows for item 5	209335.001	22	Spring sleeve	98702694
8	cable strap	71000194	23	translation levers	98812993
9	holders for breakaway cable	206192.001	24	Screw set handbrake lever	207447.001
10		207449.001	25	bolts	41004694
11	cases galvanized	upon request	26	grease nipples	48032094
12	compression spring holder set	207446.001	27	grease nipple cap	69024594
13	Drawbar incl. Pos 14	98103894			
14	Stop ring	206596.002			
14	Stop ring	69001494			
15	Cylinder pin	D6325.008			



Position			Position		
1	ball coupling	8802409X	16	Cylinder pin	D6325.008
2	Screw set Tow ball coupling	207452.001	17	shock absorbers	87003913
3	Ball coupling including screw material	207437.001	18	shock absorber mounts	21003593
4	DIN towing eye including screws	98949393	19	Screw set shock absorbers	207456.001
5	Anti-sway coupling KS30	209954.001	20	handbrake levers complete.	202682.001
6	bellows for positions 1 + 3 + 4	69000393	21		6J1031.006
7	Bellows for item 5	209335.001	22	Breakaway cable	203202.001
8	cable strap	71000194	23	spring accumulators complete.	202453.001
9	holders for breakaway cable	206192.001	24	translation levers	98812993
10		207449.001	25	Screw set handbrake lever	207447.001
11	cases galvanized	upon request	26	plugs	206552.001
12	Spring Storage Holder Set	207441.001	27	grease nipples	48032094
13	skid	206593.001	28	grease nipple caps	69024594
14	Drawbar incl. item 15	98103894			
15	Stop ring	206596.002			
15	Stop ring	69001494			



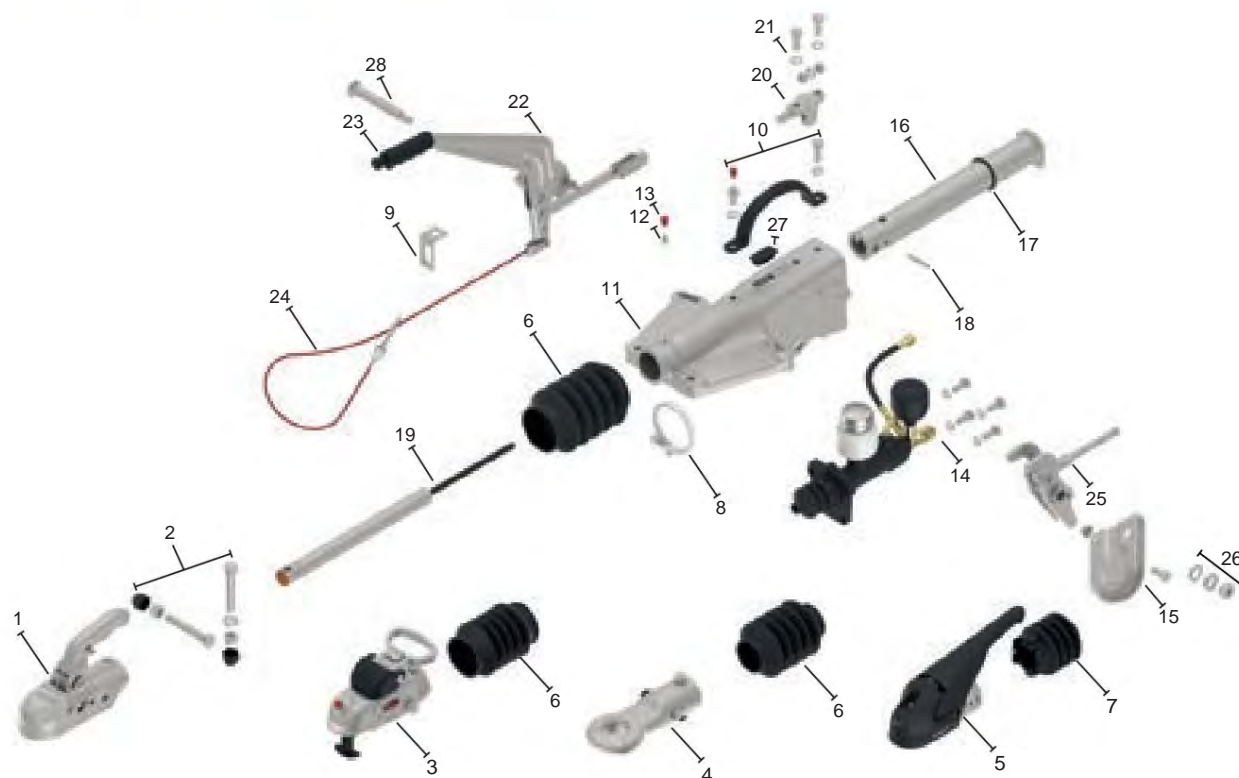
Position			Position		
1	ball coupling	8802529X	16	shock absorbers	87003913
2	Screw set Tow ball coupling	207448.001	17	shock absorber mounts	21003593
3	Ball coupling including screw material	206799.002	18	Screw set shock absorbers	207456.001
4	DIN towing eye including screws	98949493	19	handbrake levers complete.	98703193
5	Anti-sway coupling KS30	209954.003	20		6J1031.006
6	bellows for positions 1 + 3 + 4	69000393	21	Breakaway cable	203202.001
7	Bellows for item 5	209335.001	22	Spring sleeve	98702694
8	cable strap	71000194	23	translation levers	98812993
9	holders for breakaway cable	206192.001	24	Screw set handbrake lever	207447.001
10		207449.001	25	bolts	41004694
11	cases galvanized	upon request	26	grease nipples	48032094
12	compression spring holder set	207446.001	27	Nipple cap	69024594
13	Pull rod incl. item 14	98857593			
14	Stop ring	206596.002			
14	Stop ring	69001494			
15	Cylinder pin	D6325.008			



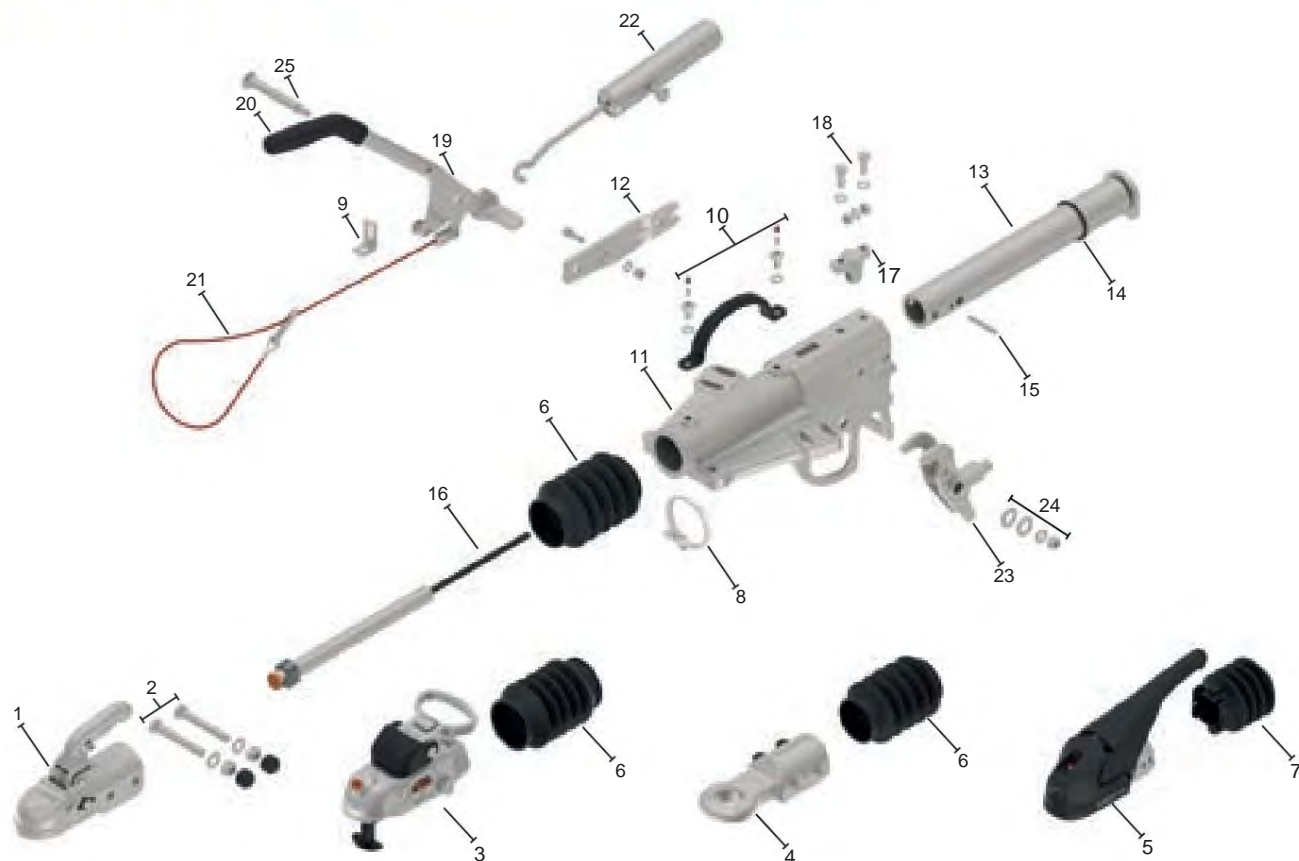
Position			Position		
1	ball coupling	8802529X	16	Cylinder pin	D6325.008
2	Screw set Tow ball coupling	207448.001	17	shock absorbers	87003913
3	Ball coupling including screw material	206799.002	18	shock absorber mounts	21003593
4	DIN towing eye including screws	98949493	19	Screw set shock absorbers	207456.001
5	Anti-sway coupling KS30	209954.003	20	handbrake levers complete.	202682.001
6	bellows for positions 1 + 3 + 4	69000393	21		6J1031.006
7	Bellows for item 5	209335.001	22	Breakaway cable	203202.001
8	cable strap	71000194	23	spring accumulators complete.	202453.001
9	holders for breakaway cable	206192.001	24	translation levers	98812993
10		207449.001	25	Screw set handbrake lever	207447.001
11	cases galvanized	upon request	26	plugs	206552.001
12	Spring Storage Holder Set	207441.001	27	grease nipples	48032094
13	skid	206593.001	28	grease nipple caps	69024594
14	Drawbar incl. item 15	98857593			
15	Stop ring	206596.002			
15	Stop ring	69001494			



Position			Position		
1	ball coupling	8802529X	16	shock absorbers	87003913
2	Screw set Tow ball coupling	207448.001	17	shock absorber mounts	21003593
3	Ball coupling including screw material	206799.002	18	Screw set shock absorbers	207456.001
4	DIN towing eye including screws	98949493	19	Complete handbrake lever. (incl. spring storage item 22)	205057.002
5	Anti-sway coupling KS30	209954.003	20		6J1031.006
6	bellows for positions 1 + 3 + 4	69000393	21	Breakaway cable	203202.001
7	Bellows for item 5	209335.001	22	spring accumulators complete.	202453.001
8	cable strap	71000194	23	translation levers	98812993
9	holders for breakaway cable	206192.001	24	Screw set handbrake lever	207447.001
10		207449.001	25	plugs	206552.001
11	cases galvanized	upon request	26	Tab GFH	204465.001
12	skid	206593.001	27	grease nipples	48032094
13	Drawbar incl. Pos 14	98857593	28	grease nipple caps	69024594
14	Stop ring	206596.002			
14	Stop ring	69001494			
15	Cylinder pin	D6325.006			



Position			Position		
1	ball coupling	8802529X	17	Stop ring	206596.002
2	Screw set Tow ball coupling	207448.001	17	Stop ring	69001494
3	Ball coupling including screw material	206799.002	18	Cylinder pin	D6325.008
4	DIN towing eye including screws	98949493	19	shock absorbers	87003913
5	Anti-sway coupling KS30	209954.003	20	shock absorber mounts	21003593
6	bellows for positions 1, 3, and 4	69000393	21	Screw set shock absorbers	207456.001
7	Bellows for item 5	209335.001	22	Handbrake levers complete.	98866493
8	cabl strap	71000194	23		6J1031.006
9	holders for breakaway cable	206192.001	24	Breakaway cable	203202.002
10		207449.001	25	translation levers	98703693
11	cases galvanized	upon request	26	Screw set handbrake lever	207447.001
12	grease nipples	48032094	27	plugs	206552.001
13	grease nipple cap	69024594	28	bolts	41006094
14	Hydraulic unit complete.	210066.001			
15	complete skid plates.	206593.001			
16	Drawbars incl. item 17	98857593			



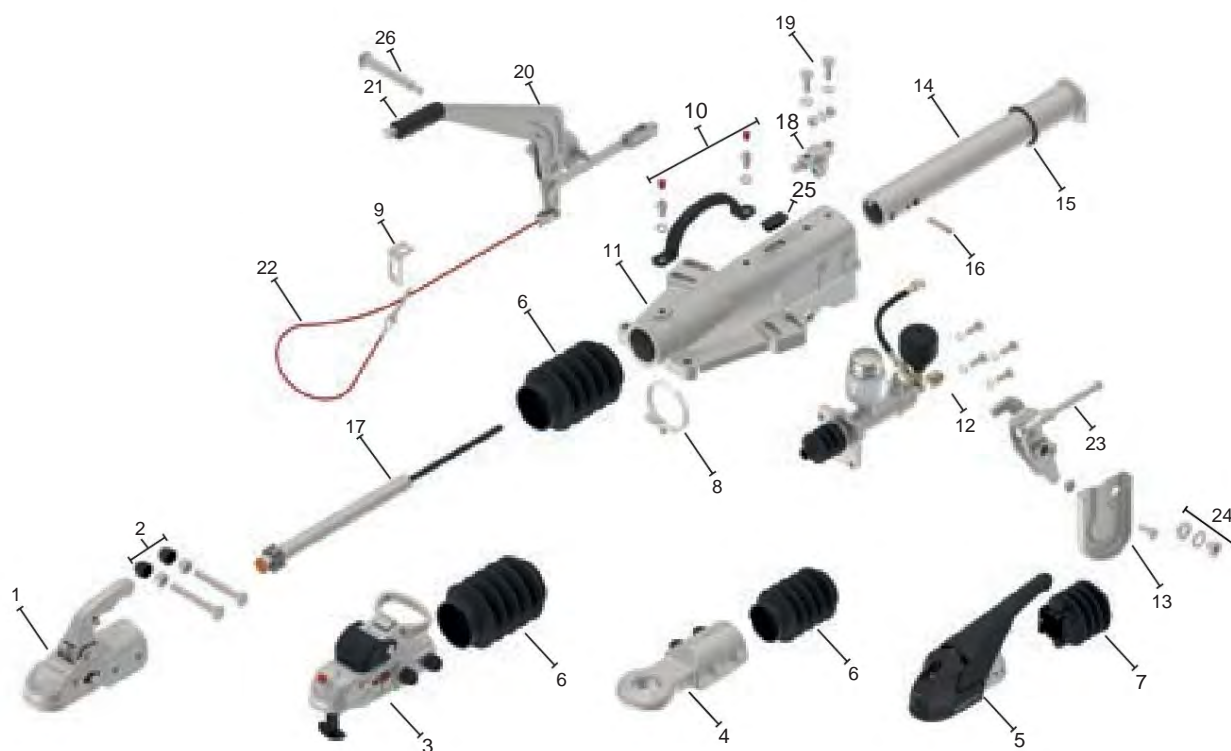
Position			Position		
1	ball coupling	8802559X	16	shock absorbers	87003613
2	Screw set Tow ball coupling	207439.001	17	shock absorber mounts	21004793
3	Ball coupling including screw material	206045.001	18	Screw set shock absorbers	207456.001
4	DIN towing eye including screws	98762093	19	handbrake levers complete.	98703193
5	Anti-sway coupling KS35	210208.001	20		6J1031.006
6	bellows for positions 1, 3, and 4	200175.001	21	Breakaway cable	203202.001
7	Bellows for item 5	209351.001	22	Spring sleeve	98702694
8	cable strap	71000194	23	translation levers	98812993
9	holders for breakaway cable	206192.001	24	Screw set handbrake lever	207447.001
10		207440.001	25	bolts	41004694
11	cases galvanized	upon request			
12	compression spring holder set	207446.001			
13	Pull rod incl. item 14	203146.001			
14	Stop ring	206596.003			
14	Stop ring	69004394			
15	Threaded pin	D913.010			



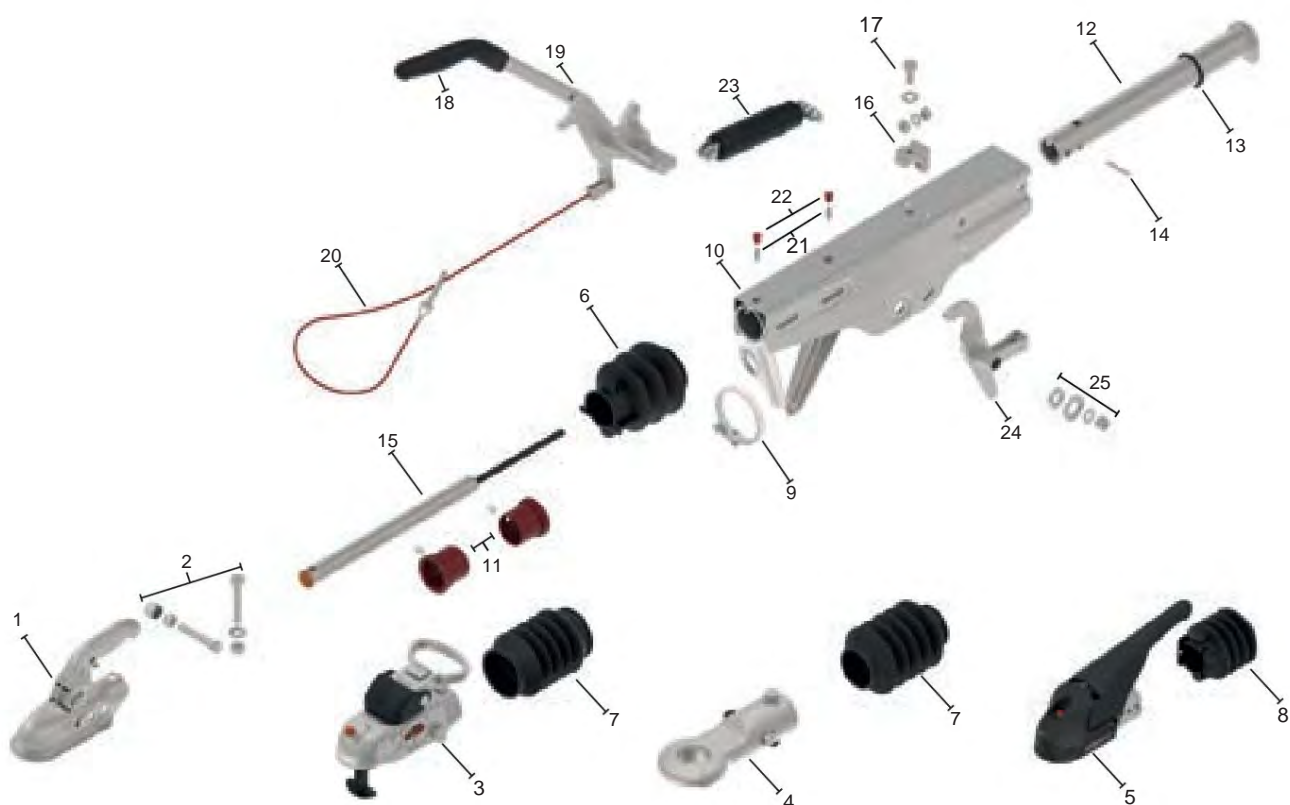
Position			Position		
1	ball coupling	8802559X	16	threaded pin	D913.010
2	Screw set Tow ball coupling	207439.001	17	shock absorbers	87003613
3	Ball coupling including screw material	206045.001	18	shock absorber mounts	21004793
4	DIN towing eye including screws	98762093	19	Screw set shock absorbers	207456.001
5	Anti-sway coupling KS35	210208.001	20	handbrake levers complete.	202682.001
6	bellows for positions 1, 3, and 4	200175.001	21		6J1031.006
7	Bellows for item 5	209351.001	22	Breakaway cable	203202.002
8	cable strap	71000194	23	spring accumulators complete.	202453.001
9	holders for breakaway cable	206192.001	24	translation levers	98812993
10		207440.001	25	Screw set handbrake lever	207447.001
11	cases galvanized	upon request	26	plugs	206552.001
12	Spring Storage Holder Set	207441.001			
13	skid	206593.001			
14	Drawbar incl. item 15	203146.001			
15	Stop ring	206596.003			
15	Stop ring	69004394			



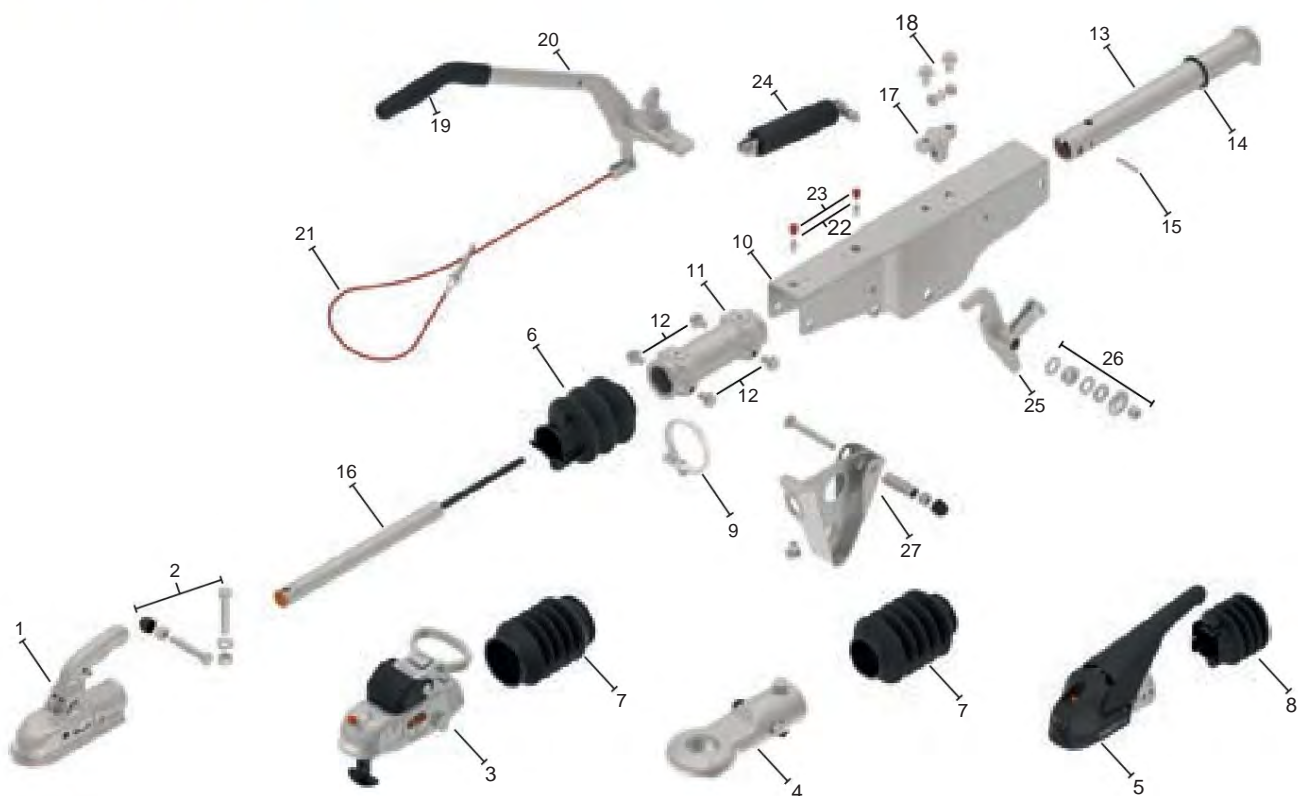
Position			Position		
1	ball coupling	8802559X	16	shock absorbers	87003613
2	Screw set Tow ball coupling	207439.001	17	shock absorber mounts	21004793
3	Ball coupling including screw material	206045.001	18	Screw set shock absorbers	207456.001
4	DIN towing eye including screws	98762093	19	Complete handbrake lever. (incl. spring storage item 22)	205057.002
5	Anti-sway coupling KS35	210208.001	20		6J1031.006
6	Bellows for positions 1, 3, and 4	200175.001	21	Breakaway cable	203202.002
7	Bellows for item 5	209351.001	22	spring accumulators complete.	204306.001
8	cable strap	71000194	23	translation levers	98812993
9	Breakaway cable holder	206192.001	24	Screw set handbrake lever	207447.001
10		207440.001	25	plugs	206552.001
11	cases galvanized	upon request	26	Tab GFH	204465.001
12	skid	206593.001			
13	Drawbar incl. Pos 14	203146.001			
14	Stop ring	206596.003			
14	Stop ring	69004394			
15	Threaded pin	D913.010			



Position			Position		
1	ball coupling	8802559X	16	threaded pin	D913.010
2	Screw set Tow ball coupling	207439.001	17	shock absorbers	87003613
3	Ball coupling including screw material	206045.001	18	shock absorber mounts	21004793
4	DIN towing eye including screws	98762093	19	Screw set shock absorbers	207456.001
5	Anti-sway coupling KS35	210208.001	20	handbrake levers complete.	98866493
6	bellows for positions 1, 3, and 4	200175.001	21		206528.001
7	Bellows for item 5	209351.001	22	Breakaway cable	203202.002
8	cable strap	71000194	23	translation levers	98703693
9	holders for breakaway cable	206192.001	24	Screw set handbrake lever	207447.001
10		207440.001	25	plugs	206552.001
11	cases galvanized	upon request	26	bolts	41006094
12	Hydraulic unit complete.	210066.001			
13	complete skid plate.	206593.001			
14	Drawbar incl. item 15	203146.001			
15	Stop ring	206596.003			
15	Stop ring	69004394			



Position			Position		
1	ball coupling	8802429X	16	shock absorber mounts	21003593
2	Screw set Tow ball coupling	207309.001	17	Screw set shock absorbers	207310.001
3	Ball coupling including screw material	207437.001	18		6J1031.006
4	DIN towing eye including screws	98761693	19	handbrake levers complete.	203575.004
5	Anti-sway coupling KS30	209954.001	20	Breakaway cable	203202.001
6	Bellows for item 1	69004692	21	grease nipples	48032094
7	Bellows for positions 3 and 4	69000393	22	grease nipple cap	69024594
8	Bellows for item 5	209335.001	23	spring accumulators complete.	201856.001
9	cable strap	71000194	24	translation levers	98722483
10	cases galvanized	upon request	25	Screw set handbrake lever	208230.001
11	Guide bearing set including safety device	208189.001			
12	Drawbars incl. item 13	205294.001			
13	Stop ring	206596.001			
13	Stop ring	69001494			
14	Cylinder pin	D6325.006			
15	shock absorbers	87000313			



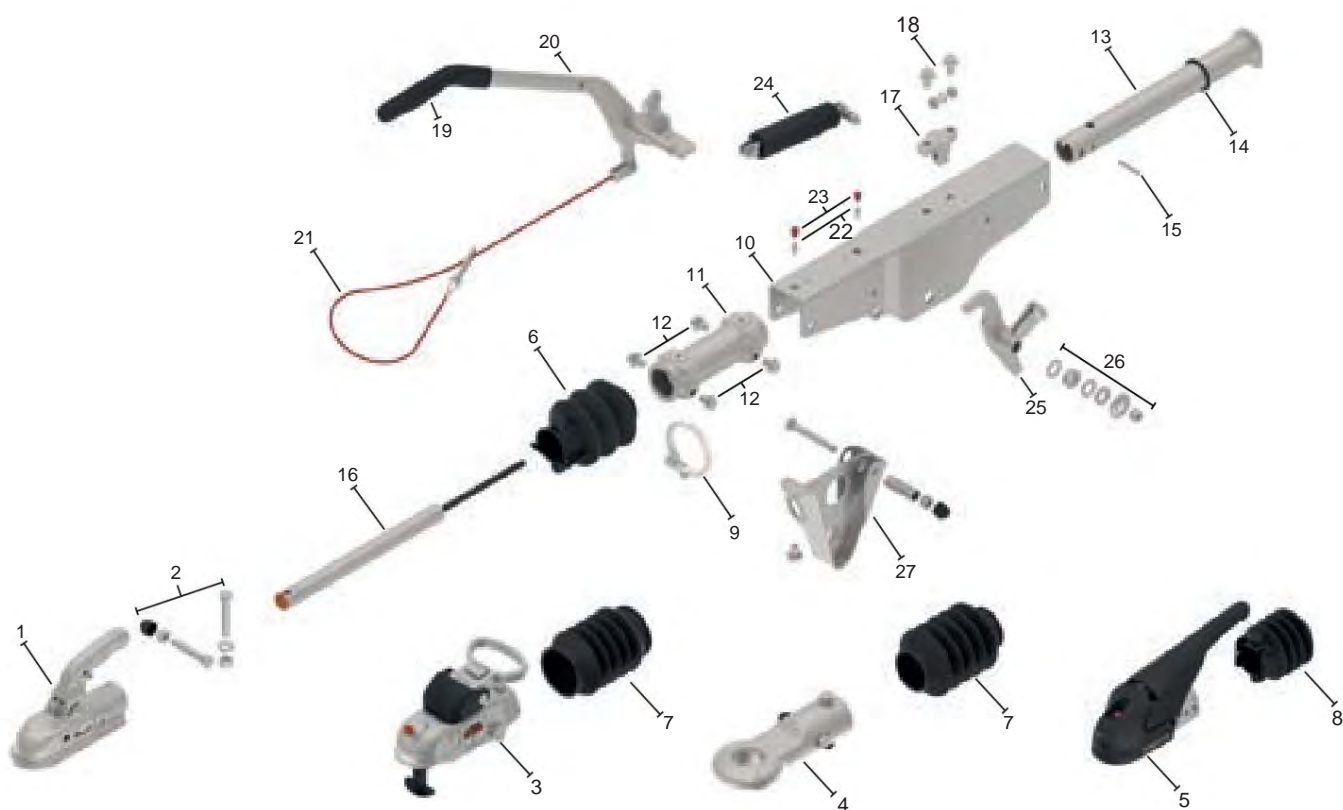
Position			Position		
1	ball coupling	8802429X	16	shock absorbers	87000313
2	Screw set Tow ball coupling	207309.001	17	shock absorber mounts	21003593
3	Ball coupling including screw material	207437.001	18	Screw set shock absorbers	208261.001
4	DIN towing eye including screws	98761693	19		6J1031.006
5	Anti-sway coupling KS30	209954.001	20	handbrake levers complete.	201943.001
6	Bellows for position 1	69004692	21	Breakaway cable	203202.001
7	Bellows for positions 3 and 4	69000393	22	grease nipples	48032094
8	Bellows for item 5	209335.001	23	grease nipple cap	69024594
9	cable strap	71000194	24	spring accumulators complete.	201856.001
10	cases galvanized	upon request	25	translation levers	98722483
11	Command Camp	207466.001	26	Screw set handbrake lever	208624.001
12	Screw set Command camp	208361.001	27	Support leg complete.	208623.001
13	Drawbar incl. Pos 14	205294.001			
14	Stop ring	206596.001			
14	Stop ring	69001494			
15	Cylinder pin	D6325.006			



Position			Position		
1	ball coupling	8802429X	16	shock absorber mounts	21003494
2	Screw set Tow ball coupling	207309.001	17	Screw set shock absorbers	207310.001
3	Ball coupling including screw material	207437.001	18		6J1031.006
4	DIN towing eye including screws	98761693	19	Complete handbrake lever. (incl. spring storage item 11)	206967.001
5	Anti-sway coupling KS30	209954.001	20	Breakaway cable	203202.001
6	Bellows Item 1	69004692	21	grease nipples	48032094
7	Bellows Pos. 3+4	69000393	22	grease nipple cap	69024594
8	Bellows Item 5	209335.001	23	translation levers	98722483
9	cable strap	71000194	24	Screw set Handbrake lever connection 60	208262.001
10	cases galvanized	upon request	24	Screw set Handbrake lever connection 70	208231.001
11	spring accumulators complete.	207556.001			
12	Drawbars incl. item 13	205294.001			
13	Stop ring	206596.001			
13	Stop ring	69001494			
14	Cylinder pin	D6325.006			
15	shock absorbers	87000313			



Position			Position		
1	ball coupling	8802429X	16	shock absorber mounts	21003593
2	Screw set Tow ball coupling	207309.001	17	Screw set shock absorbers	207310.001
3	Ball coupling including screw material	207437.001	18		6J1031.006
4	DIN towing eye including screws	98761693	19	handbrake levers complete.	203575.004
5	Anti-sway coupling KS30	209954.001	20	Breakaway cable	203202.001
6	Bellows Item 1	69004692	21	grease nipples	48032094
7	Bellows Pos. 3+4	69000393	22	grease nipple cap	69024594
8	Bellows Item 5	209335.001	23	spring accumulators complete.	201856.001
9	cable strap	71000194	24	translation levers	98722483
10	cases galvanized	upon request	25	Screw set handbrake lever	208230.001
11	Guide bearing set including safety device	208189.001			
12	Drawbars incl. item 13	205294.001			
13	Stop ring	206596.001			
13	Stop ring	69001494			
14	Cylinder pin	D6325.006			
15	shock absorbers	87000713			



Position			Position		
1	ball coupling	8802429X	16	shock absorbers	87000713
2	Screw set Tow ball coupling	207309.001	17	shock absorber mounts	21003593
3	Ball coupling including screw material	207437.001	18	Screw set shock absorbers	208261.001
4	DIN towing eye including screws	98761693	19		6J1031.006
5	Anti-sway coupling KS30	209954.001	20	handbrake levers complete.	203575.004
6	Bellows Item 1	69004692	21	Breakaway cable	203202.001
7	Bellows Pos. 3+4	69000393	22	grease nipples	48032094
8	Bellows Item 5	209335.001	23	grease nipple cap	69024594
9	cable strap	71000194	24	spring accumulators complete.	201856.001
10	cases galvanized	upon request	25	translation levers	98722483
11	Command Camp	207466.001	26	Screw set handbrake lever	208624.001
12	Screw set Command camp	208362.001	27	Support leg complete.	208623.001
13	Pull rod incl. Pos 13	205294.001			
14	Stop ring	206596.001			
14	Stop ring	69001494			
15	Cylinder pin	D6325.006			



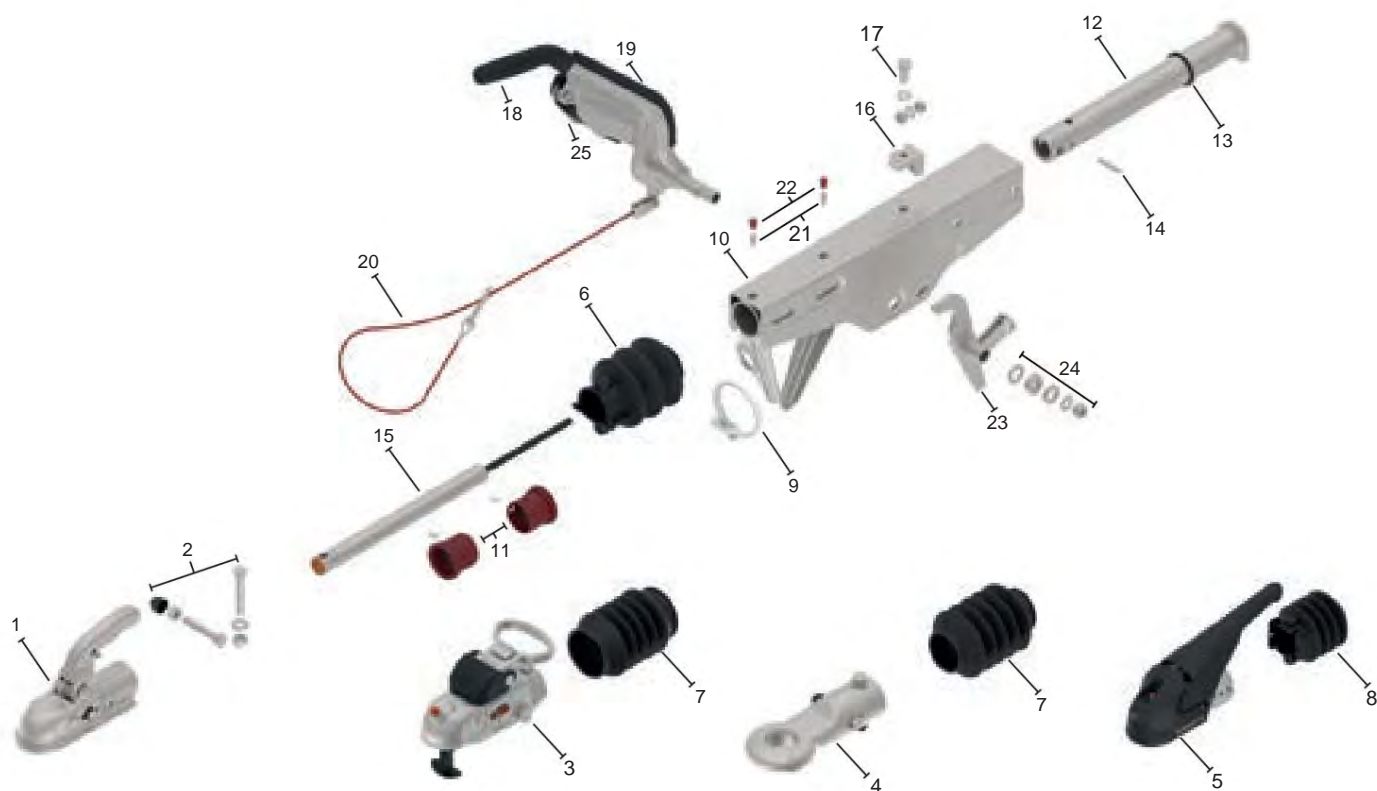
Position			Position		
1	ball coupling	8802429X	16	shock absorber mounts	21003494
2	Screw set Tow ball coupling	207309.001	17	Screw set shock absorbers	207310.001
3	Ball coupling including screw material	207437.001	18		6J1031.006
4	DIN towing eye including screws	98761693	19	Complete handbrake lever. (incl. spring storage item 11)	206967.001
5	Anti-sway coupling KS30	209954.001	20	Breakaway cable	203202.001
6	Bellows Item 1	69004692	21	grease nipples	48032094
7	Bellows Pos. 3+4	69000393	22	grease nipple cap	69024594
8	Bellows Item 5	209335.001	23	translation levers	98722483
9	cable strap	71000194	24	Screw set Handbrake lever connection 60	208262.001
10	cases galvanized	upon request	24	Screw set Handbrake lever connection 70	208231.001
11	spring accumulators complete.	207556.001			
12	Drawbars incl. item 13	205294.001			
13	Stop ring	206596.001			
13	Stop ring	69001494			
14	Cylinder pin	D6325.006			
15	shock absorbers	87000713			



Position			Position		
1	ball coupling	8802429X	16	shock absorber mounts	21003593
2	Screw set Tow ball coupling	207309.001	17	Screw set shock absorbers	207310.001
3	Ball coupling including screw material	207437.001	18		6J1031.006
4	DIN towing eye including screws	98761693	19	handbrake levers complete.	203575.004
5	Anti-sway coupling KS30	209954.001	20	Breakaway cable	203202.001
6	Bellows Item 1	69004692	21	grease nipples	48032094
7	Bellows Pos. 3+4	69000393	22	grease nipple cap	69024594
8	Bellows Item 5	209335.001	23	spring accumulators complete.	201856.001
9	cable strap	71000194	24	translation levers	98722483
10	cases galvanized	upon request	25	Screw set handbrake lever	208230.001
11	Guide bearing set including safety device	208189.001			
12	Drawbars incl. item 13	205294.001			
13	Stop ring	206596.001			
13	Stop ring	69001494			
14	Cylinder pin	D6325.006			
15	shock absorbers	87001113			



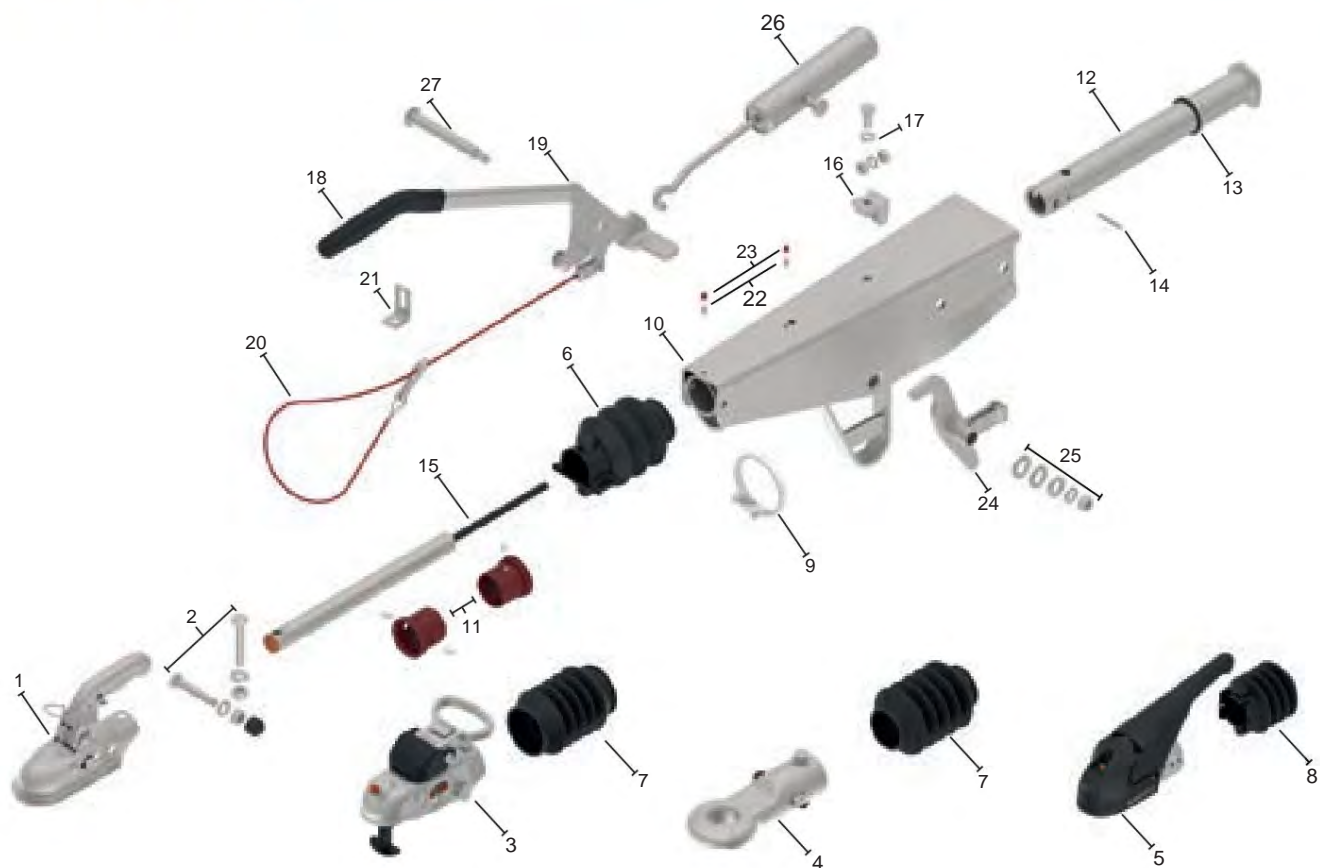
Position			Position		
1	ball coupling	8802429X	16	shock absorbers	87001113
2	Screw set Tow ball coupling	207309.001	17	shock absorber mounts	21003593
3	Ball coupling including screw material	207437.001	18	Screw set shock absorbers	208261.001
4	DIN towing eye including screws	98761693	19		6J1031.006
5	Anti-sway coupling KS30	209954.001	20	handbrake levers complete.	203575.004
6	Bellows Item 1	69004692	21	Breakaway cable	203202.001
7	Bellows Pos. 3+4	69000393	22	grease nipples	48032094
8	Bellows Item 5	209335.001	23	grease nipple cap	69024594
9	cable strap	71000194	24	spring accumulators complete.	201856.001
10	cases galvanized	upon request	25	translation levers	98722483
11	Command Camp	207466.001	26	Screw set handbrake lever	208624.001
12	Screw set Command camp	208362.001	27	Support leg complete.	208623.001
13	Pull rod incl. Pos 13	205294.001			
14	Stop ring	206596.001			
14	Stop ring	69001494			
15	Cylinder pin	D6325.006			



Position			Position		
1	Tow ball coupling	8802399X	16	shock absorber mounts	21003494
2	Screw set Tow ball coupling	207309.001	17	Screw set shock absorbers	207310.001
3	Ball coupling including screw material	207437.001	18		6J1031.006
4	DIN towing eye including screws	98761693	19	Complete handbrake lever. (incl. spring storage item 25)	206967.001
5	Anti-sway coupling KS30	209954.001	20	Breakaway cable	203202.001
6	Bellows Item 1	69004692	21	grease nipples	48032094
7	Bellows Pos. 3+4	69000393	22	grease nipple cap	69024594
8	Bellows Item 5	209335.001	23	translation levers	98722483
9	cable strap	71000194	24	Screw set Handbrake lever connection 60	208262.001
10	cases galvanized	upon request	24	Screw set Handbrake lever connection 70	208231.001
11	Guide bearing set including locking pin	208027.001	25	spring accumulators complete.	204305.001
12	Drawbars incl. item 13	98103094			
13	Stop ring	206596.001			
13	Stop ring	69001494			
14	Cylinder pin	D6325.006			
15	shock absorbers	87001113			



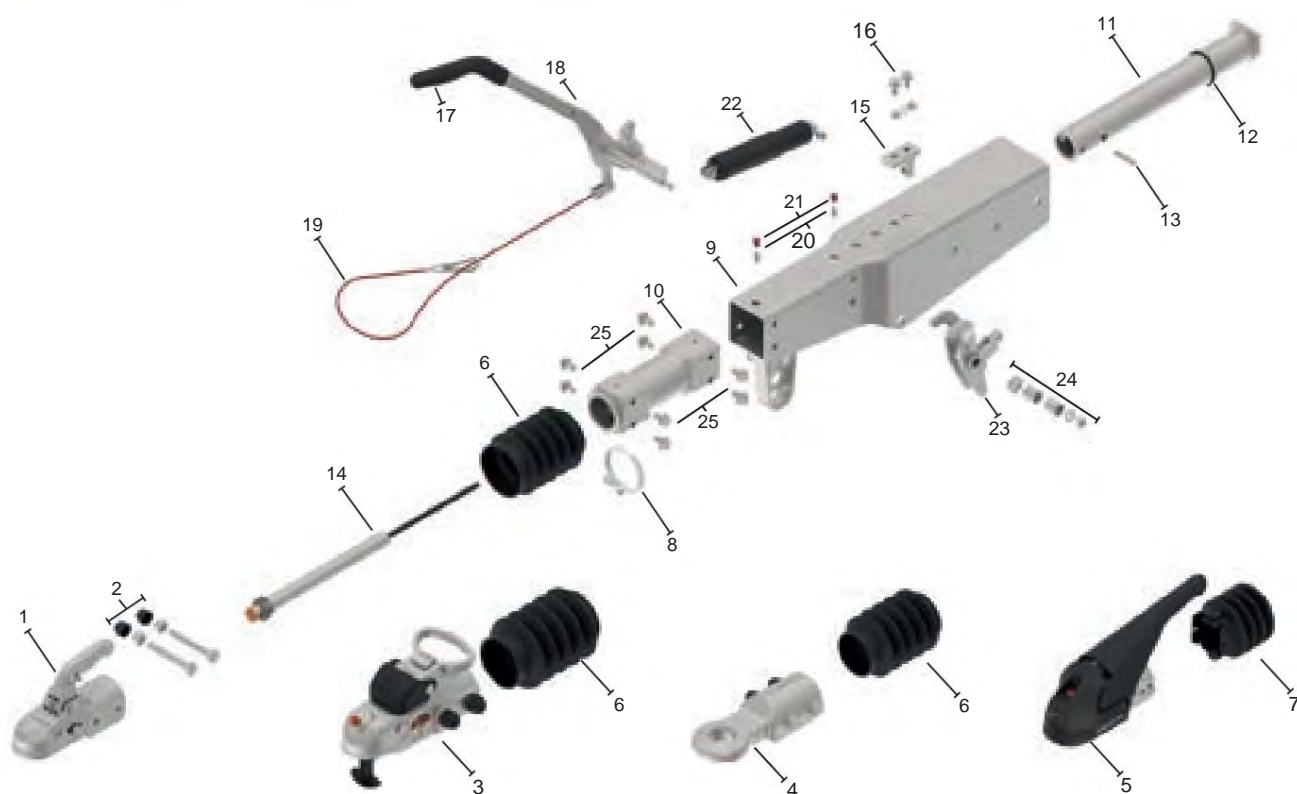
Position			Position		
1	ball coupling	8802399X	16	shock absorbers	87001113
2	Screw set Tow ball coupling	207309.001	17	shock absorber mounts	205167.001
3	Ball coupling including screw material	207437.001	18	Screw set shock absorbers	208266.001
4	DIN towing eye including screws	98761693	19		6J1031.006
5	Anti-sway coupling KS30	209954.001	20	handbrake levers complete.	206967.001
6	Bellows Item 1	69004692	21	Breakaway cable	203202.001
7	Folding bag Pos. 3+4	69000393	22	grease nipples	48032094
8	Bellows Item 5	209335.001	23	grease nipple cap	69024594
9	cable strap	71000194	24	spring accumulators complete.	201856.001
10	cases galvanized	upon request	25	translation levers	98722483
11	Guide bearing set including locking pin	208027.001	26	Screw set handbrake lever	208026.002
12	Guide bearing set with snap lock	208217.001			
13	Drawbar incl. Pos 14	98103094			
14	Stop ring	206596.001			
14	Stop ring	69001494			
15	Cylinder pin	D6325.006			



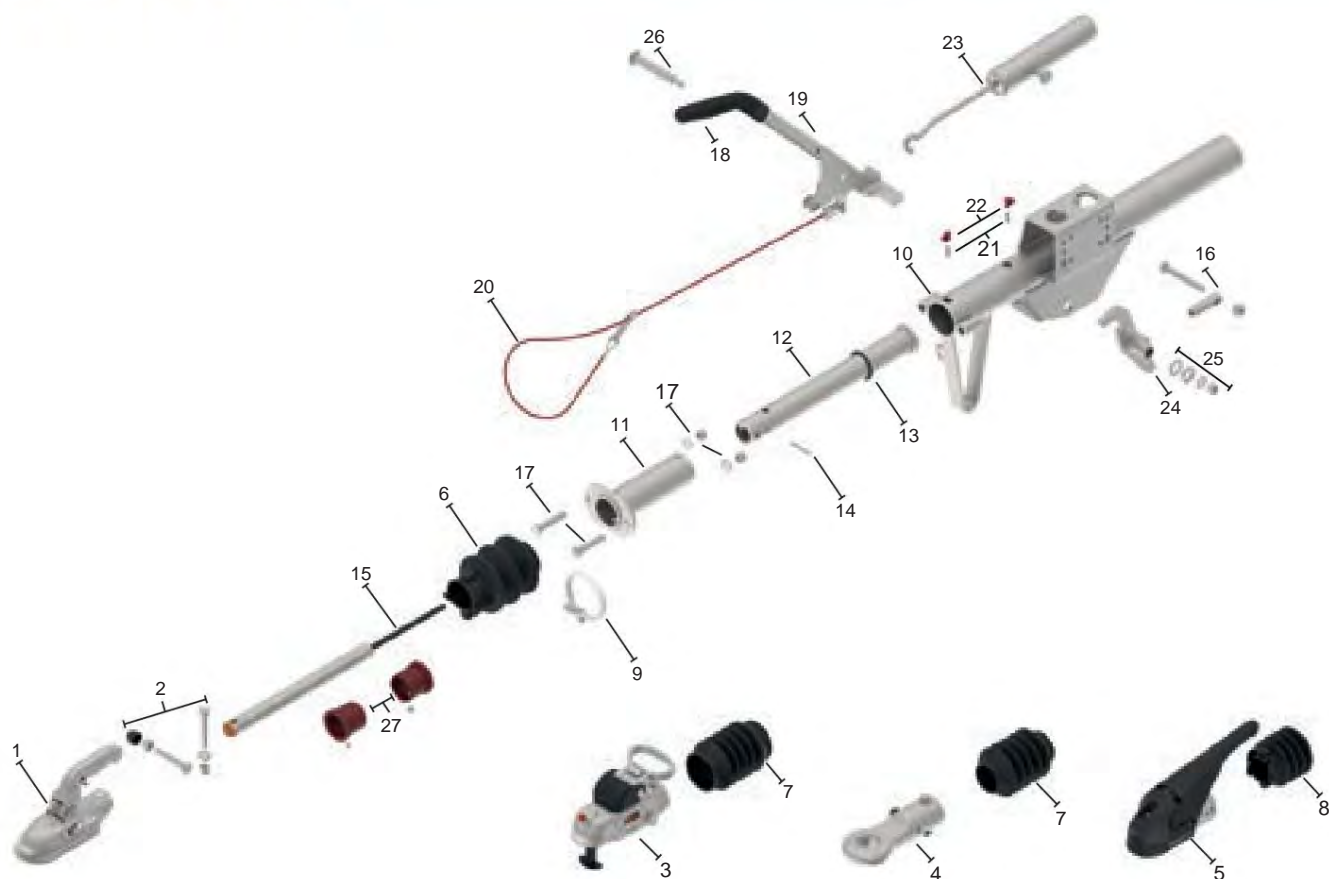
Position			Position		
1	ball coupling	8802399X	16	shock absorber mounts	202726.001
2	Screw set Tow ball coupling	207309.001	17	Screw set shock absorbers	208266.001
3	Ball coupling including screw material	207437.001	18		6J1031.006
4	DIN towing eye including screws	98761693	19	handbrake levers complete.	206967.001
5	Anti-sway coupling KS30	209954.001	20	Breakaway cable	203202.001
6	Bellows Item 1	69004692	21	holders for breakaway cable	206192.001
7	Bellows Pos. 3+4	69000393	22	grease nipples	48032094
8	Bellows Item 5	209335.001	23	grease nipple cap	69024594
9	cable strap	71000194	24	translation levers	98722483
10	cases galvanized	upon request	25	Screw set handbrake lever	208026.001
11	Guide bearing set including locking pin	208027.001	26	Spring sleeve	98702594
12	Drawbars incl. item 13	98103094	27	bolts	41006094
13	Stop ring	206596.001			
13	Stop ring	69001494			
14	Cylinder pin	D6325.006			
15	shock absorbers	87001113			



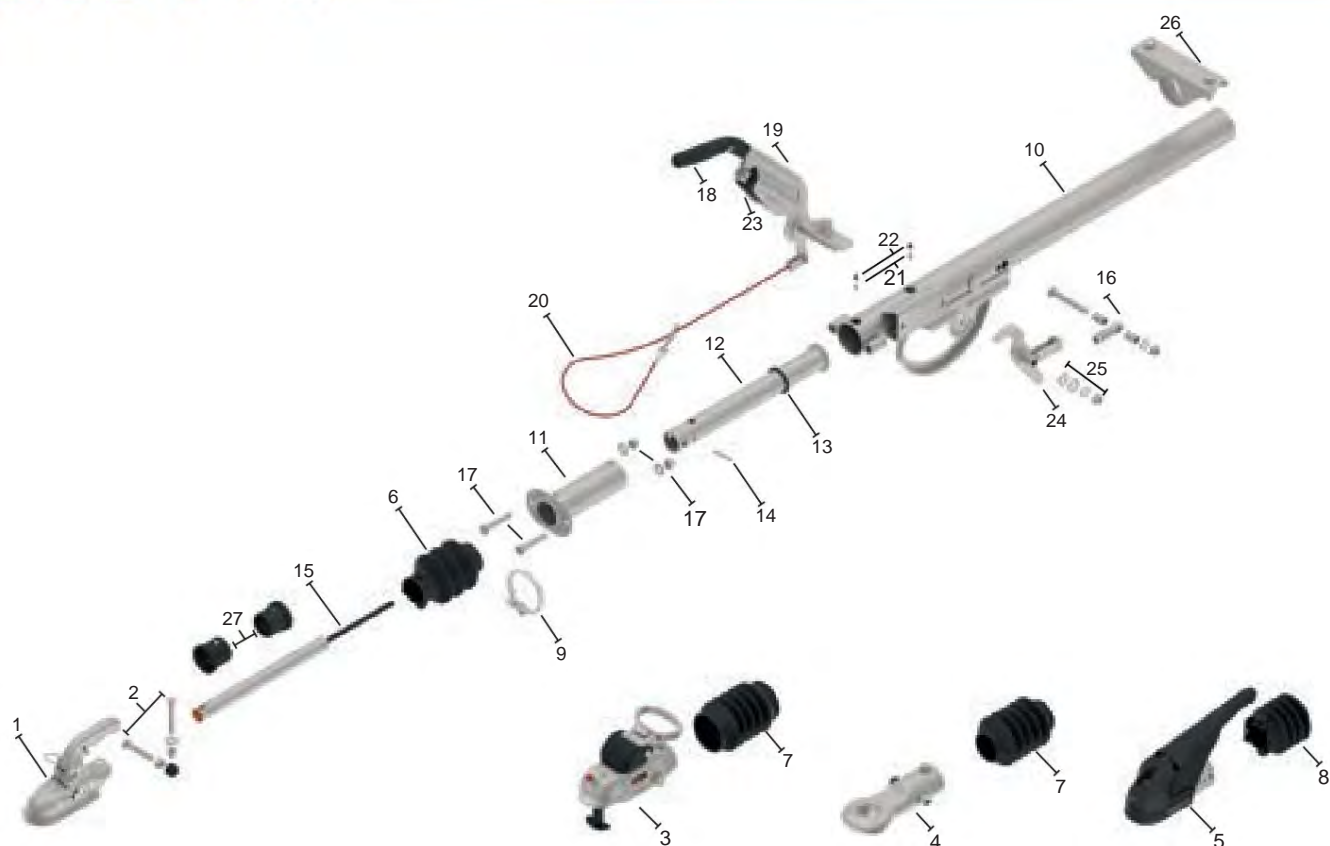
Position			Position		
1	ball coupling	8802539X	16	Screw set shock absorbers	208266.001
2	Screw set Tow ball coupling	208352.001	17		6J1031.006
3	Ball coupling including screw material	206486.001	18	handbrake levers complete.	202969.002
4	DIN towing eye including screws	98761993	19	Breakaway cable	203202.001
5	Anti-sway coupling KS30	209954.003	20	grease nipples	48032094
6	Bellows Pos. 1+3+4	69000393	21	grease nipple cap	69024594
7	Bellows Item 5	209335.001	22	translation levers	207420.001
8	cabl strap	71000194	23	Screw set handbrake lever	208026.001
9	cases galvanized	upon request	24	spring accumulators complete.	202453.001
10	Guide bearing set including locking pin	208208.001			
11	Drawbar incl. item 13	202041.001			
12	Stop ring	206596.002			
12	Stop ring	69001494			
13	Cylinder pin	D6325.008			
14	shock absorbers	8700391314			
15	shock absorber mounts	21003593			



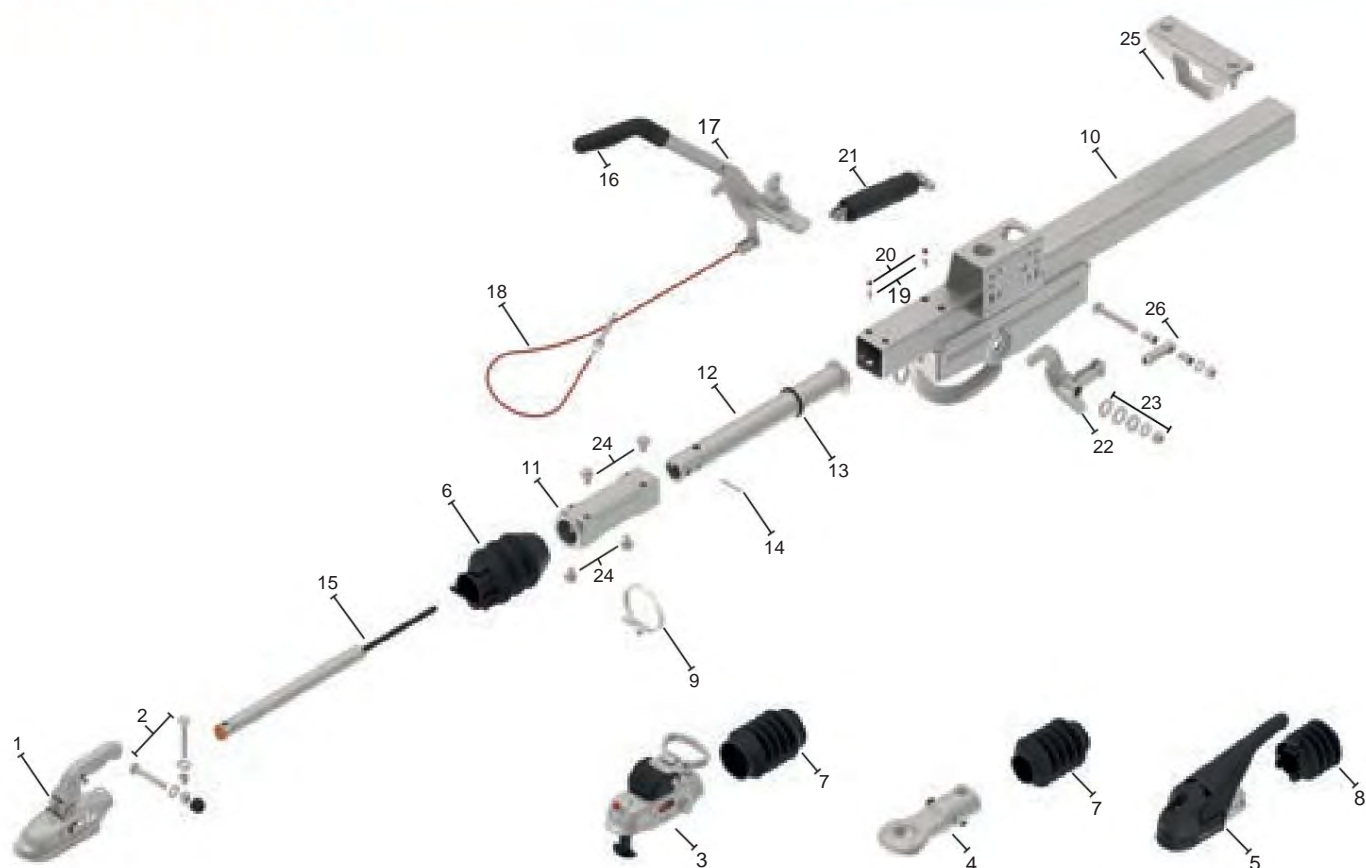
Position			Position		
1	ball coupling	8802559X	16	Screw set shock absorbers	208266.001
2	Screw set Tow ball coupling	207439.001	17		6J1031.006
3	Ball coupling including screw material	206045.001	18	handbrake levers complete.	204149.001
4	DIN towing eye including screws	98762093	19	Breakaway cable	203202.001
5	Anti-sway coupling KS35	210208.001	20	grease nipples	48032094
6	Bellows Pos. 1+3+4	200175.001	21	grease nipple cap	69024594
7	Bellows Item 5	209351.001	22	spring accumulators complete.	202453.001
8	cable strap	71000194	23	translation levers	98812993
9	cases galvanized	upon request	24	Screw set handbrake lever	208358.001
10	guide bearings	201263.001	25	Screw set Command camp	208359.001
11	Drawbar incl. item 13	203146.001			
12	Stop ring	206596.003			
12	Stop ring	69004394			
13	Threaded pin	D913.010			
14	shock absorbers	87003613			
15	shock absorber mounts	203719.001			



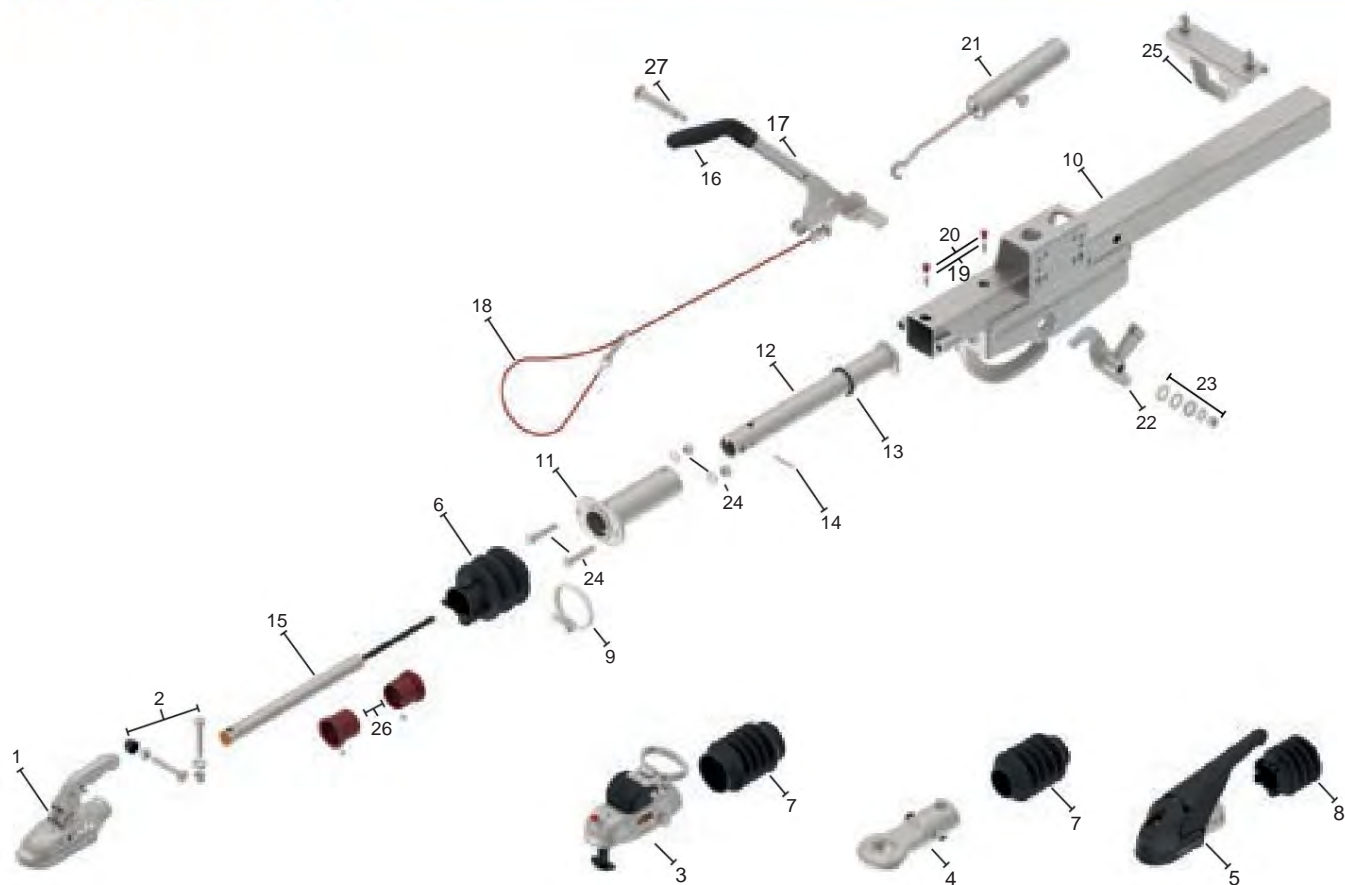
Position			Position		
1	ball coupling	8802429X	16	Screw set shock absorbers	208360.001
2	Screw set Tow ball coupling	207309.001	17	Screw set Command camp	208361.001
3	Ball coupling including screw material	207437.001	18		6J1031.006
4	DIN towing eye including screws	98761693	19	handbrake levers complete.	98703193
5	Anti-sway coupling KS30	209954.001	20	Breakaway cable	203202.002
6	Bellows Item 1	69004692	21	grease nipples	48032094
7	Bellows Pos. 3+4	69000393	22	grease nipple cap	69024594
8	Bellows Item 5	209335.001	23	Spring sleeve	98702594
9	cable strap	71000194	24	translation levers	98722483
10	cases galvanized	upon request	25	Screw set handbrake lever	208230.001
11	Guide tube complete.	98583793	26	bolts	41004494
12	pull rods incl. item 8	98609494	27	Guide bearing set including locking pin	208027.001
13	Stop ring	206596.001			
13	Stop ring	69001494			
14	Threaded pin	D913.010			
15	shock absorbers	87000313			



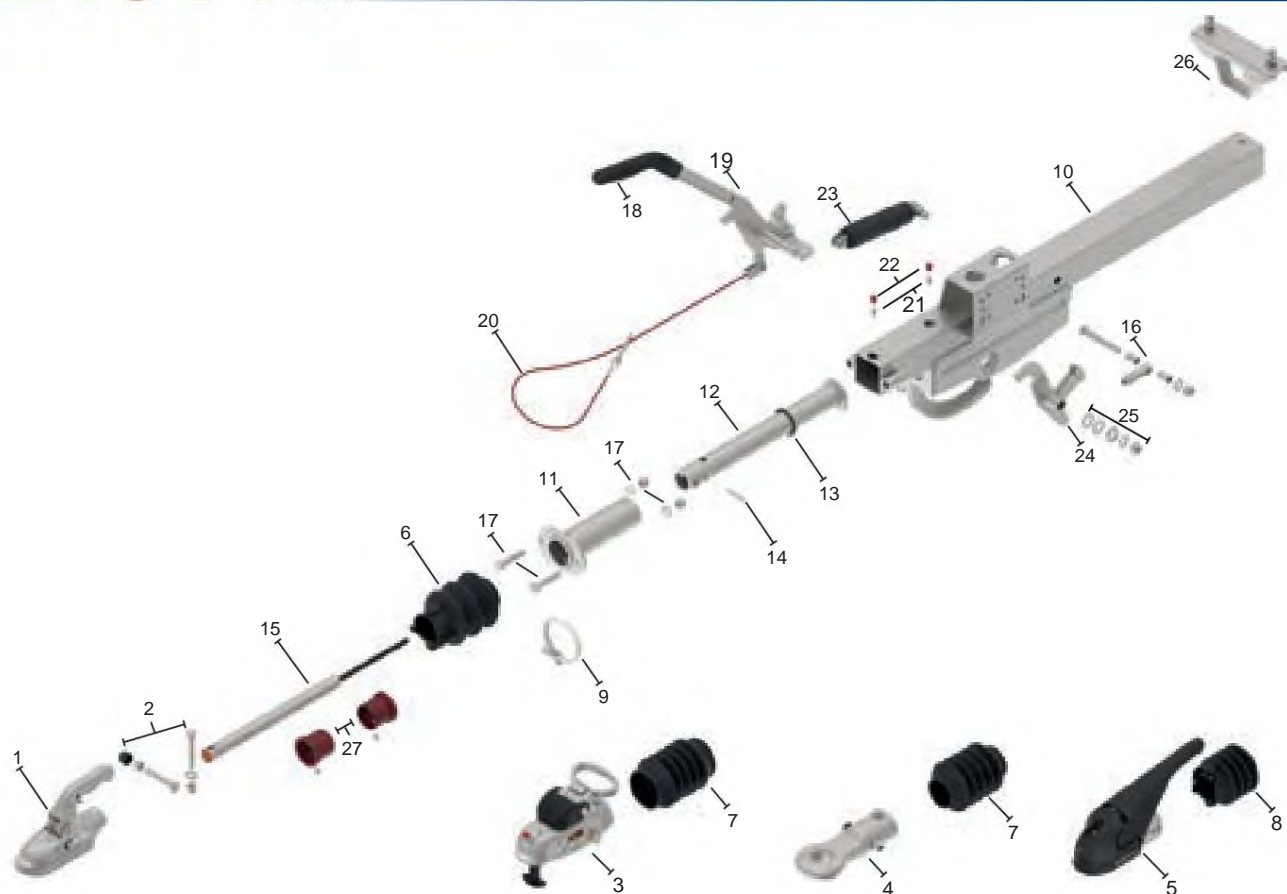
Position			Position		
1	ball coupling	8802429X	16	Screw set shock absorbers	208360.001
2	Screw set Tow ball coupling	207309.001	17	Screw set Command camp	208361.001
3	Ball coupling including screw material	207437.001	18		6J1031.006
4	DIN towing eye including screws	98761693	19	Complete handbrake lever. (incl. spring storage item 23)	203967.002
5	Anti-sway coupling KS30	209954.001	20	Breakaway cable	203202.001
6	Bellows Item 1	69004692	21	grease nipples	48032094
7	Bellows Pos. 3+4	69000393	22	grease nipple cap	69024594
8	Bellows Item 5	209335.001	23	spring accumulators complete.	98702594
9	cable strap	71000194	24	translation levers	6J2414.001
10	cases galvanized	upon request	25	Screw set handbrake lever	207477.001
11	Guide tube complete.	6J1665.001	26	Clamping device	98885693
12	Drawbars incl. item 13	6J2411.001	27	Guide bearing set with snap lock	208217.001
13	Stop ring	206596.001			
13	Stop ring	69001494			
14	Threaded pin	D913.010			
15	shock absorbers	87000313			



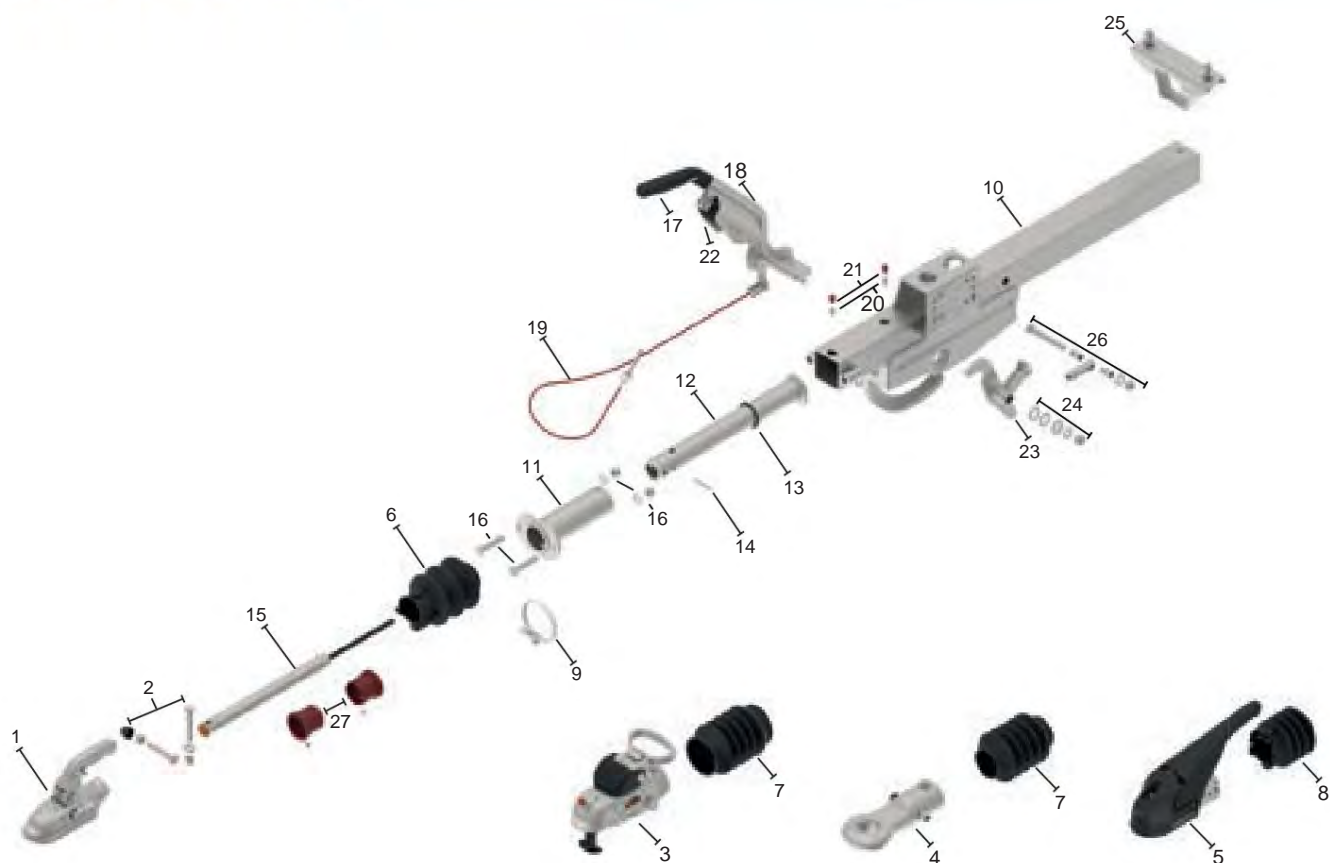
Position			Position		
1	ball coupling	8802429X	16		6J1031.006
2	Screw set Tow ball coupling	207309.001	17	Handbrake levers complete.	201943.001
3	Ball coupling including screw material	207437.001	18	Breakaway cable	203202.001
4	DIN towing eye including screws	98761693	19	grease nipples	48032094
5	Anti-sway coupling KS30	209954.001	20	grease nipple caps	69024594
6	Bellows Item 1	69004692	21	spring accumulators complete.	201856.001
7	Bellows Pos. 3+4	69000393	22	translation levers	98722483
8	Bellows Item 5	209335.001	23	Screw set handbrake lever	208230.001
9	cable strap	71000194	24	Screw set for guide bearing	208362.001
10	cases galvanized	upon request	25	clamping device complete.	98884993
11	Command Camp	26017893	26	Screw set shock absorbers	208360.001
12	Drawbars incl. item 13	98103094			
13	Stop ring	206596.001			
13	Stop ring	69001494			
14	Cylinder pin	D6325.006			
15	shock absorbers	87001113			



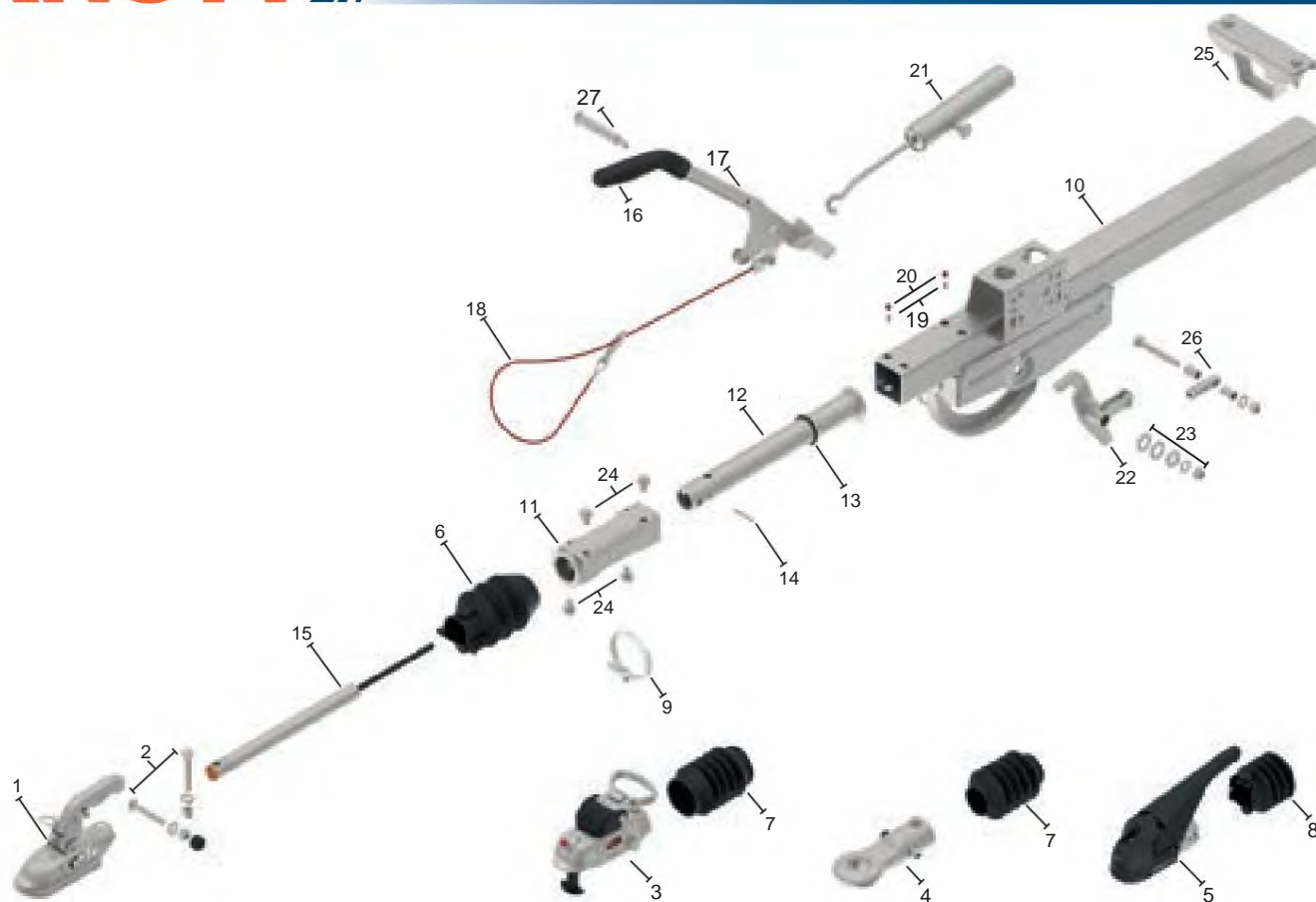
Position			Position		
1	ball coupling	8802429X	16	Screw set shock absorbers	208360.001
2	Screw set Tow ball coupling	207309.001	17	Screw set Command camp	208361.001
3	Ball coupling including screw material	207437.001	18		6J1031.006
4	DIN towing eye including screws	98761693	19	handbrake levers complete.	98703193
5	Anti-sway coupling KS30	209954.001	20	Breakaway cable	203202.001
6	Bellows Item 1	69004692	21	grease nipples	48032094
7	Bellows Pos. 3+4	69000393	22	grease nipple cap	69024594
8	Bellows Item 5	209335.001	23	Spring sleeve complete.	98702594
9	cable strap	71000194	24	translation levers	98722483
10	cases galvanized	upon request	25	Screw set handbrake lever	208230.001
11	Guide tube complete.	98809593	26	Clamping device	98884993
12	Drawbars incl. item 13	98103094	27	Guide bearing set with snap lock	208027.001
13	Stop ring	206596.001			
13	Stop ring	69001494			
14	Cylinder pin	D6325.006			
15	shock absorbers	87000713			



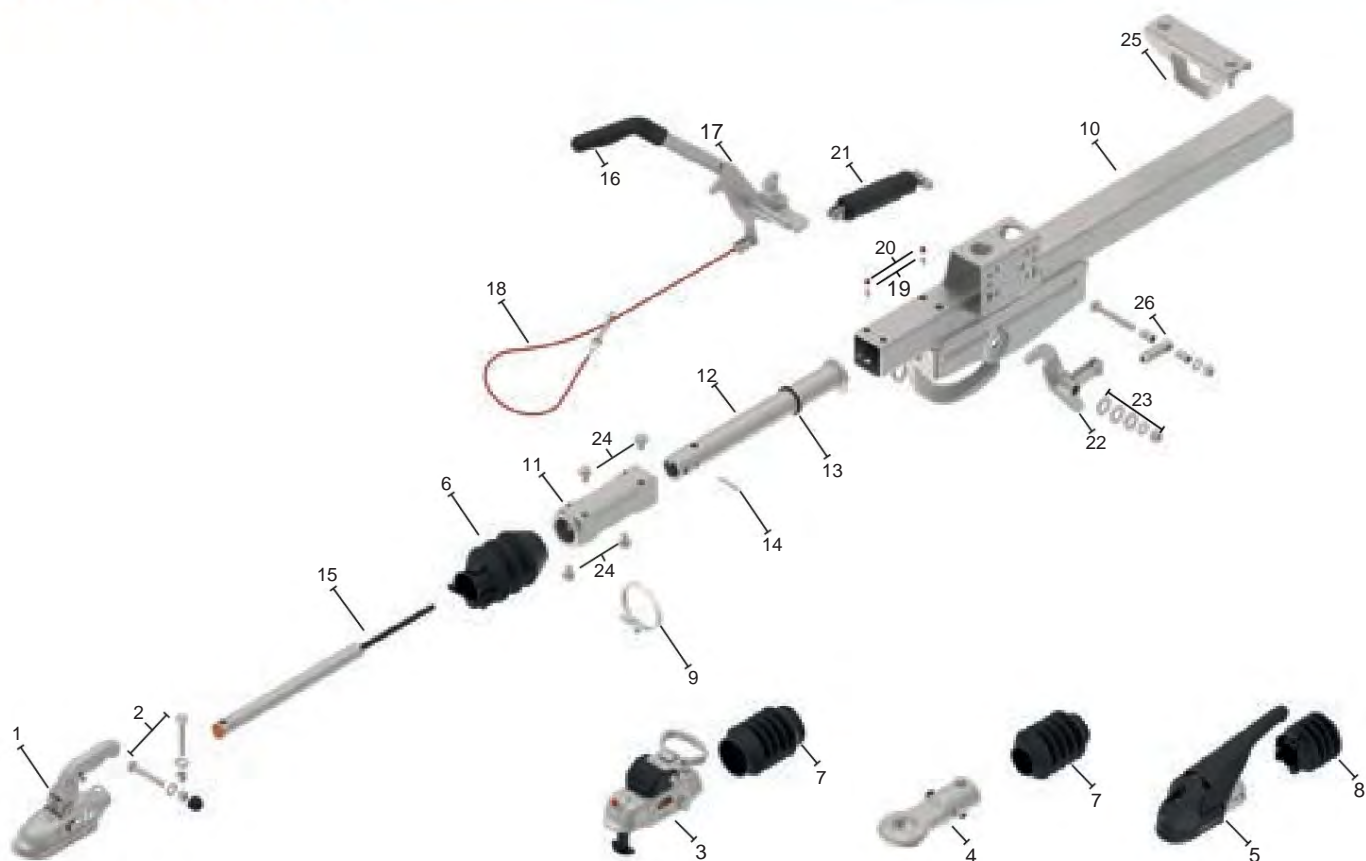
Position			Position		
1	ball coupling	9894769301	16	Screw set shock absorbers	208360.001
2	Screw set Tow ball coupling	207309.001	17	Screw set Command camp	208361.001
3	Ball coupling including screw material	207437.001	18		6J1031.006
4	DIN towing eye including screws	98761693	19	handbrake levers complete.	201943.001
5	Anti-sway coupling KS30	209954.001	20	Breakaway cable	203202.001
6	Bellows Item 1	69004692	21	grease nipples	48032094
7	Bellows Pos. 3+4	69000393	22	grease nipple cap	69024594
8	Bellows Item 5	209335.001	23	spring accumulators complete.	201856.001
9	cable strap	71000194	24	translation levers	98722483
10	cases galvanized	upon request	25	Screw set handbrake lever	208230.001
11	Guide tube complete.	98809593	26	Clamping device	98884993
12	Drawbars incl. item 13	205294.001	27	Guide bearing set with snap lock	208027.001
13	Stop ring	206596.001			
13	Stop ring	69001494			
14	Cylinder pin	D6325.006			
15	shock absorbers	87000713			



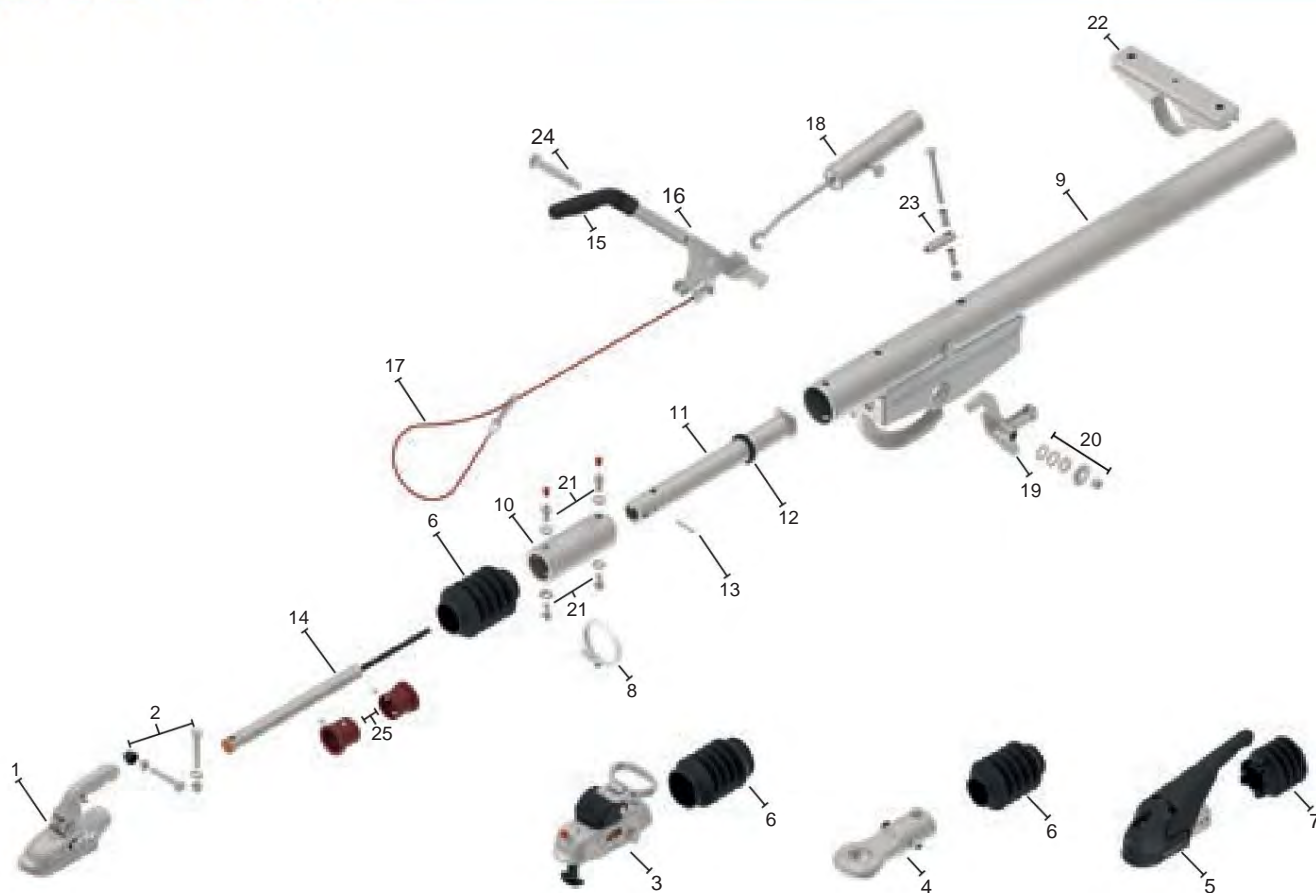
Position			Position		
1	ball coupling	9894769301	16	Screw set for guide bearing	208361.001
2	Screw set Tow ball coupling	207309.001	17		6J1031.006
3	Ball coupling including screw material	207437.001	18	handbrake lever (without spring storage)	203967.002
4	DIN towing eye including screws	98761693	19	Breakaway cable	203202.001
5	Anti-sway coupling KS30	209954.001	20	grease nipples	48032094
6	Bellows Item 1	69004692	21	grease nipple cap	69024594
7	Bellows Pos. 3+4	69000393	22	spring accumulators complete.	201856.001
8	Bellows Item 5	209335.001	23	translation levers	98722483
9	cable strap	71000194	24	Screw set handbrake lever	208231.001
10	cases galvanized	upon request	25	clamping device	98884993
11	Guide tube complete.	98809593	26	Screw set shock absorbers	208360.001
12	Drawbars incl. item 13	205294.001	27	Guide bearing set including locking pin	208027.001
13	Stop ring	206596.001			
13	Stop ring	69001494			
14	Threaded pin	D913.010			
15	shock absorbers	87000713			



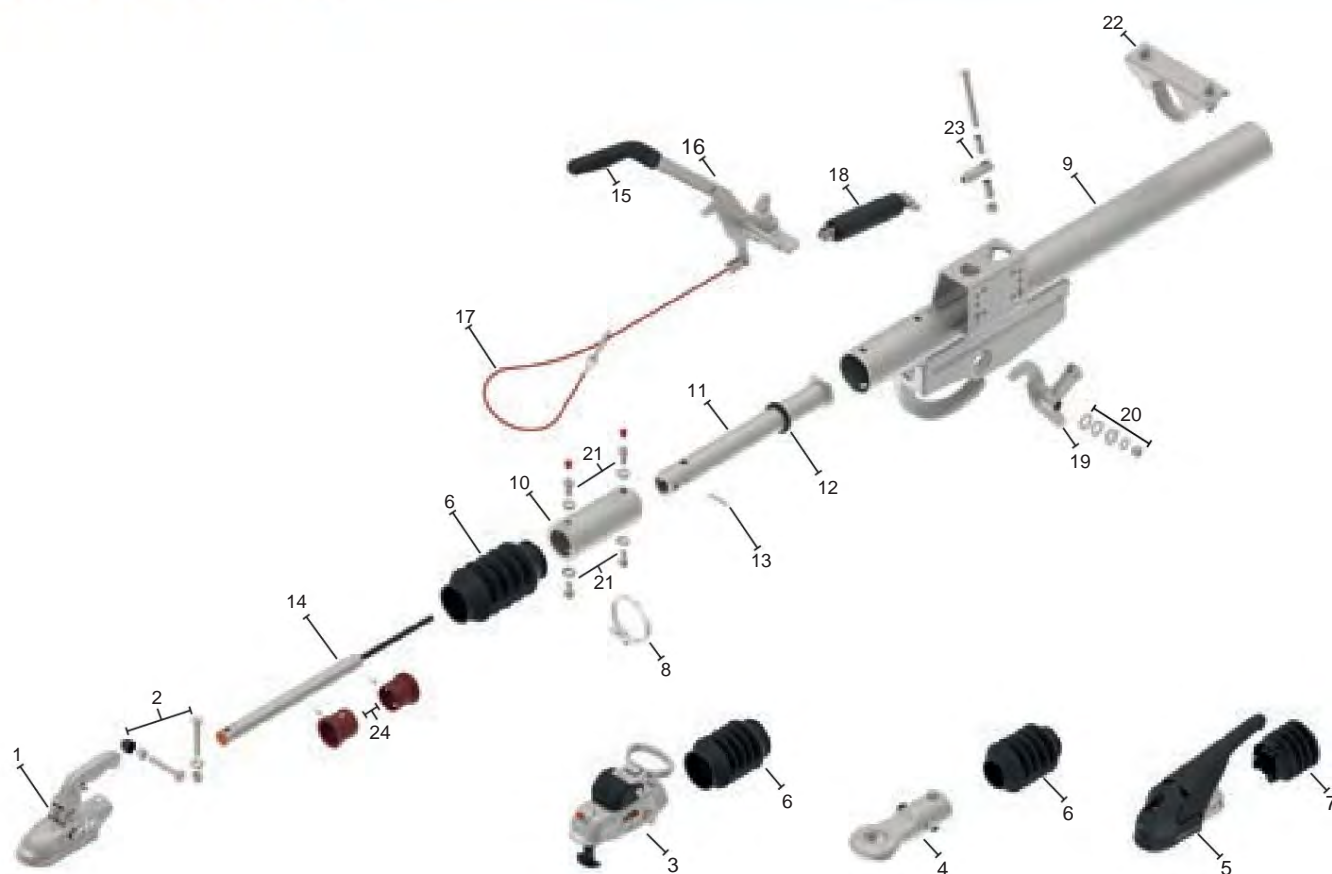
Position			Position		
1	ball coupling	8802429X	16		6J1031.006
2	Screw set Tow ball coupling	207309.001	17	Handbrake levers complete.	98703193
3	Ball coupling including screw material	207437.001	18	Breakaway cable	203202.001
4	DIN towing eye including screws	98761693	19	grease nipples	48032094
5	Anti-sway coupling KS30	209954.001	20	grease nipple caps	69024594
6	Bellows Item 1	69004692	21	Spring sleeve	98702594
7	Bellows Pos. 3+4	69000393	22	translation levers	98722483
8	Bellows Item 5	209335.001	23	Screw set handbrake lever	208230.001
9	cable strap	71000194	24	Screw set for guide bearing	208362.001
10	cases galvanized	upon request	25	clamping device complete.	98884993
11	Command Camp	26017893	26	Screw set shock absorbers	208360.001
12	Drawbars incl. item 13	98103094	27	bolts	41004494
13	Stop ring	206596.001			
13	Stop ring	69001494			
14	Cylinder pin	D6325.006			
15	shock absorbers	87000713			



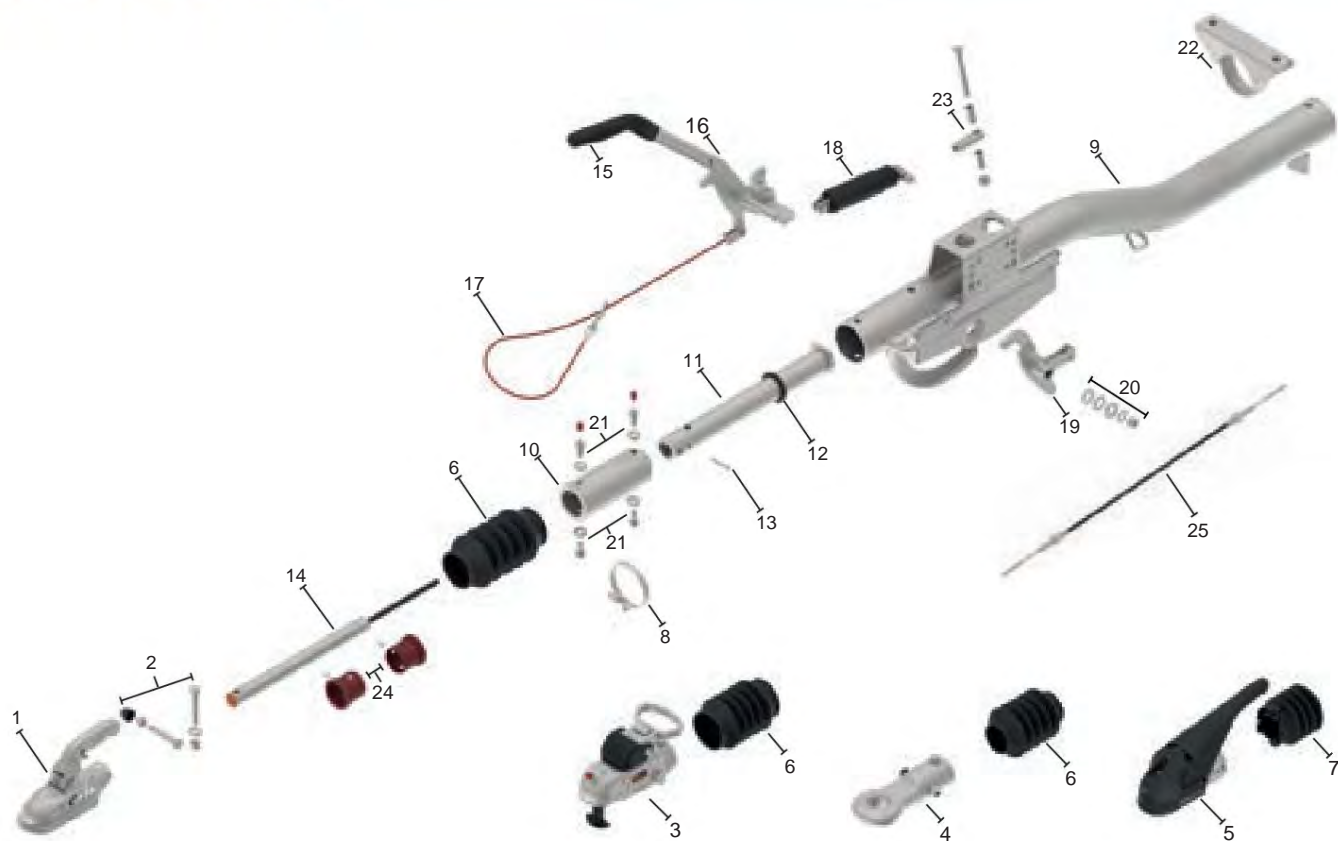
Position			Position		
1	ball coupling	8802429X	16		6J1031.006
2	Screw set Tow ball coupling	207309.001	17	Handbrake levers complete.	201943.001
3	Ball coupling including screw material	207437.001	18	Breakaway cable	203202.001
4	DIN towing eye including screws	98761693	19	grease nipples	48032094
5	Anti-sway coupling KS30	209954.001	20	grease nipple caps	69024594
6	Bellows Item 1	69004692	21	spring accumulators complete.	201856.001
7	Bellows Pos. 3+4	69000393	22	translation levers	98722483
8	Bellows Item 5	209335.001	23	Screw set handbrake lever	208230.001
9	cable strap	71000194	24	Screw set for guide bearing	208361.001
10	cases galvanized	upon request	25	clamping device complete.	98884993
11	Command Camp	26017893	26	Screw set shock absorbers	208360.001
12	Drawbars incl. item 13	98103094			
13	Stop ring	206596.001			
13	Stop ring	69001494			
14	Cylinder pin	D6325.006			
15	shock absorbers	87001113			



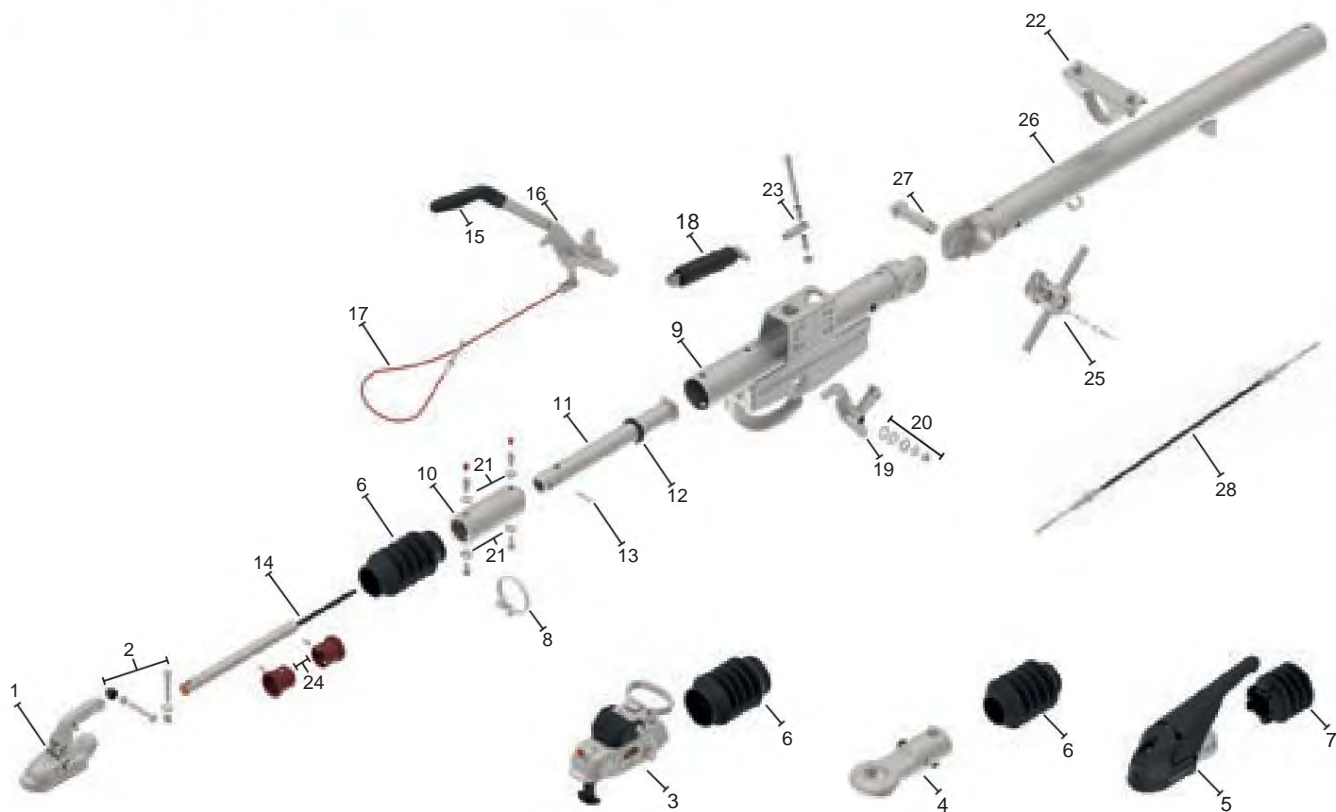
Position			Position		
1	ball coupling	8802429X	16	handbrake levers complete.	98703193
2	Screw set Tow ball coupling	207309.001	17	Breakaway cable	203202.001
3	Ball coupling including screw material	207437.001	18	Spring sleeve	98702594
4	DIN towing eye including screws	98761693	19	translation levers	98722483
5	Anti-sway coupling KS30	209954.001	20	Screw set handbrake lever	208230.001
6	Bellows Pos. 1+3+4	69000393	21	Screw set for guide bearing	208364.001
7	Bellows Item 5	209335.001	22	Clamping device complete.	98903193
8	cabl strap	71000194	23	Screw set shock absorbers	208363.001
9	cases galvanized	upon request	24	bolts	41004494
10	guide tubes complete.	98508393	25	Guide bearing set including locking pin	208027.001
11	Pull rod incl. item 12	726731.001			
12	Stop ring	206596.001			
12	Stop ring	69001494			
13	Cylinder pin	D6325.006			
14	shock absorbers	87000713			
15		6J1031.006			



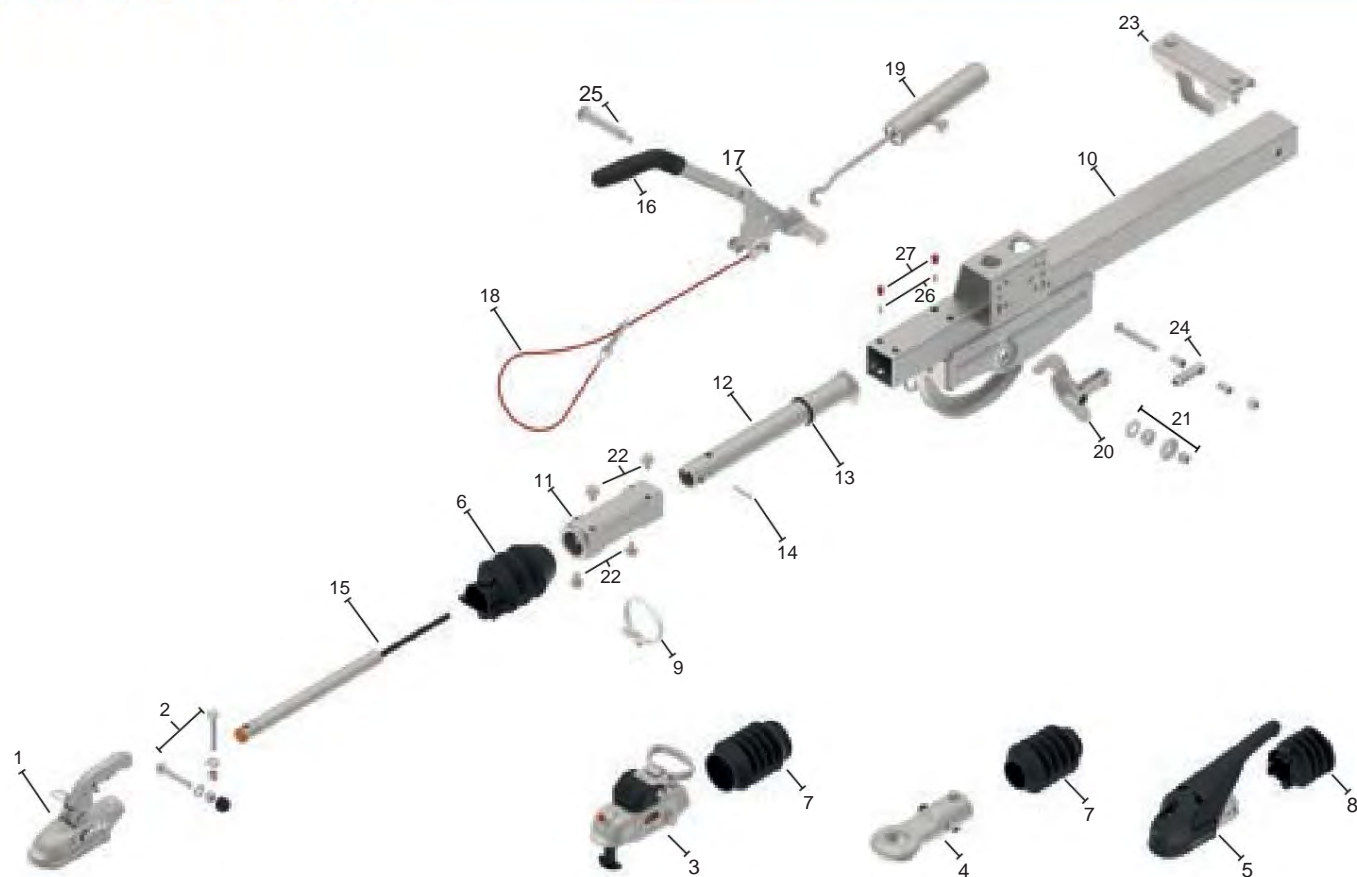
Position			Position		
1	ball coupling	8802429X	16	handbrake levers complete.	201943.001
2	Screw set Tow ball coupling	207309.001	17	Breakaway cable	203202.001
3	Ball coupling including screw material	207437.001	18	spring accumulators complete.	201856.001
4	DIN towing eye including screws	98761693	19	translation levers	98722483
5	Anti-sway coupling KS30	209954.001	20	Screw set handbrake lever	208230.001
6	Bellows Pos. 1+3+4	69000393	21	Screw set for guide bearing	208364.001
7	Bellows Item 5	209335.001	22	Clamping device complete.	98903193
8	cable strap	71000194	23	Screw set shock absorbers	208363.001
9	cases galvanized	upon request	24	Guide bearing set including locking pin	208027.001
10	guide tubes complete.	98508393			
11	Pull rod incl. item 12	726731.001			
12	Stop ring	206596.001			
12	Stop ring	69001494			
13	Cylinder pin	D6325.006			
14	shock absorbers	87000713			
15		6J1031.006			



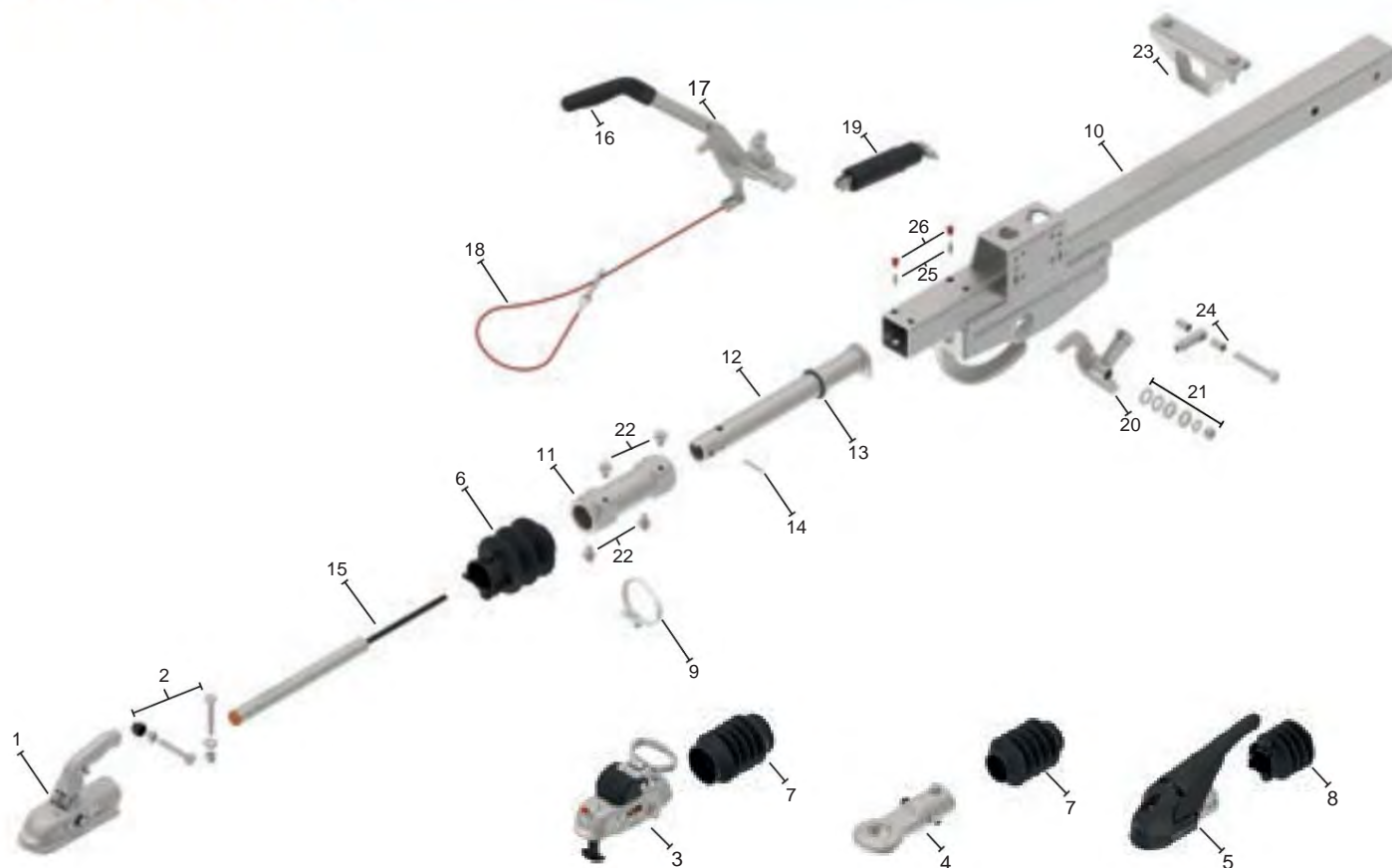
Position			Position		
1	ball coupling	8802429X	16	handbrake levers complete.	201943.001
2	Screw set Tow ball coupling	207309.001	17	Breakaway cable	203202.001
3	Ball coupling including screw material	207437.001	18	spring accumulators complete.	201856.001
4	DIN towing eye including screws	98761693	19	translation levers	98722483
5	Anti-sway coupling KS30	209954.001	20	Screw set handbrake lever	208230.001
6	Bellows Pos. 1+3+4	69000393	21	Screw set for guide bearing	208364.001
7	Bellows Item 5	209335.001	22	Clamping device complete.	98903193
8	cable strap	71000194	23	Screw set shock absorbers	208363.001
9	cases galvanized	upon request	24	Guide bearing set including locking pin	208027.001
10	guide tubes complete.	98508393	25	cable pull ( 500 / 870 )	980023.16
11	Pull rod incl. item 12	726731.001	25	cable pull ( 700 / 1070 )	980023.19
12	Stop ring	206596.001	25	cable pull ( 800 / 1170 )	980023.17
12	Stop ring	69001494	25	cable pull ( 900 / 1270 )	980023.14
13	Cylinder pin	D6325.006			
14	shock absorbers	87000713			
15		6J1031.006			



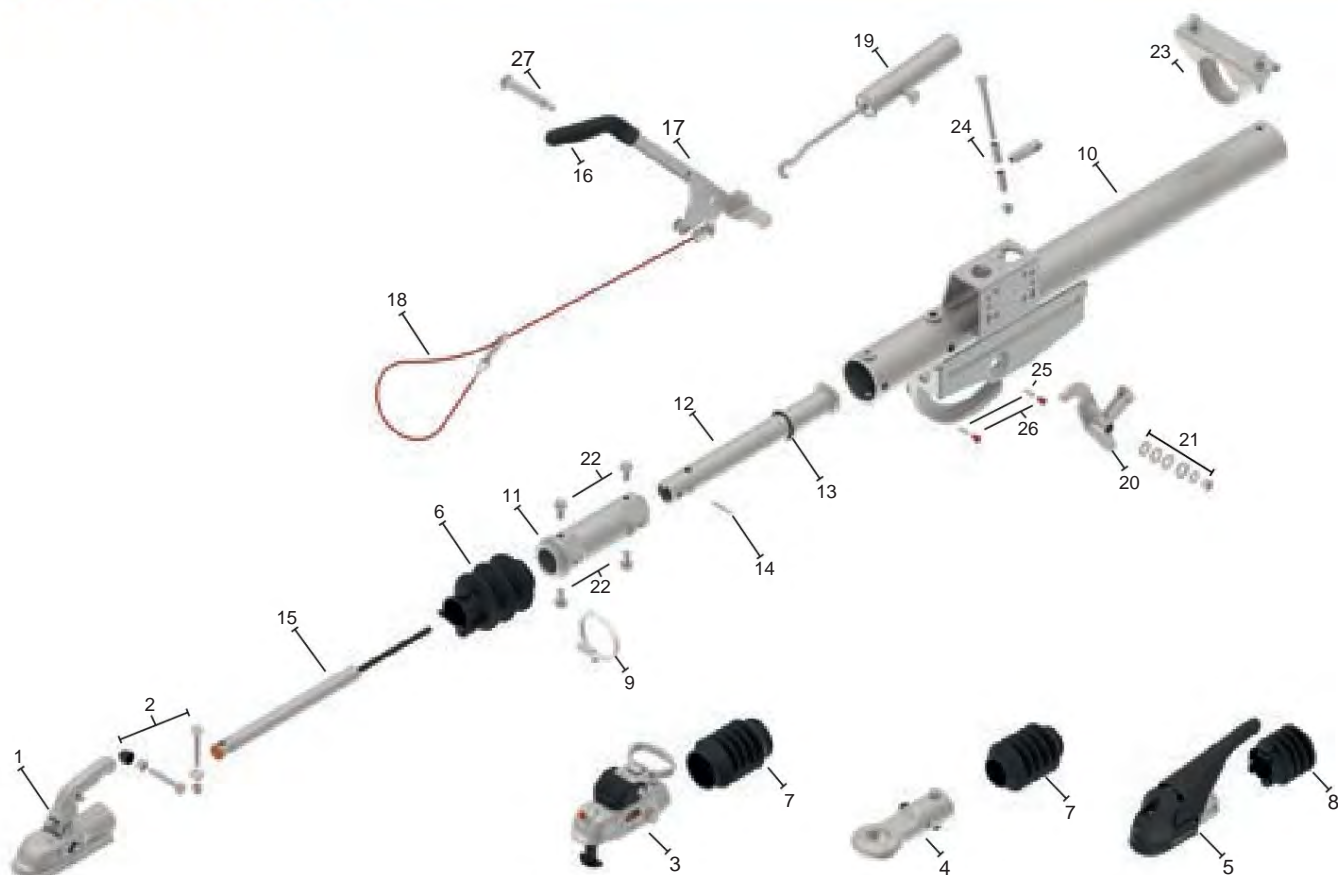
Position			Position		
1	ball coupling	8802429X	16	handbrake levers complete.	201943.001
2	Screw set Tow ball coupling	207309.001	17	Breakaway cable	203202.001
3	Ball coupling including screw material	207437.001	18	spring accumulators complete.	201856.001
4	DIN towing eye including screws	98761693	19	translation levers	98722483
5	Anti-sway coupling KS30	209954.001	20	Screw set handbrake lever	208230.001
6	Bellows Pos. 1+3+4	69000393	21	Screw set for guide bearing	208364.001
7	Bellows Item 5	209335.001	22	Clamping device complete.	98903193
8	cabl strap	71000194	23	Screw set shock absorbers	208363.001
9	cases galvanized	upon request	24	Guide bearing set including locking pin	208027.001
10	guide bearings complete.	98508393	25	toggles complete.	9800169X
11	Pull rod incl. item 12	726731.001	26	Drawbar	9894279252
12	Stop ring	206596.001	27	bolts	41001594
12	Stop ring	69001494	28	cabl pull ( 300 / 670 )	980023.15
13	Cylinder pin	D6325.006	28	cabl pull ( 1000 / 1370 )	980023.01
14	shock absorbers	87000713			
15		6J1031.006			



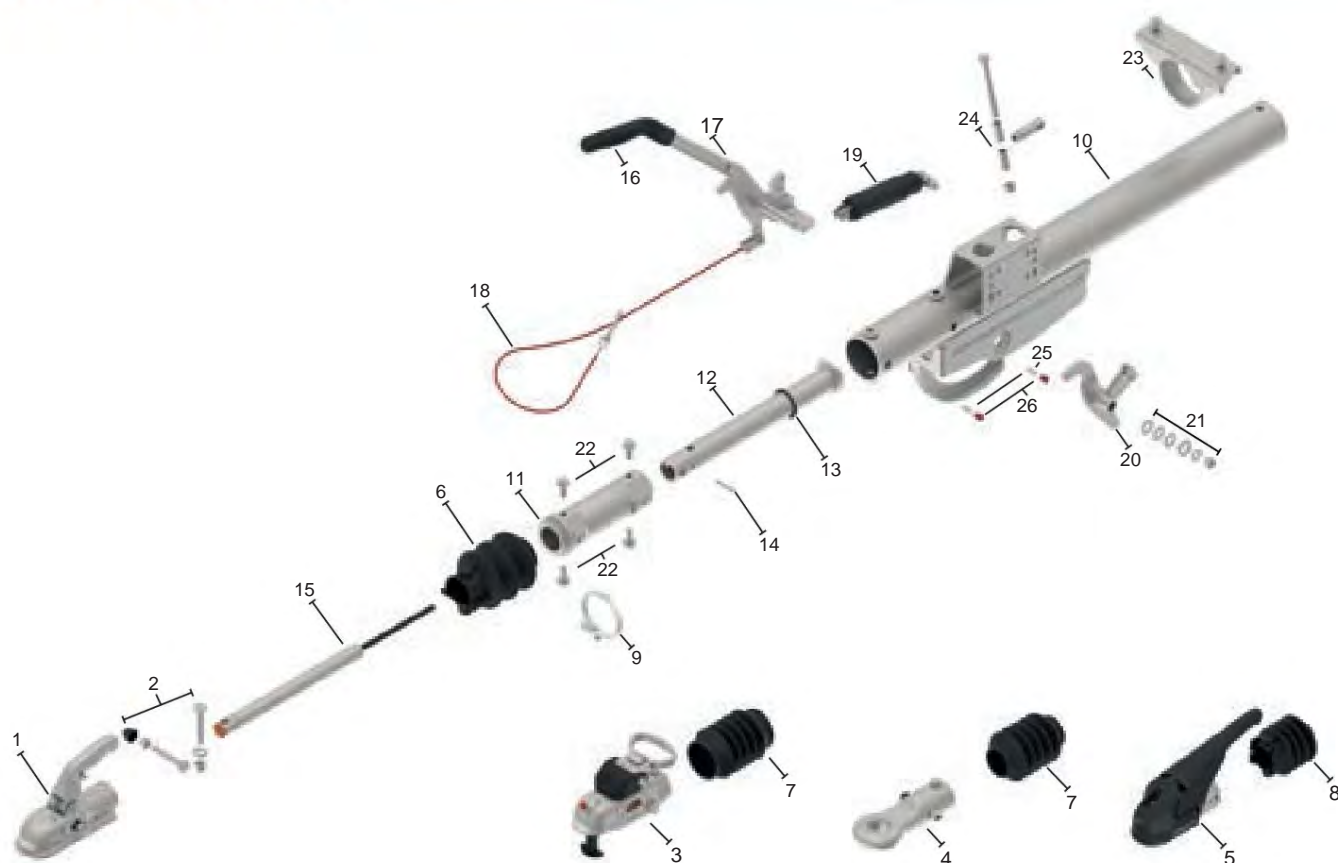
Position			Position		
1	ball coupling	8802399X	16		6J1031.006
2	Screw set Tow ball coupling	207309.001	17	Handbrake levers complete.	98703193
3	Ball coupling including screw material	207437.001	18	Breakaway cable	203202.001
4	DIN towing eye including screws	98761693	19	Spring sleeve	98702594
5	Anti-sway coupling KS30	209954.001	20	translation levers	98722483
6	Bellows Item 1	69004692	21	Screw set handbrake lever	208230.001
7	Bellows Pos. 3+4	69000393	22	Screw set for guide bearing	208362.001
8	Bellows Item 5	209335.001	23	Clamping device complete.	98884993
9	cable strap	71000194	24	Screw set shock absorbers	208360.001
10	cases galvanized	upon request	25	bolts	41004494
11	complete guide bearings	26017893	26	grease nipples	48032094
12	Drawbars incl. item 13	98103094	27	grease nipple cap	69024594
13	Stop ring	206596.001			
13	Stop ring	69001494			
14	Cylinder pin	D6325.006			
15	shock absorbers	87001113			



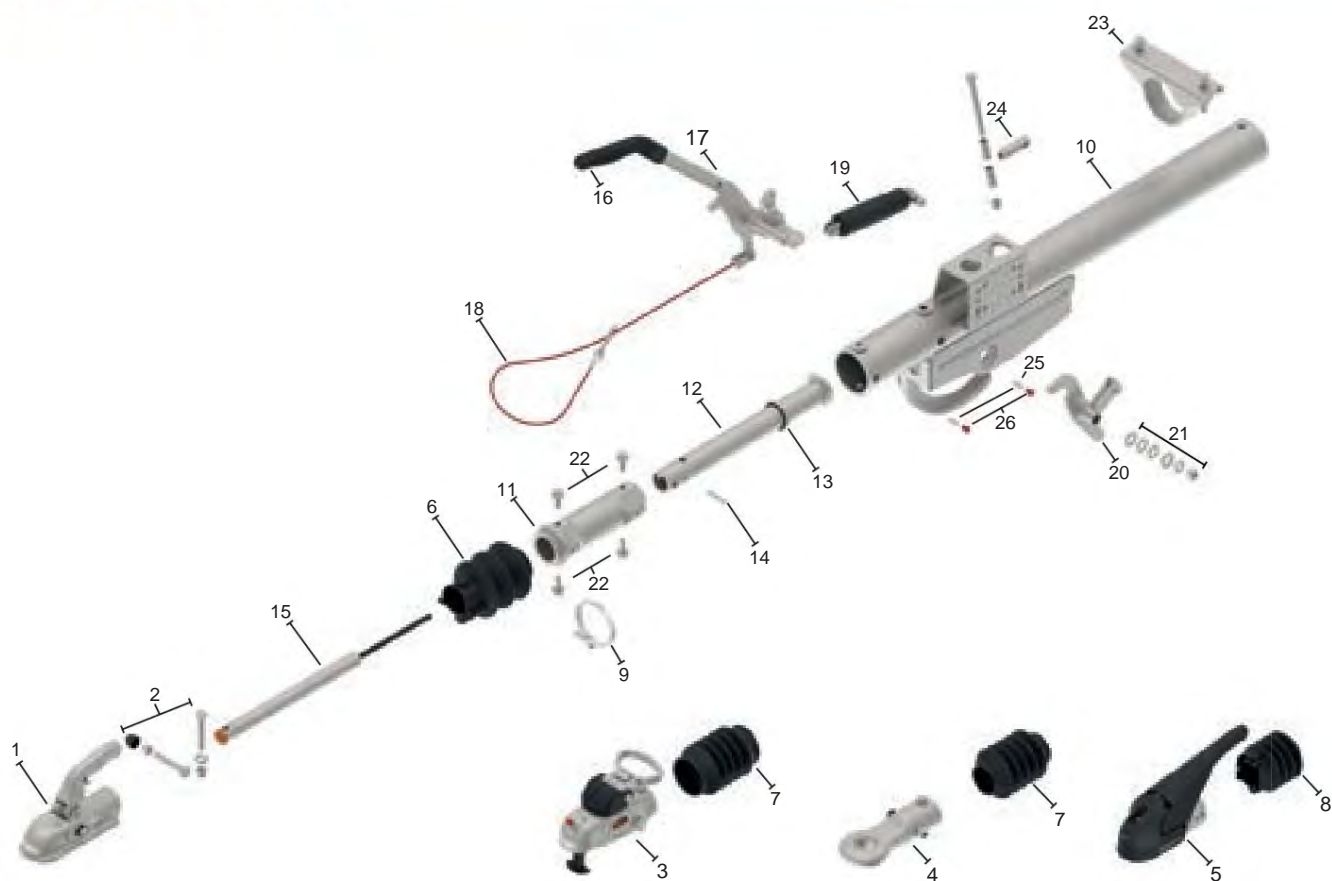
Position			Position		
1	ball coupling	8802399X	16		6J1031.006
2	Screw set Tow ball coupling	207309.001	17	Handbrake levers complete.	201943.001
3	Ball coupling including screw material	207437.001	18	Breakaway cable	203202.001
4	DIN towing eye including screws	98761693	19	spring accumulators complete.	201856.001
5	Anti-sway coupling KS30	209954.001	20	translation levers	98722483
6	Bellows Item 1	69004692	21	Screw set handbrake lever	208230.001
7	Bellows Pos. 3+4	69000393	22	Screw set for guide bearing	208362.001
8	Bellows Item 5	209335.001	23	Clamping device complete.	98884993
9	cable strap	71000194	24	Screw set shock absorbers	208360.001
10	cases galvanized	upon request	25	grease nipples	48032094
11	complete guide bearings	26017893	26	grease nipple cap	69024594
12	Drawbars incl. item 13	98103094			
13	Stop ring	206596.001			
13	Stop ring	69001494			
14	Cylinder pin	D6325.006			
15	shock absorbers	87001113			



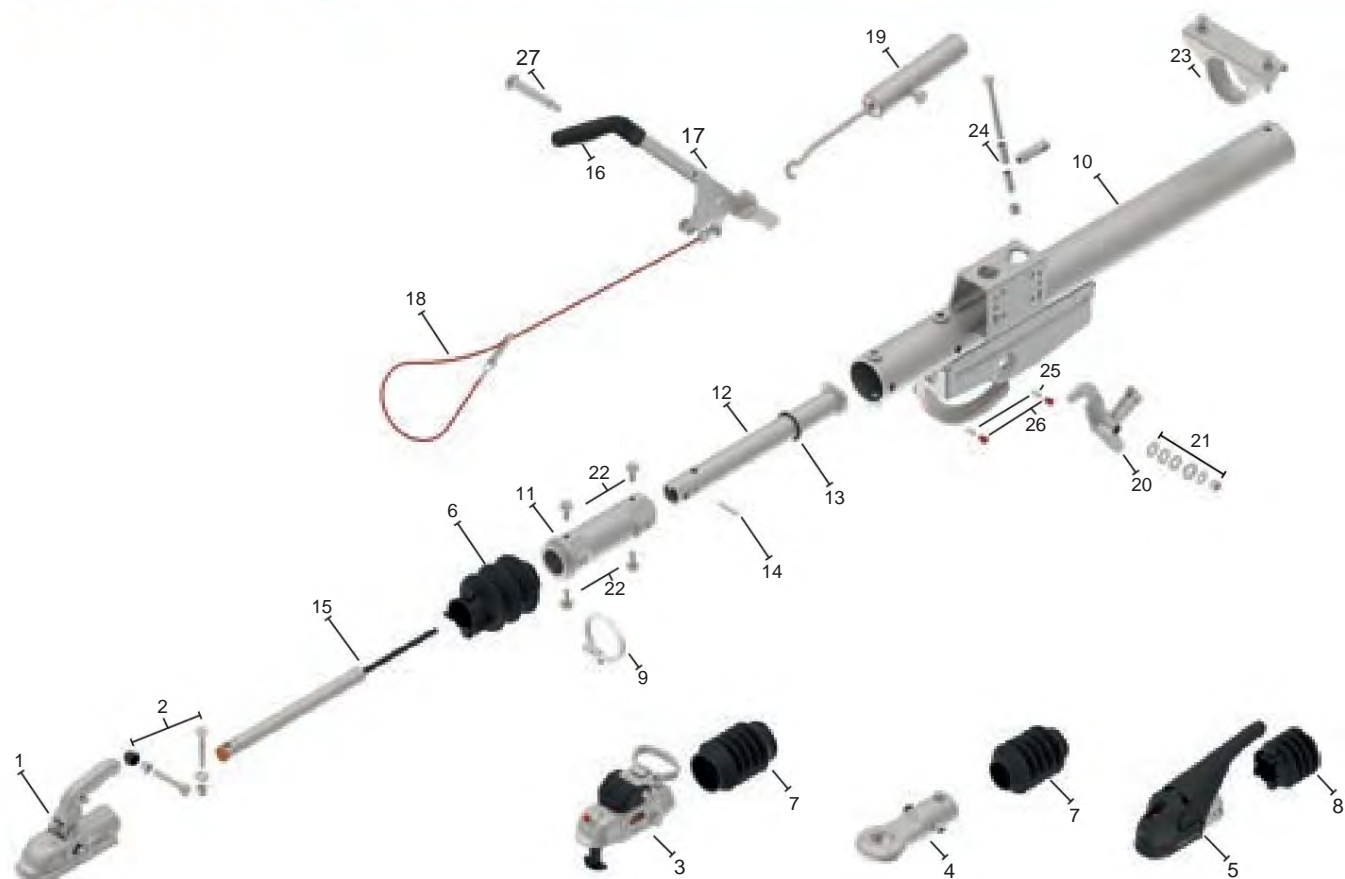
Position			Position		
1	ball coupling	8802399X	16		6J1031.006
2	Screw set Tow ball coupling	207309.001	17	Handbrake levers complete.	98703193
3	Ball coupling including screw material	207437.001	18	Breakaway cable	203202.002
4	DIN towing eye including screws	98761693	19	Spring sleeve	98702594
5	Anti-sway coupling KS30	209954.001	20	translation levers	98722483
6	Bellows Item 1	69004692	21	Screw set handbrake lever	208230.001
7	Bellows Pos. 3+4	69000393	22	Screw set for guide bearing	208367.001
8	Bellows Item 5	209335.001	23	Clamping device complete.	98885293
9	cable strap	71000194	24	Screw set shock absorbers	208365.001
10	cases galvanized	upon request	25	conical grease nipples	202164.001
11	complete guide bearings	201398.003	26	grease nipple cap	69024594
12	Drawbars incl. item 13	98103094	27	bolts	41004494
13	Stop ring	206596.001			
13	Stop ring	69001494			
14	Cylinder pin	D6325.006			
15	shock absorbers	87001113			



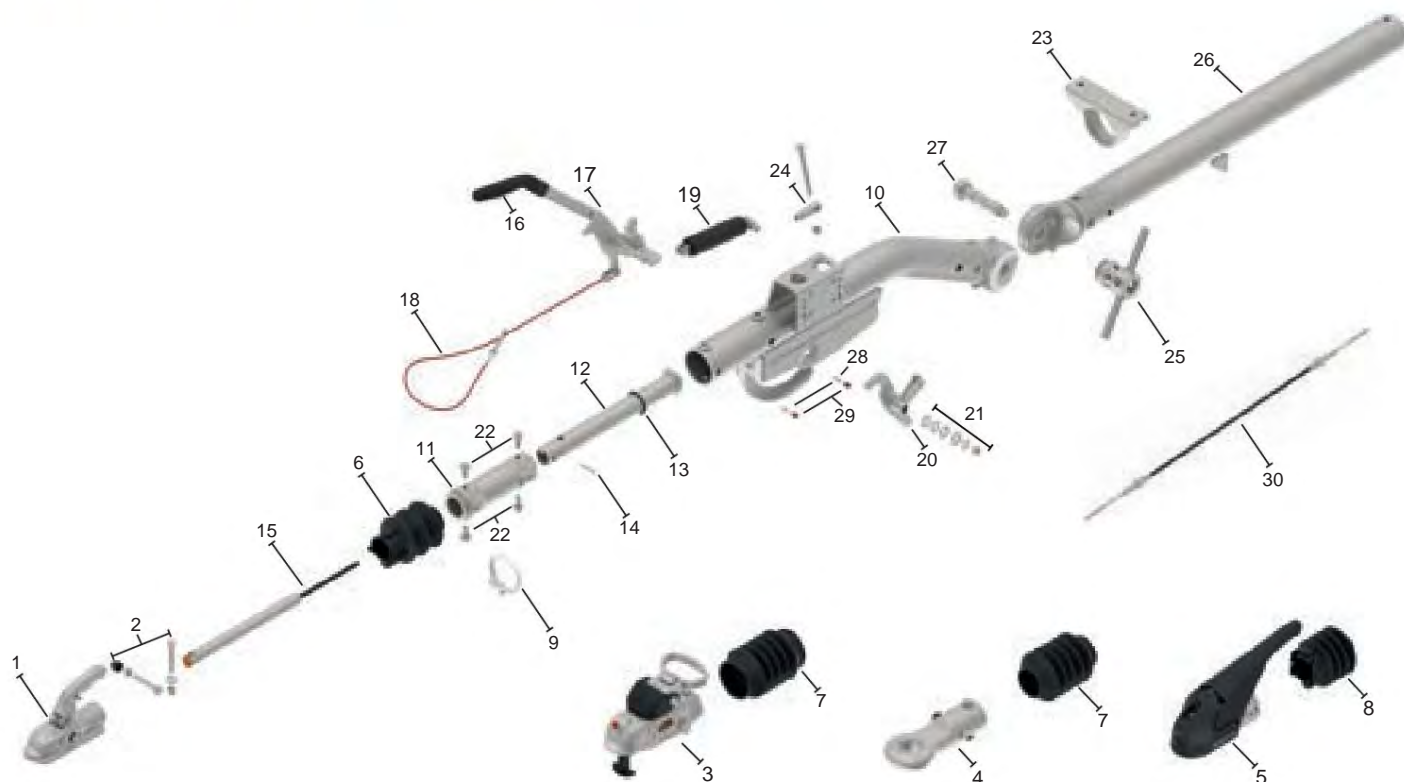
Position			Position		
1	ball coupling	8802399X	16		6J1031.006
2	Screw set Tow ball coupling	207309.001	17	Handbrake levers complete.	201943.001
3	Ball coupling including screw material	207437.001	18	Breakaway cable	203202.001
4	DIN towing eye including screws	98761693	19	spring accumulators complete.	201856.001
5	Anti-sway coupling KS30	209954.001	20	translation levers	98722483
6	Bellows Item 1	69004692	21	Screw set handbrake lever	208230.001
7	Bellows Pos. 3+4	69000393	22	Screw set for guide bearing	208367.001
8	Bellows Item 5	209335.001	23	Clamping device complete.	98885293
9	cable strap	71000194	24	Screw set shock absorbers	208365.001
10	cases galvanized	upon request	25	conical grease nipples	202164.001
11	complete guide bearings	201398.003	26	grease nipple cap	69024594
12	Drawbars incl. item 13	726731.001			
13	Stop ring	206596.001			
13	Stop ring	69001494			
14	Cylinder pin	D6325.006			
15	shock absorbers	87001113			



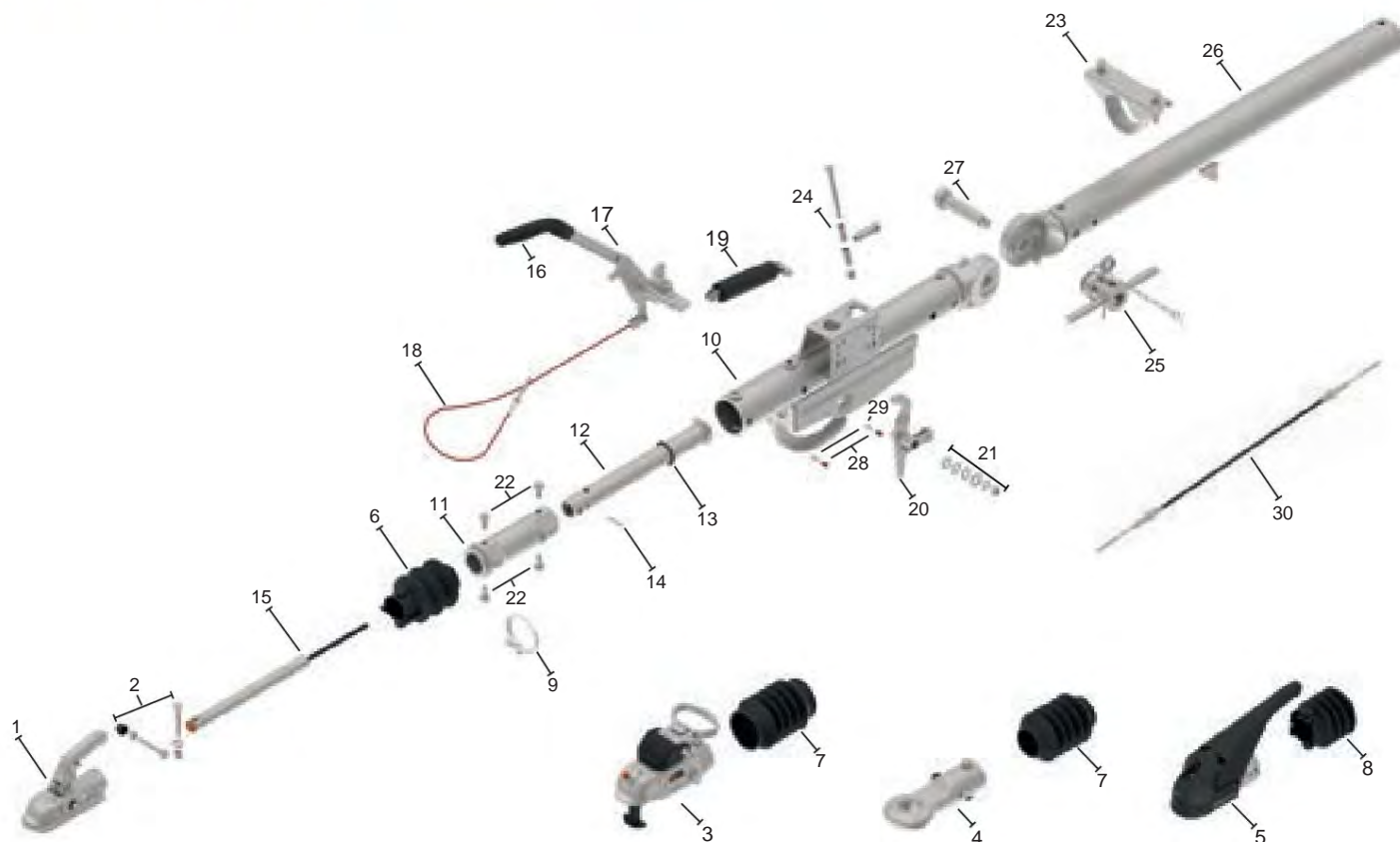
Position			Position		
1	ball coupling	8802529X	16		6J1031.006
2	Screw set Tow ball coupling	207448.001	17	Handbrake levers complete.	201943.001
3	Ball coupling including screw material	206486.001	18	Breakaway cable	203202.001
4	DIN towing eye including screws	98949493	19	spring accumulators complete.	201856.001
5	Anti-sway coupling KS30	209954.003	20	translation levers	98722483
6	Bellows Item 1	69004692	21	Screw set handbrake lever	208230.001
7	Bellows Pos. 3+4	69000393	22	Screw set for guide bearing	208367.001
8	Bellows Item 5	209335.001	23	Clamping device complete.	202831.001
9	cable strap	71000194	24	Screw set shock absorbers	208365.001
10	cases galvanized	upon request	25	conical grease nipples	202164.001
11	complete guide bearings	201807.001	26	grease nipple cap	69024594
12	Pull rod incl. Pos 12	98853194			
13	Stop ring	206596.002			
13	Stop ring	69001494			
14	Cylinder pin	D6325.006			
15	shock absorbers	87001113			



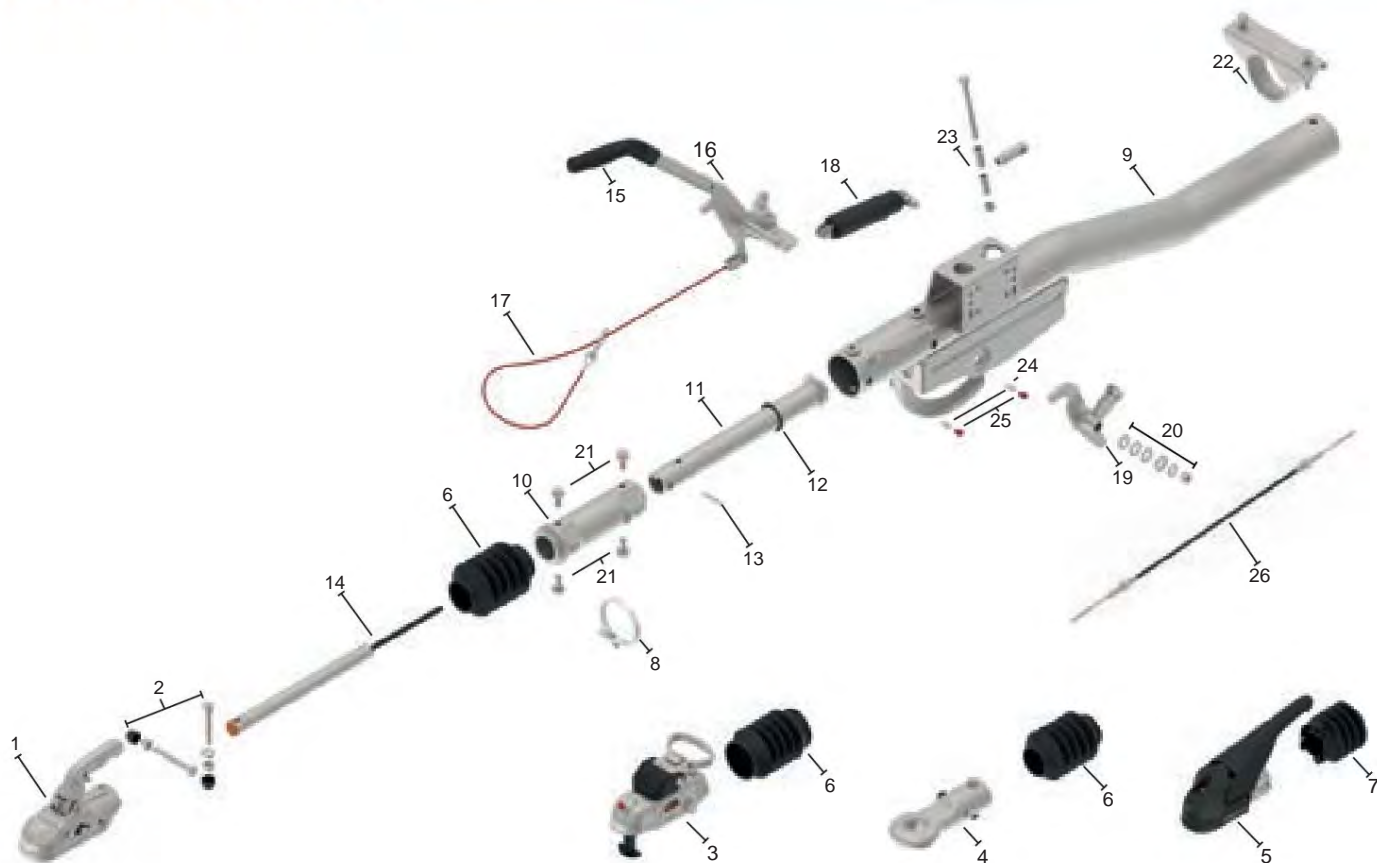
Position			Position		
1	ball coupling	8802529X	16		6J1031.006
2	Screw set Tow ball coupling	207448.001	17	Handbrake levers complete.	98703193
3	Ball coupling including screw material	207437.001	18	Breakaway cable	203202.002
4	DIN towing eye including screws	98949493	19	Spring sleeve	98702694
5	Anti-sway coupling KS30	209954.002	20	translation levers	98722483
6	Bellows Item 1	69004692	21	Screw set handbrake lever	208230.001
7	Bellows Pos. 3+4	69000393	22	Screw set for guide bearing	208367.001
8	Bellows Item 5	209335.001	23	Clamping device complete.	98885293
9	cable strap	71000194	24	Screw set shock absorbers	208365.001
10	cases galvanized	upon request	25	conical grease nipples	202164.001
11	complete guide bearings	201807.001	26	grease nipple cap	69024594
12	Drawbars incl. item 13	98853194	27	bolts	41000994
13	Stop ring	206596.001			
13	Stop ring	69001494			
14	Cylinder pin	D6325.006			
15	shock absorbers	87003913			



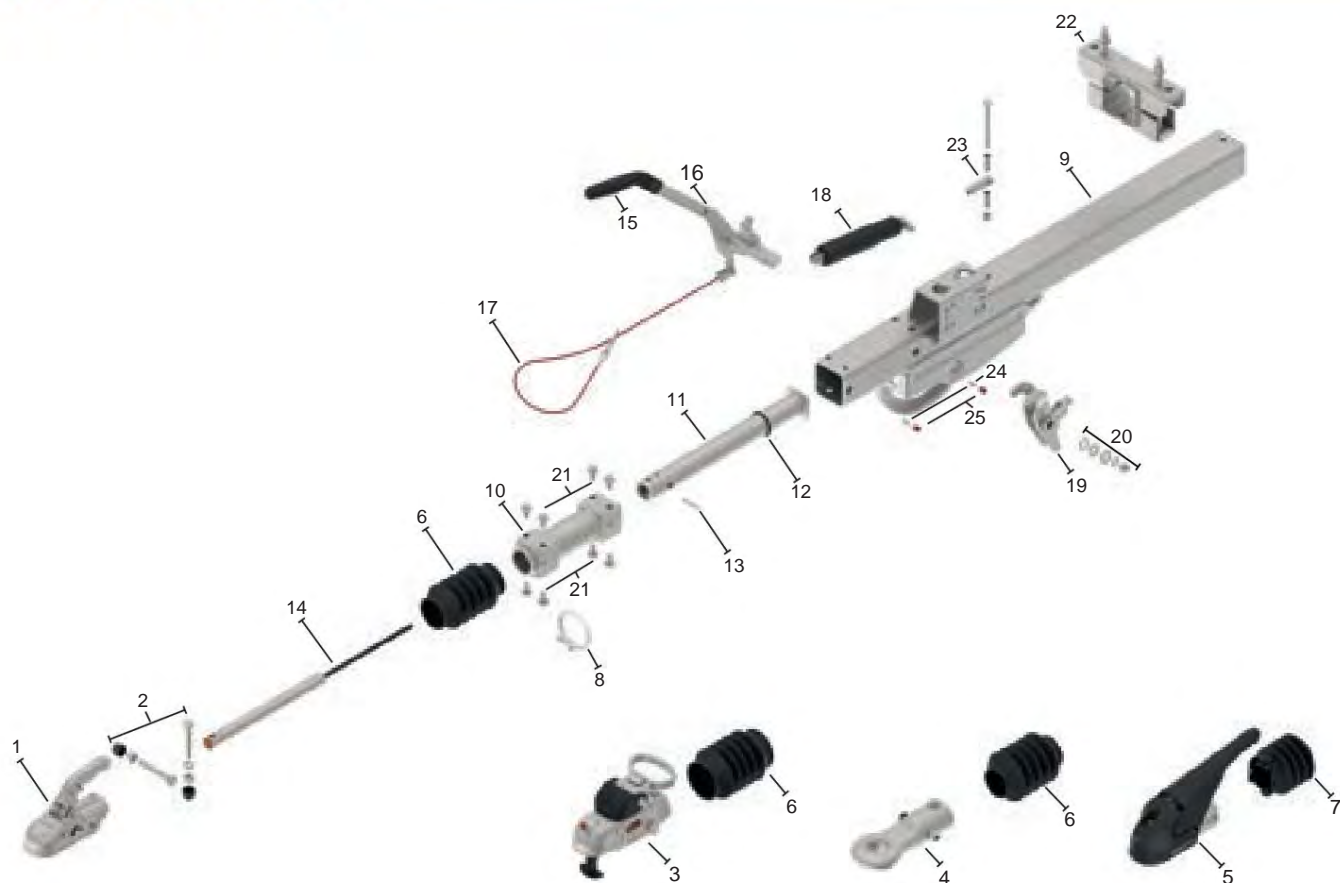
Position			Position		
1	ball coupling	8802399X	16		6J1031.006
2	Screw set Tow ball coupling	207309.001	17	Handbrake levers complete.	201943.001
3	Ball coupling including screw material	207437.001	18	Breakaway cable	203202.001
4	DIN towing eye including screws	98761693	19	spring accumulators complete.	201856.001
5	Anti-sway coupling KS30	209954.002	20	translation levers	98722483
6	Bellows Item 1	69004692	21	Screw set handbrake lever	208230.001
7	Bellows Pos. 3+4	69000393	22	Screw set for guide bearing	208367.001
8	Folding bag Item 5	209335.001	23	Clamping device complete.	202831.001
9	cable strap	71000194	24	Screw set shock absorbers	208365.001
10	cases galvanized	upon request	25	toggles complete.	9800169X
11	complete guide bearings	201398.003	26	Drawbar	200179.001
12	Drawbars incl. item 13	726731.001	27	bolts	41003284
13	Stop ring	206596.001	28	conical grease nipples	202164.001
13	Stop ring	69001494	29	grease nipple cap	69024594
14	Cylinder pin	D6325.006	30	cable pull ( 1000 / 1370 )	980023.01
15	shock absorbers	87001113			



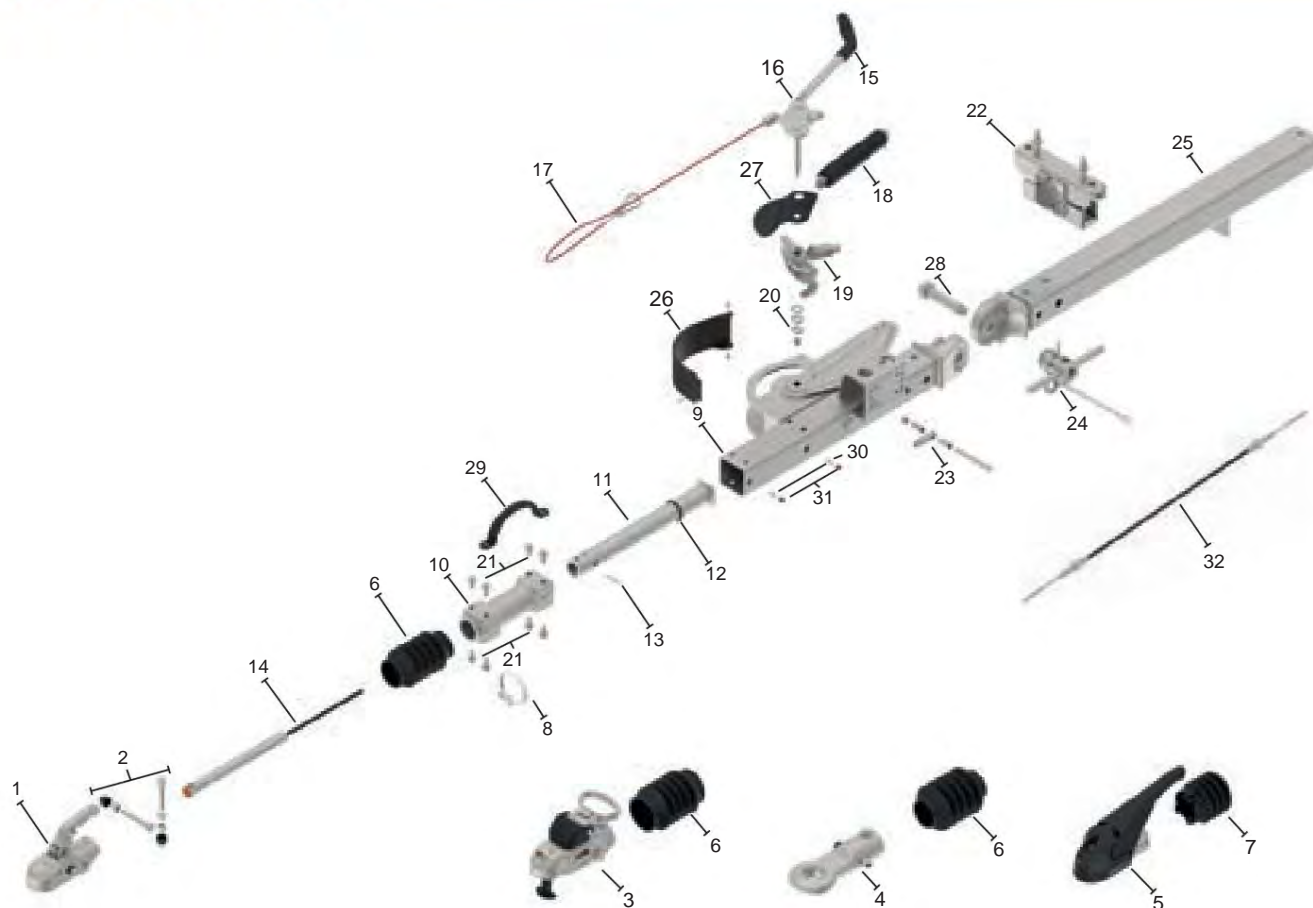
Position			Position		
1	ball coupling	8802399X	16		6J1031.006
2	Screw set Tow ball coupling	207309.001	17	Handbrake levers complete.	201943.001
3	Ball coupling including screw material	207437.001	18	Breakaway cable	203202.001
4	DIN towing eye including screws	98761693	19	spring accumulators complete.	201856.001
5	Anti-sway coupling KS30	209954.001	20	translation levers	98722483
6	Bellows Item 1	69004692	21	Screw set handbrake lever	208230.001
7	Bellows Pos. 3+4	69000393	22	Screw set for guide bearing	208367.001
8	Bellows Item 5	209335.001	23	Clamping device complete.	98885293
9	cable strap	71000194	24	Screw set shock absorbers	208365.001
10	cases galvanized	upon request	25	toggles complete.	9800169X
11	complete guide bearings	201398.003	26	Drawbar	200179.001
12	Drawbars incl. item 13	726731.001	27	bolts	41003284
13	Stop ring	206596.001	28	conical grease nipples	202164.001
13	Stop ring	69001494	29	grease nipple cap	69024594
14	Cylinder pin	D6325.006	30	cable pull ( 800 / 1170 )	980023.17
15	shock absorbers	87001113			



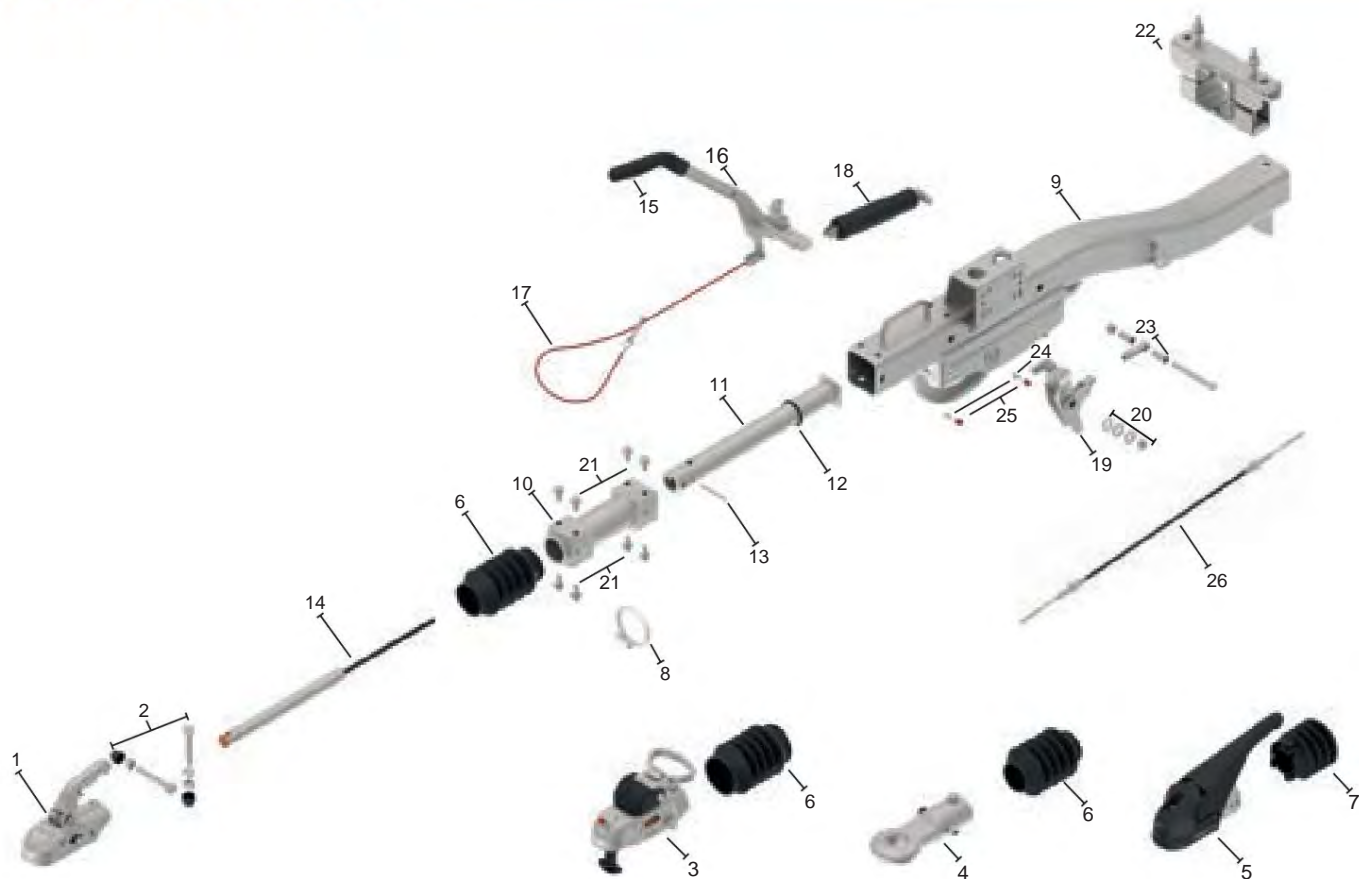
Position			Position		
1	ball coupling	8802399X	16	handbrake levers complete.	201943.001
2	Screw set Tow ball coupling	207309.001	17	Breakaway cable	203202.001
3	Ball coupling including screw material	207437.001	18	spring accumulators complete.	201856.001
4	DIN towing eye including screws	98761693	19	translation levers	98722483
5	Anti-sway coupling KS30	209954.001	20	Screw set handbrake lever	208230.001
6	Bellows Pos. 1+3+4	69000393	21	Screw set for guide bearing	208367.001
7	Bellows Item 5	209335.001	22	Clamping device complete.	98885293
8	cable strap	71000194	23	Screw set shock absorbers	208365.001
9	cases galvanized	upon request	24	conical grease nipples	202164.001
10	guide bearings complete.	201398.003	25	grease nipple caps	69024594
11	Pull rod incl. item 12	726731.001	26	cable pull ( 800 / 1170 )	980023.17
12	Stop ring	206596.001	26	cable pull ( 900 / 1270 )	980023.14
12	Stop ring	69001494	26	cable pull ( 1200 / 1570 )	980023.03
13	Cylinder pin	D6325.006			
14	shock absorbers	87001113			
15		6J1031.006			



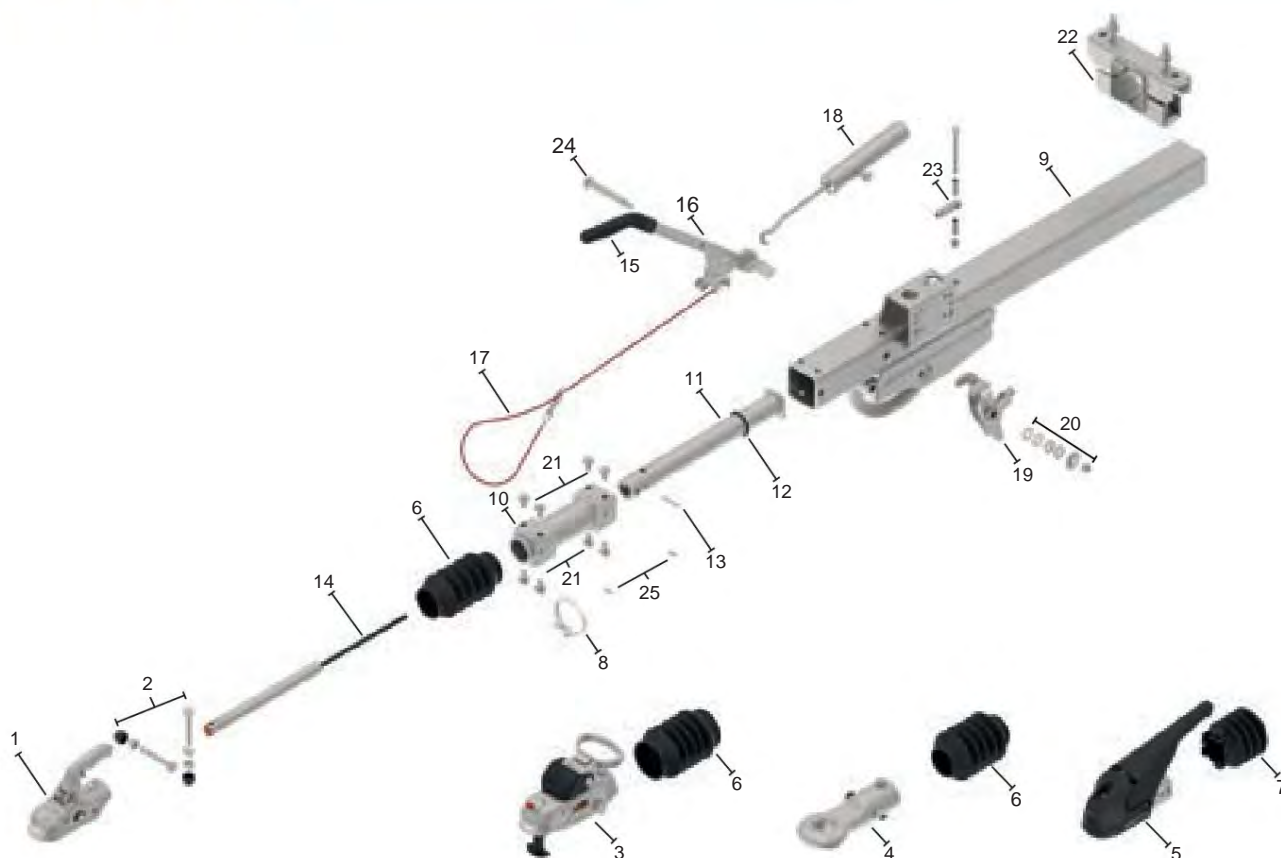
Position			Position		
1	ball coupling	8802539X	15		6J1031.006
2	Screw set Tow ball coupling	208352.001	16	handbrake levers complete.	202682.001
3	Ball coupling including screw material	206486.001	17	Breakaway cable	203202.001
4	DIN towing eye including screws	98761993	18	spring accumulators complete.	202453.001
5	Anti-sway coupling KS30	209954.003	19	translation levers	98812993
6	Bellows Pos. 1+3+4	69000393	20	Screw set handbrake lever	208369.001
7	Bellows Item 5	209335.001	21	Screw set for guide bearing	208357.001
8	cable strap	71000194	22	Clamping device complete.	98761193
9	cases galvanized	upon request	23	Screw set shock absorbers	208365.001
10	guide bearings complete.	200312.002	24	conical grease nipples	202164.001
11	Pull rod incl. item 12	98596283	25	grease nipple caps	69024594
12	Stop ring	206596.002			
12	Stop ring	69001494			
13	Cylinder pin	D6325.008			
14	shock absorbers for	87001313			
14	shock absorbers for	87001413			



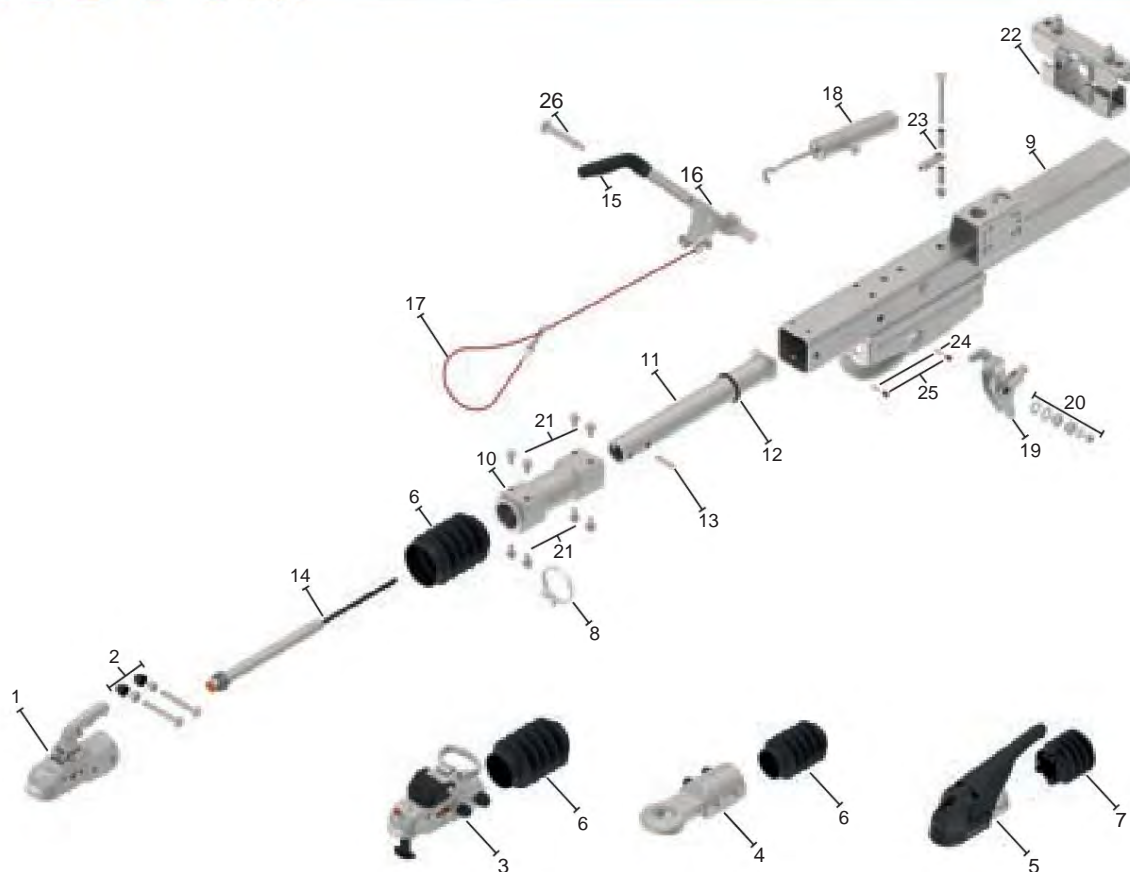
Position			Position			Position		
1	ball coupling	8802539X	16	handbrake levers complete.	201137.001	32	cable pull ( 900 / 1270 )	980000.12
2	Screw set Tow ball coupling	208352.001	17	Breakaway cable	203202.002	32	cable pull ( 1000 / 1370 )	980000.01
3	Ball coupling including screw material	206486.001	18	spring accumulators complete.	202086.001	32	cable pull ( 1100 / 1470 )	980000.02
4	DIN towing eye including screws	98761993	19	translation levers	203687.002	32	cable pull ( 1200 / 1570 )	980000.03
5	Anti-sway coupling KS30	209954.003	20	Screw set handbrake lever	208369.001			
6	Bellows Pos. 1+3+4	69000393	21	Screw set for guide bearing	208357.001			
7	Bellows Item 5	209335.001	22	Clamping device complete.	98761193			
8	cable strap	71000194	23	Screw set shock absorbers	208365.001			
9	cases galvanized	upon request	24	gags	98852793			
10	guide bearings complete.	200312.002	25	Drawbar	203997.001			
11	Pull rod incl. item 12	98596283	26	"KNOTT"	201244.002			
12	Stop ring	206596.002	27	Cover	202168.001			
12	Stop ring	69001494	28	bolts	41003284			
13	Cylinder pin	D6325.008	29		4300739302			
14	shock absorbers	87001313	30	conical grease nipples	202164.001			
15		6J1031.006	31	grease nipple cap	69024594			



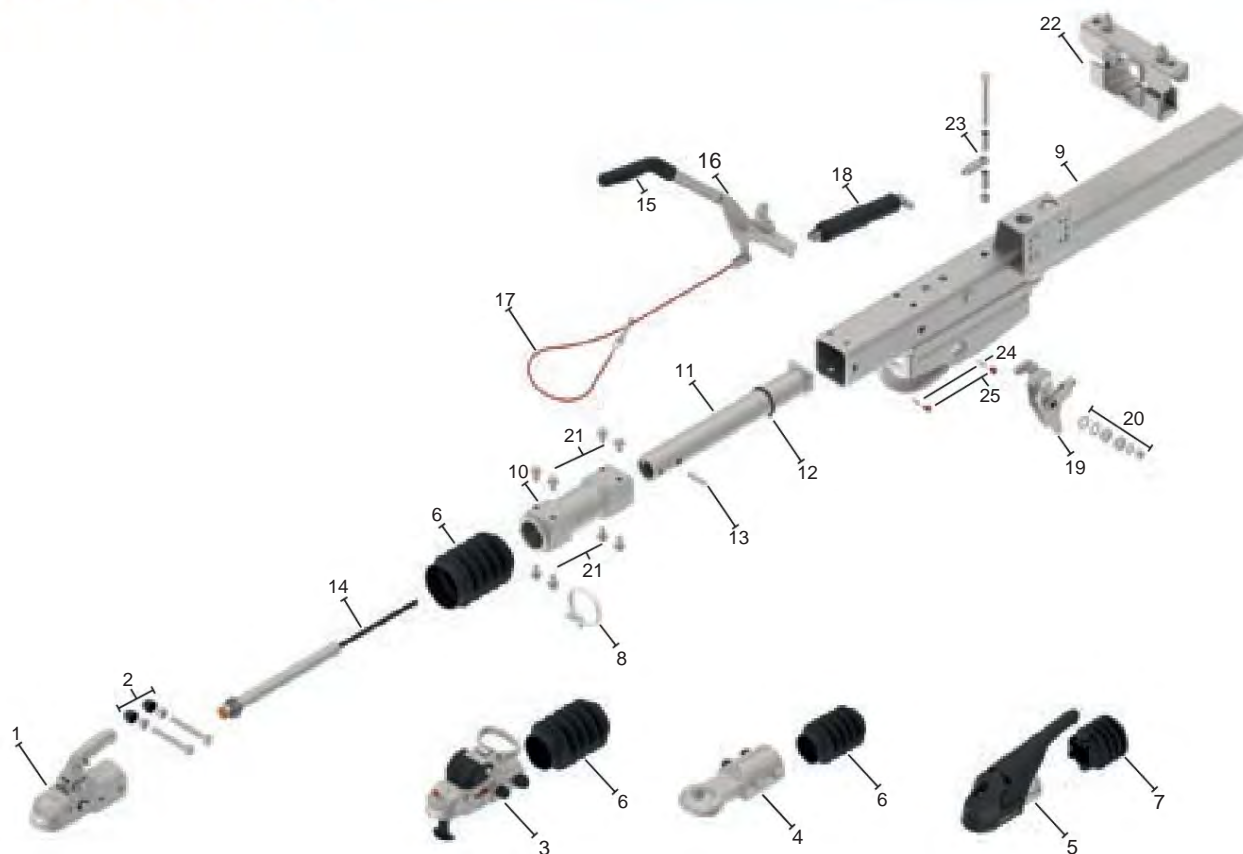
Position			Position		
1	ball coupling	8802539X	15		6J1031.006
2	Screw set Tow ball coupling	208352.001	16	handbrake levers complete.	202682.001
3	Ball coupling including screw material	206486.001	17	Breakaway cable	203202.001
4	DIN towing eye including screws	98761993	18	spring accumulators complete.	202453.001
5	Anti-sway coupling KS30	209954.003	19	translation levers	98812993
6	Bellows Pos. 1+3+4	69000393	20	Screw set handbrake lever	208369.001
7	Bellows Item 5	209335.001	21	Screw set for guide bearing	208357.001
8	cable strap	71000194	22	Clamping device complete.	98761193
9	cases galvanized	upon request	23	Screw set shock absorbers	208365.001
10	guide bearings complete.	200312.002	24	conical grease nipples	202164.001
11	Pull rod incl. item 12	98596283	25	grease nipple caps	69024594
12	Stop ring	206596.002	26	cable pull ( 900 / 1270 )	980023.14
12	Stop ring	69001494	26	cable pull ( 1200 / 1570 )	980023.03
13	Cylinder pin	D6325.008			
14	shock absorbers for	87001313			
14	shock absorbers for	87001413			



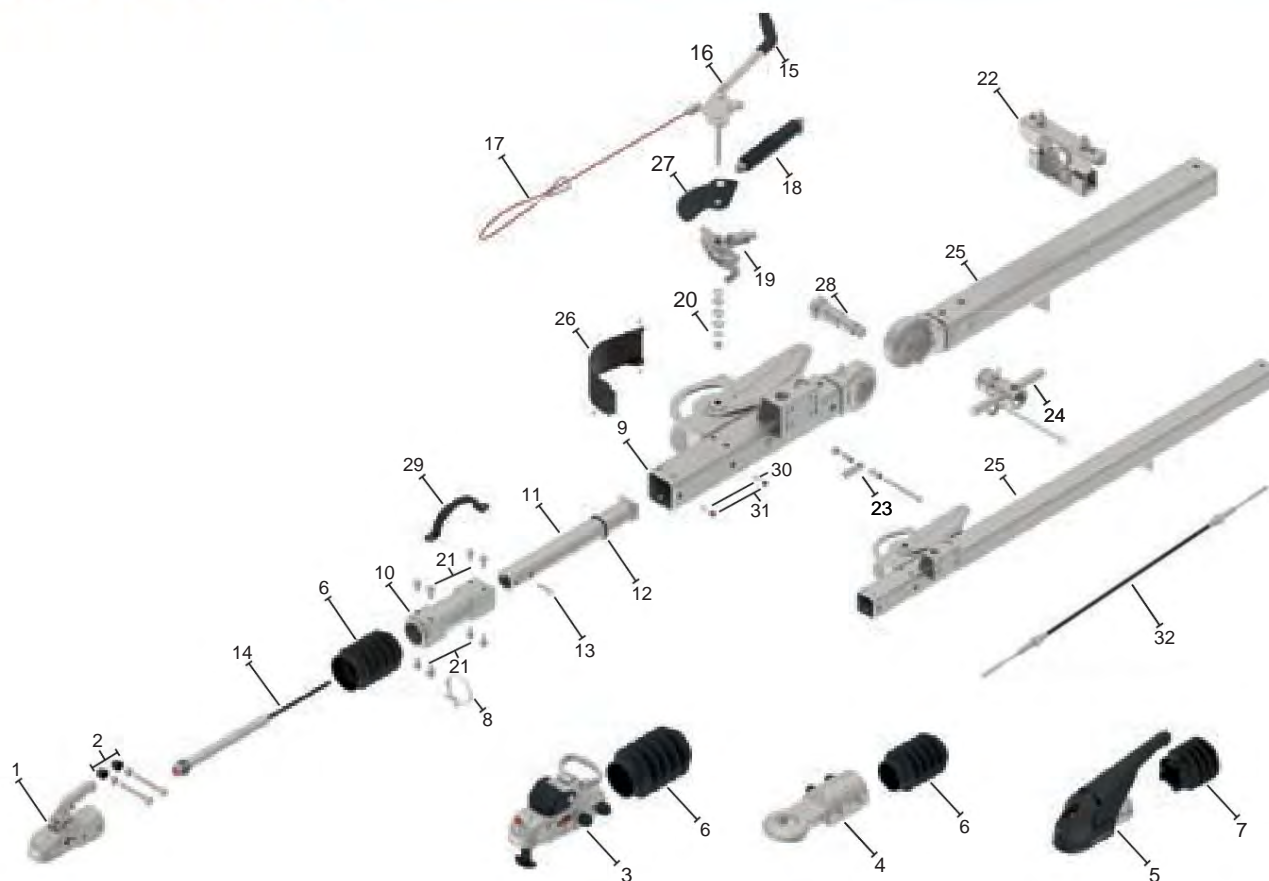
Position			Position		
1	ball coupling	8802539X	15		6J1031.006
2	Screw set Tow ball coupling	208352.001	16	handbrake levers complete.	98703193
3	Ball coupling including screw material	206486.001	17	Breakaway cable	203202.002
4	DIN towing eye including screws	98761993	18	Spring sleeve	98702694
5	Anti-sway coupling KS30	209954.003	19	translation levers	98812993
6	Bellows Pos. 1+3+4	69000393	20	Screw set handbrake lever	208369.001
7	Bellows Item 5	209335.001	21	Screw set for guide bearing	208357.001
8	cabl strap	71000194	22	Clamping device complete.	98761193
9	cases galvanized	upon request	23	Screw set shock absorbers	208365.001
10	guide bearings complete.	200312.002	24	bolts	41000994
11	Pull rod incl. item 12	98596283	25	conical grease nipples	202164.001
12	Stop ring	206596.002			
12	Stop ring	69001494			
13	Cylinder pin	D6325.008			
14	shock absorbers for	87001313			
14	shock absorbers for	87001413			



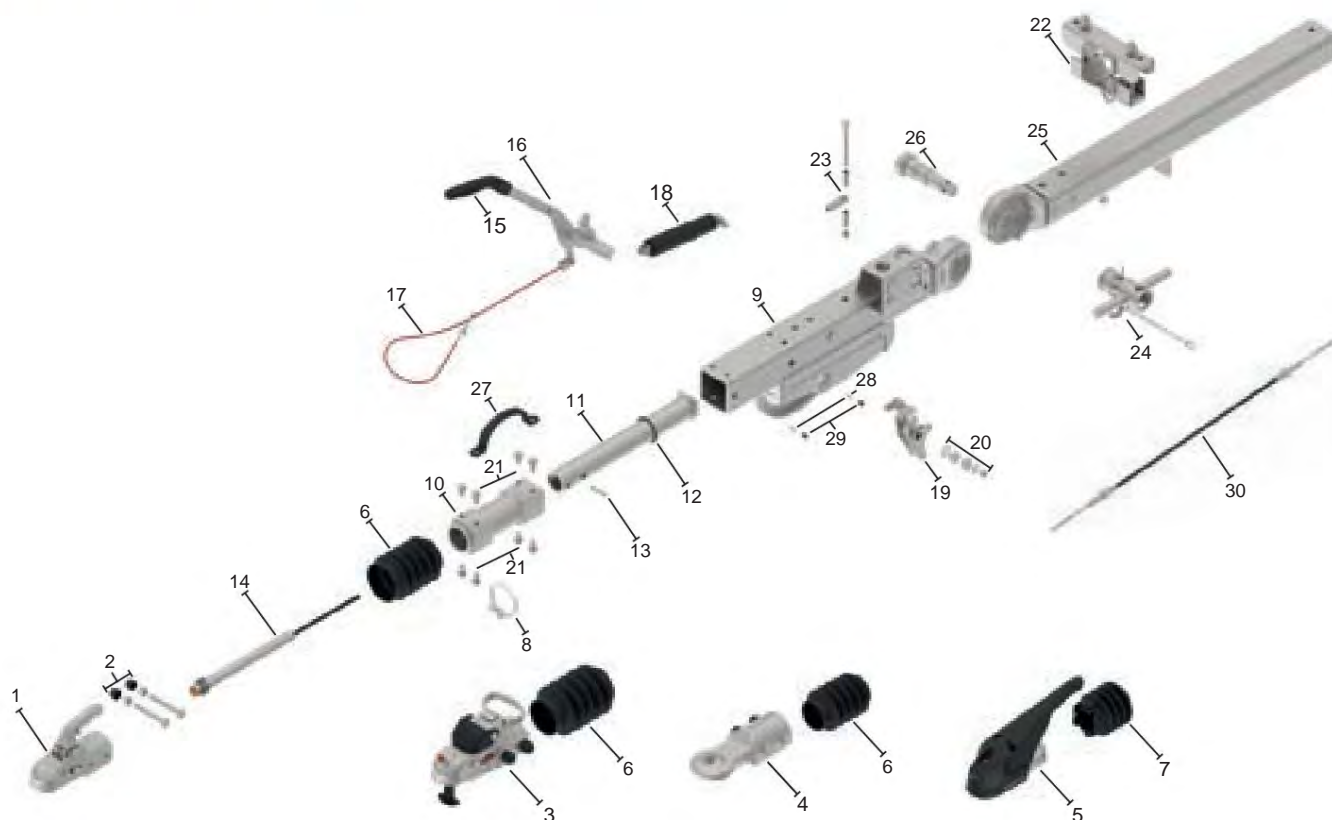
Position			Position		
1	ball coupling	8802559X	16	handbrake levers complete.	98703193
2	Screw set Tow ball coupling	207439.001	17	Breakaway cable	203202.001
3	Ball coupling including screw material	206044.001	18	Spring sleeve	98702694
4	DIN towing eye including screws	98762093	19	translation levers	98795993
5	Anti-sway coupling KS35	210208.001	20	Screw set handbrake lever	208310.001
6	Bellows Pos. 1+3+4	200175.001	21	Screw set for guide bearing	208357.001
7	Bellows Item 5	209351.001	22	Clamping device complete.	98761093
8	cable strap	71000194	23	Screw set shock absorbers	208368.001
9	cases galvanized	upon request	24	conical grease nipples	202164.001
10	guide bearings complete.	201263.001	25	grease nipple caps	69024594
11	Pull rod incl. item 12	203146.001	26	bolts	41020694
12	Stop ring	206596.003			
12	Stop ring	69004394			
13	Threaded pin	D913.010			
14	shock absorbers	87003613			
15		6J1031.006			



Position			Position		
1	ball coupling	8802559X	16	handbrake levers complete.	202682.003
2	Screw set Tow ball coupling	207439.001	17	Breakaway cable	203202.001
3	Ball coupling including screw material	206045.001	18	spring accumulators complete.	202453.001
4	DIN towing eye including screws	98762093	19	translation levers	98795993
5	Anti-sway coupling KS35	210208.001	20	Screw set handbrake lever	208370.001
6	Bellows Pos. 1+3+4	200175.001	21	Screw set for guide bearing	208357.001
7	Bellows Item 5	209351.001	22	Clamping device complete.	98761093
8	cabl strap	71000194	23	Screw set shock absorbers	208368.001
9	cases galvanized	upon request	24	conical grease nipples	202164.001
10	guide bearings complete.	201263.001	25	grease nipple caps	69024594
11	Pull rod incl. item 12	203146.001			
12	Stop ring	206596.003			
12	Stop ring	69004394			
13	Threaded pin	D913.010			
14	shock absorbers	87003613			
15		6J1031.006			



Position			Position			Position		
1	ball coupling	8802559X	16	handbrake levers complete.	201137.002	31	grease nipple cap	69024594
2	Screw set Tow ball coupling	207439.001	17	Breakaway cable	203202.002	32	cable pull ( 1000 / 1370 )	980000.01
3	Ball coupling including screw material	206045.001	18	spring accumulators complete.	202086.001	32	cable pull ( 1100 / 1470 )	980000.02
4	DIN towing eye including screws	98762093	19	translation levers	203687.001	32	cable pull ( 1200 / 1570 )	980000.03
5	Anti-sway coupling KS35	210208.001	20	Screw set handbrake lever	208370.001			
6	Bellows Pos. 1+3+4	200175.001	21	Screw set for guide bearing	208357.001			
7	Bellows Item 5	209351.001	22	Clamping device complete.	98761093			
8	cable strap	71000194	23	Screw set shock absorbers	208368.001			
9	cases galvanized	upon request	24	toggles complete.	98739693			
10	guide bearings complete.	201263.001	25	Drawbar	upon request			
11	Pull rod incl. item 12	203146.001	25	Drawbar	upon request			
12	Stop ring	206596.003	26	"KNOTT"	201244.003			
12	Stop ring	69004394	27	Cover	202168.001			
13	Threaded pin	D913.010	28	bolts	41026094			
14	shock absorbers	87003613	29		4300739302			
15		6J1031.006	30	conical grease nipples	202164.001			



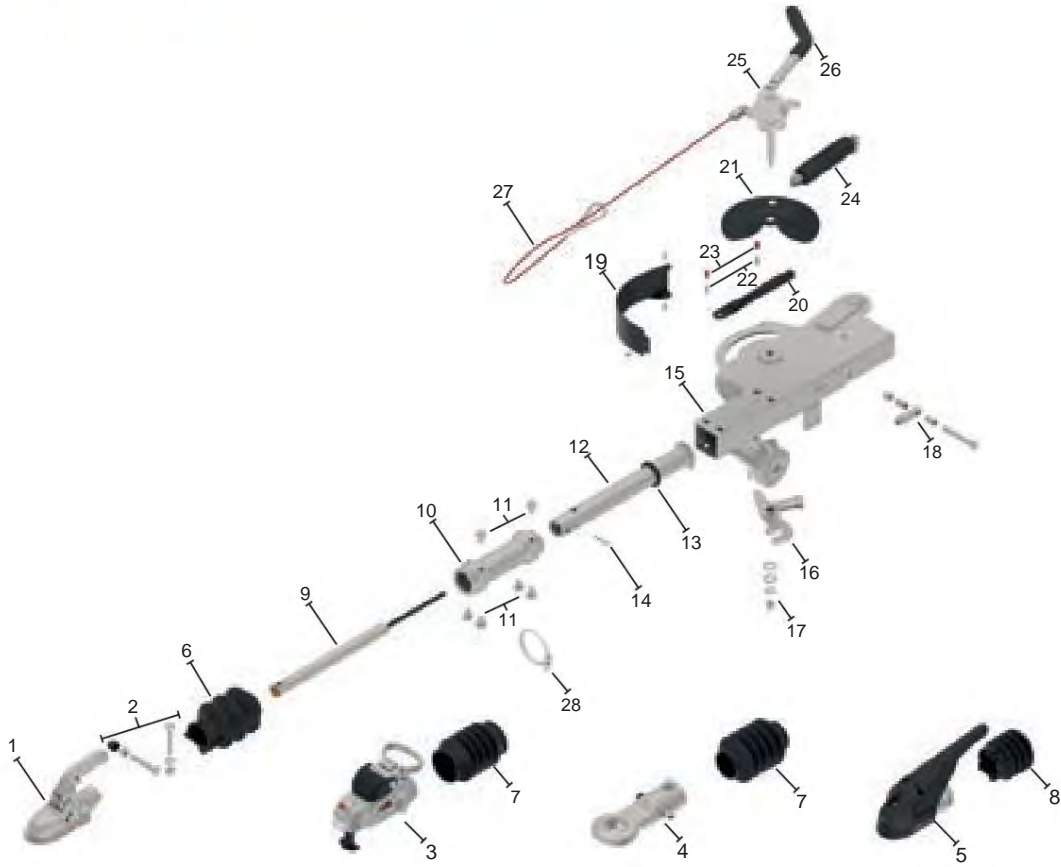
Position			Position		
1	ball coupling	8802559X	16	handbrake levers complete.	202682.003
2	Screw set Tow ball coupling	207439.001	17	Breakaway cable	203202.001
3	Ball coupling including screw material	206045.001	18	spring accumulators complete.	202453.001
4	DIN towing eye including screws	98762093	19	translation levers	203687.001
5	Anti-sway coupling KS35	210208.001	20	Screw set handbrake lever	208370.001
6	Bellows Pos. 1+3+4	200175.001	21	Screw set for guide bearing	208357.001
7	Bellows Item 5	209351.001	22	Clamping device complete.	98761093
8	cabl strap	71000194	23	Screw set shock absorbers	208368.001
9	cases galvanized	upon request	24	toggles complete.	98739693
10	guide bearings complete.	201263.001	25	Drawbar	upon request
11	Pull rod incl. item 12	203146.001	26	bolts	41026094
12	Stop ring	206596.003	27		4300739302
12	Stop ring	69004394	28	conical grease nipples	202164.001
13	Threaded pin	D913.010	29	grease nipple cap	69024594
14	shock absorbers	87003613	30	cabl pull ( 800 / 1170 )	980000.13
15		6J1031.006	30	cabl pull ( 1100 / 1470 )	980000.02



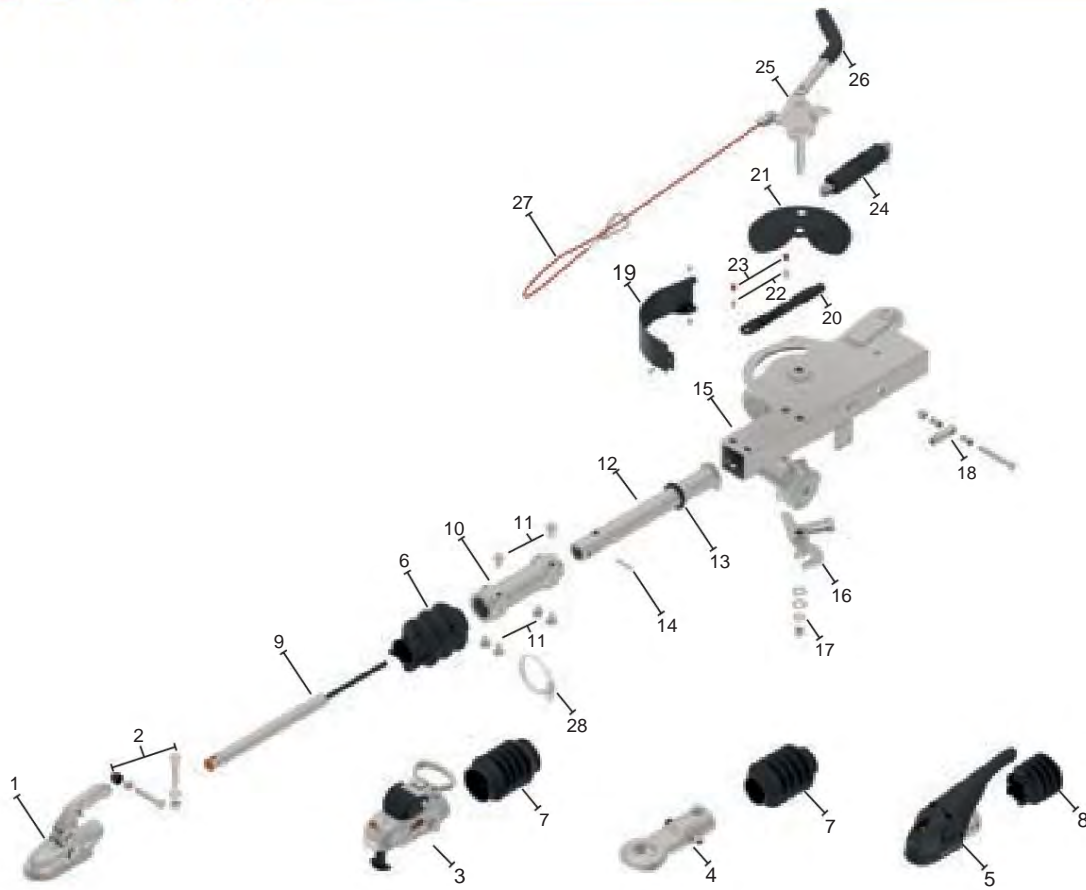
Position		
1		202311.105
1		202311.101
2		980023.01
2		980023.02
2		980023.03
3		41001494
4		98708693
5		98865993
6		9887179354
6		9886659307
7		
8		98885693



Position			Position		
1		202311.005	7		9888239302
1		202311.001	7		9888249302
2		41001494	7		201320.001
3		98865993	7		9888259302
4		98708693	8		98885293
5		9887179354	9		980023.01
5		9887179356	9		980023.02
5		9887179357	9		980023.03
5		9887179358	10		98852793
5		9887189354	11		98708694
5		9887189356	12		41003284
5		9887189357			
5		9887189358			
6					



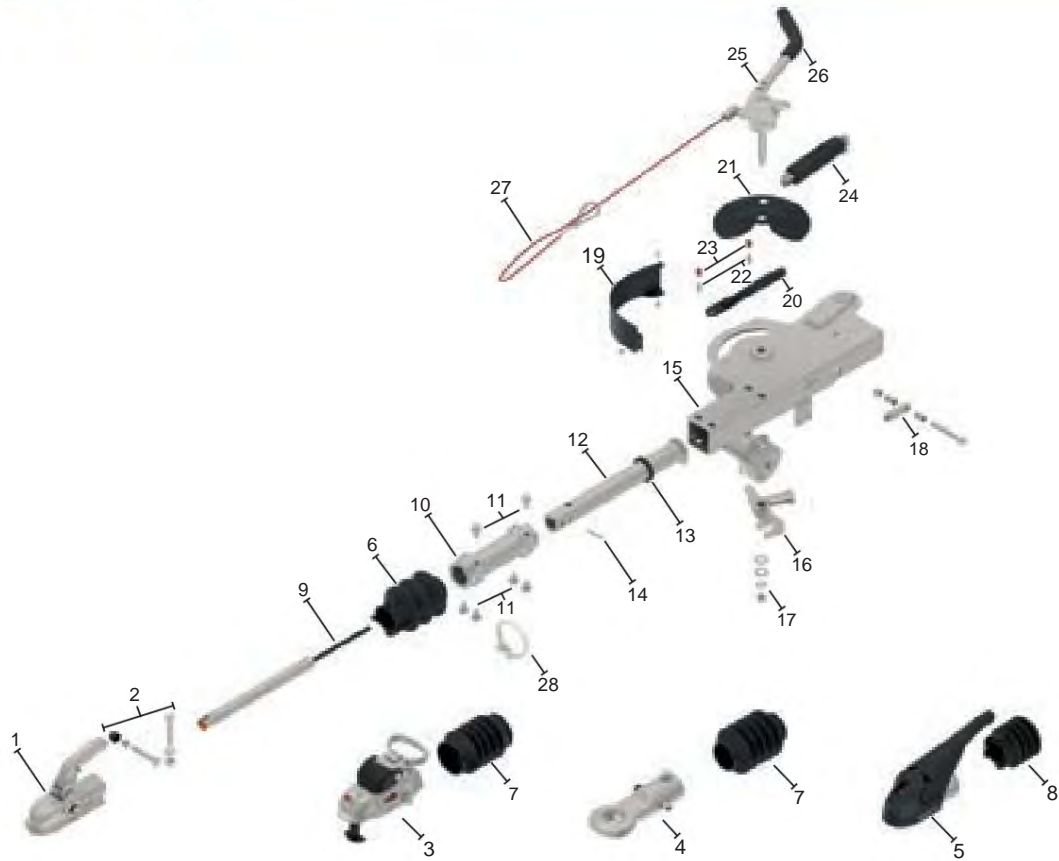
Position		Position		Position	
1	8802429X	14	D6325.006	28	71000194
2	207309.001	15			
3	207437.001	16	205761.001		
4	98761693	17	207447.001		
5	KS30 209954.001	18	206918.001		
6	69004692	19	201244.001		
7	69000393	20			
8	209335.001	21	201243.001		
9	87000713	22	202164.001		
10	200795.002	23	69024594		
11	208372.001	24	201856.001		
12	98103094	25	201939.001		
13	206596.001	26	6J1031.006		
13	69001494	27	203202.001		



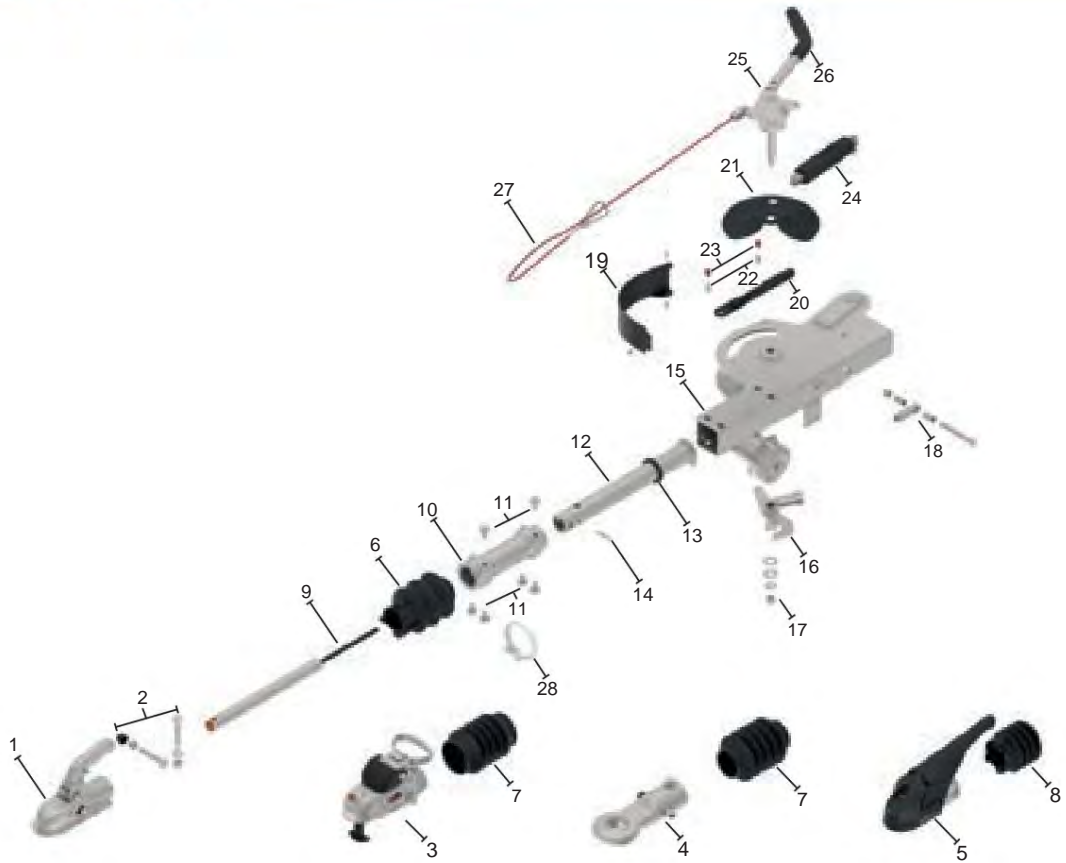
Position			Position			Position		
1		8802429X	14		D6325.006	28		71000194
2		207309.001	15					
3		207437.001	16		205761.001			
4		98761693	17		207447.001			
5	KS30	209954.001	18		206918.001			
6		69004692	19		201244.001			
7		69000393	20					
8		209335.001	21		201243.001			
9		87000313	22		202164.001			
10		200795.002	23		69024594			
11		208372.001	24		201856.001			
12		98103094	25		201939.001			
13		206596.001	26		6J1031.006			
13		69001494	27		203202.001			



Position			Position		
1		202334.005	10		9888239302
1		202334.001	10		9888249302
2		980023.01	10		9888259302
2		980023.02	11		
2		980023.03	12		98884093
3		41001494			
4		98708693			
5		98865993			
6		203318.054			
6		207023.052			
6		207023.054			
7		41003284			
8		98852793			
9		98708694			



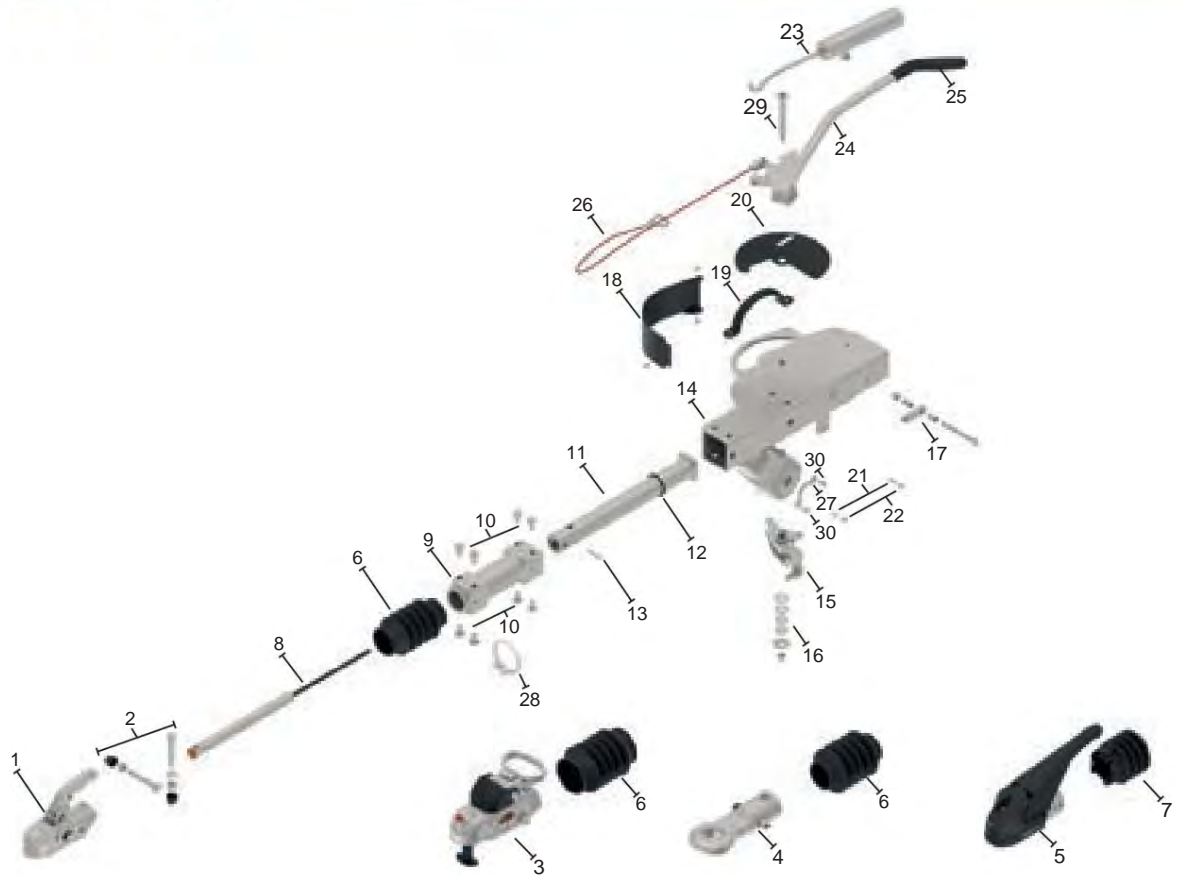
Position		Position		Position	
1	8802399X	14	D6325.006	28	71000194
2	207309.001	15			
3	207437.001	16	205761.001		
4	98761693	17	207447.001		
5	KS30 209954.001	18	206918.001		
6	69004692	19	201244.001		
7	69000393	20			
8	209335.001	21	201243.001		
9	87003113	22	202164.001		
10	200795.002	23	69024594		
11	208372.001	24	201856.001		
12	98962094	25	201939.001		
13	206596.001	26	6J1031.006		
13	69001494	27	203202.002		



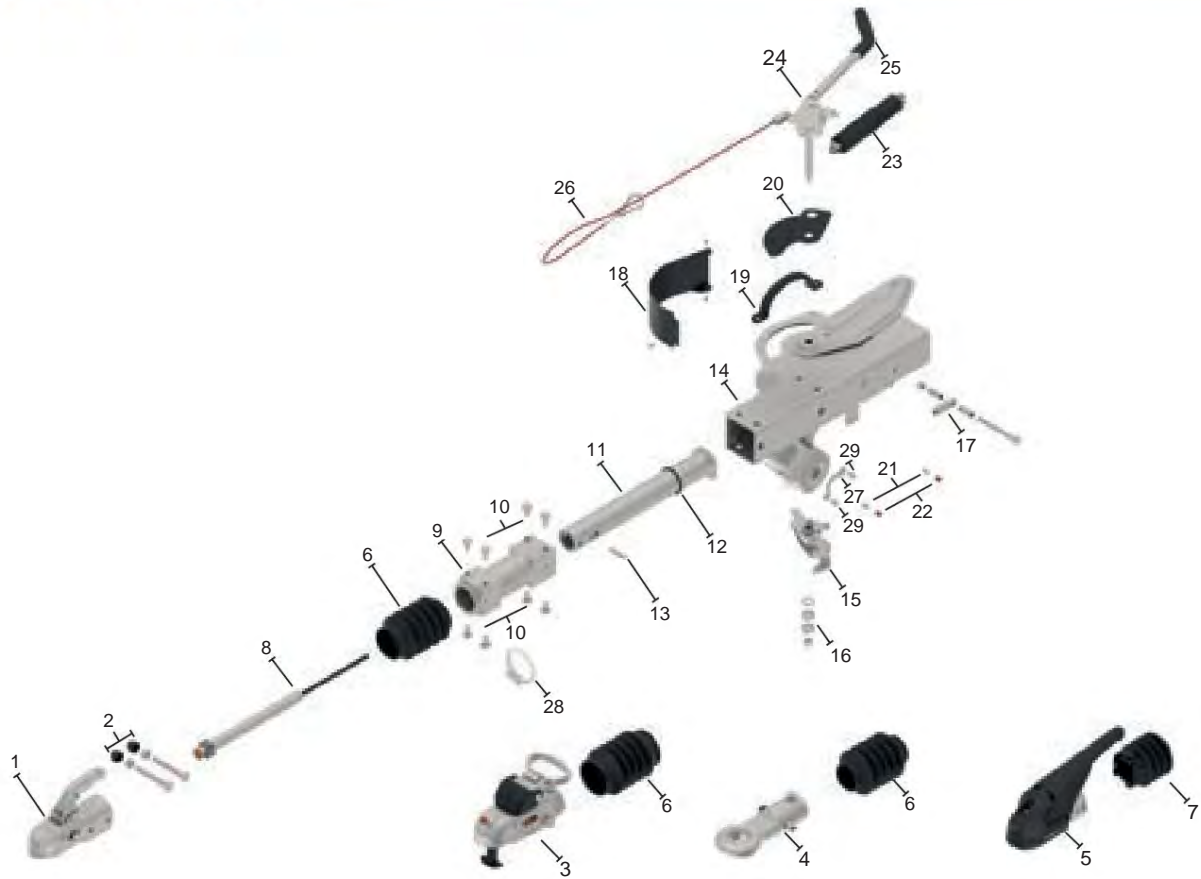
Position			Position			Position		
1		8802399X	14		D6325.006	28		71000194
2		207309.001	15					
3		207437.001	16		205761.001			
4		98761693	17		207447.001			
5	KS30	209954.001	18		206918.001			
6		69004692	19		201244.001			
7		69000393	20					
8		209335.001	21		201243.001			
9		87001113	22		202164.001			
10		200795.002	23		69024594			
11		208372.001	24		201856.001			
12		98103094	25		201939.001			
13		206596.001	26		6J1031.006			
13		69001494	27		203202.002			



Position			Position		
1		201895.006	8		98866393
1		201895.001	9		98708694
1		201895.106	10		9888269302
1		201895.101	10		9888279302
2		980000.01	10		9888289302
2		980000.02	11		
2		980000.03	12		98761093
3		41003284			
4		98708694			
5		98852793			
6		9888209254			
6		9888209256			
6		9888209258			
7		41026094			



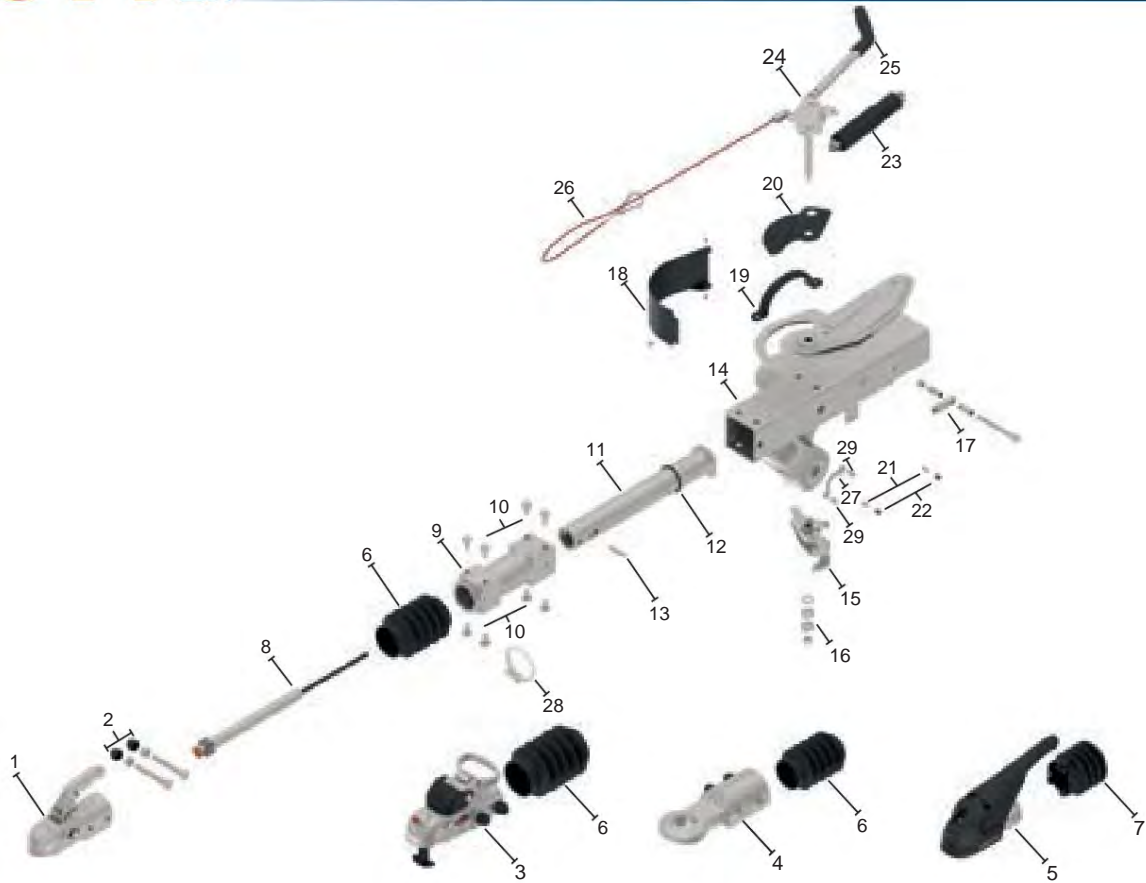
Position		Position		Position	
1	8802539X	13	D6325.008	27	203453.001
2	208352.001	14		28	71000194
3	206799.001	15	203687.002	29	41004694
4	98761993	16	208370.001	30	45872.26
5	KS30 209954.003	17	208368.001		
6	69000393	18	201244.002		
7	209335.001	19	4300739302		
8	87001313	20	202168.001		
8	87001413	21	202164.001		
9	200312.002	22	69024594		
10	208357.001	23	98702694		
11	98596283	24	200334.001		
12	206596.002	25	6J1031.006		
12	69001494	26	203202.002		



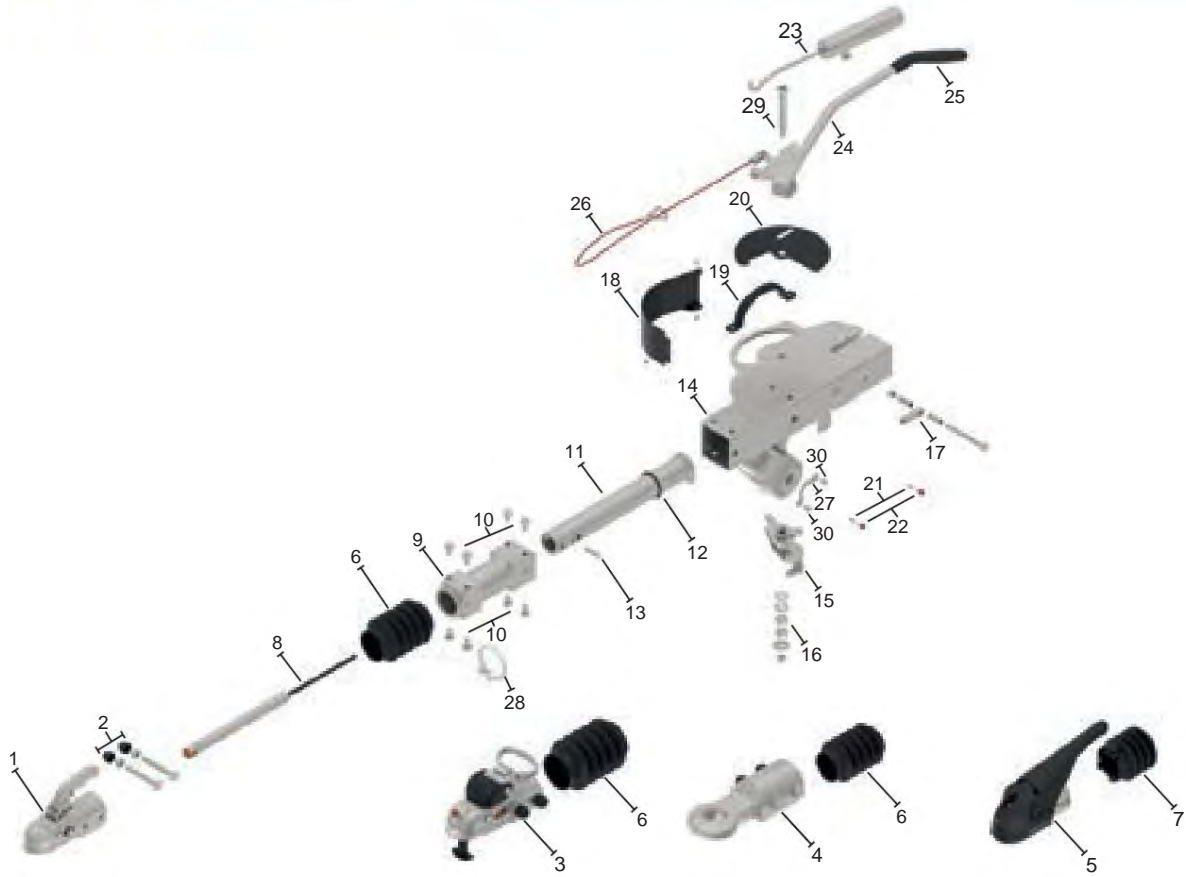
Position			Position			Position		
1		8802539X	13		D6325.008	27		203453.001
2		208352.001	14			28		71000194
3		206799.001	15		203687.002	29		45872.26
4		98761993	16		208370.001			
5	KS30	209954.003	17		208368.001			
6		69000393	18		201244.002			
7		209335.001	19		4300739302			
8		87001313	20		202168.001			
8		87001413	21		202164.001			
9		200312.002	22		69024594			
10		208357.001	23		202086.001			
11		98596283	24		201137.001			
12		206596.002	25		6J1031.006			
12		69001494	26		203202.002			



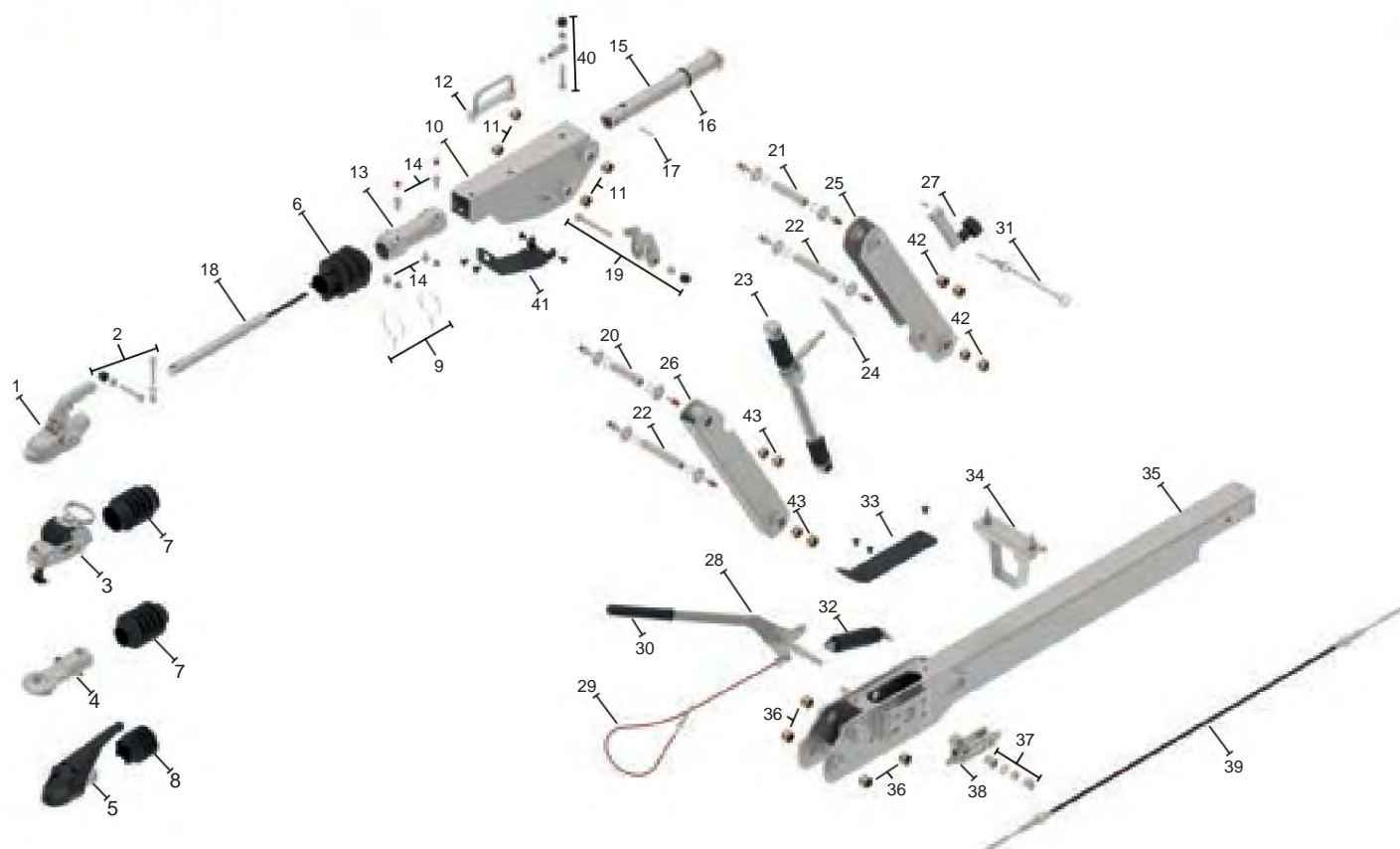
Position			Position		
1		202259.004	10		9888319302
1		202259.001	11		
2		980000.01	12	100x100	98761093
2		980000.02	12	160x90	98794993
2		980000.03			
3		41003284			
4		98708693			
5		98852793			
6		9887659252			
6		98836093			
7		41026094			
8		98866393			
9		98708694			
10		9888299302			



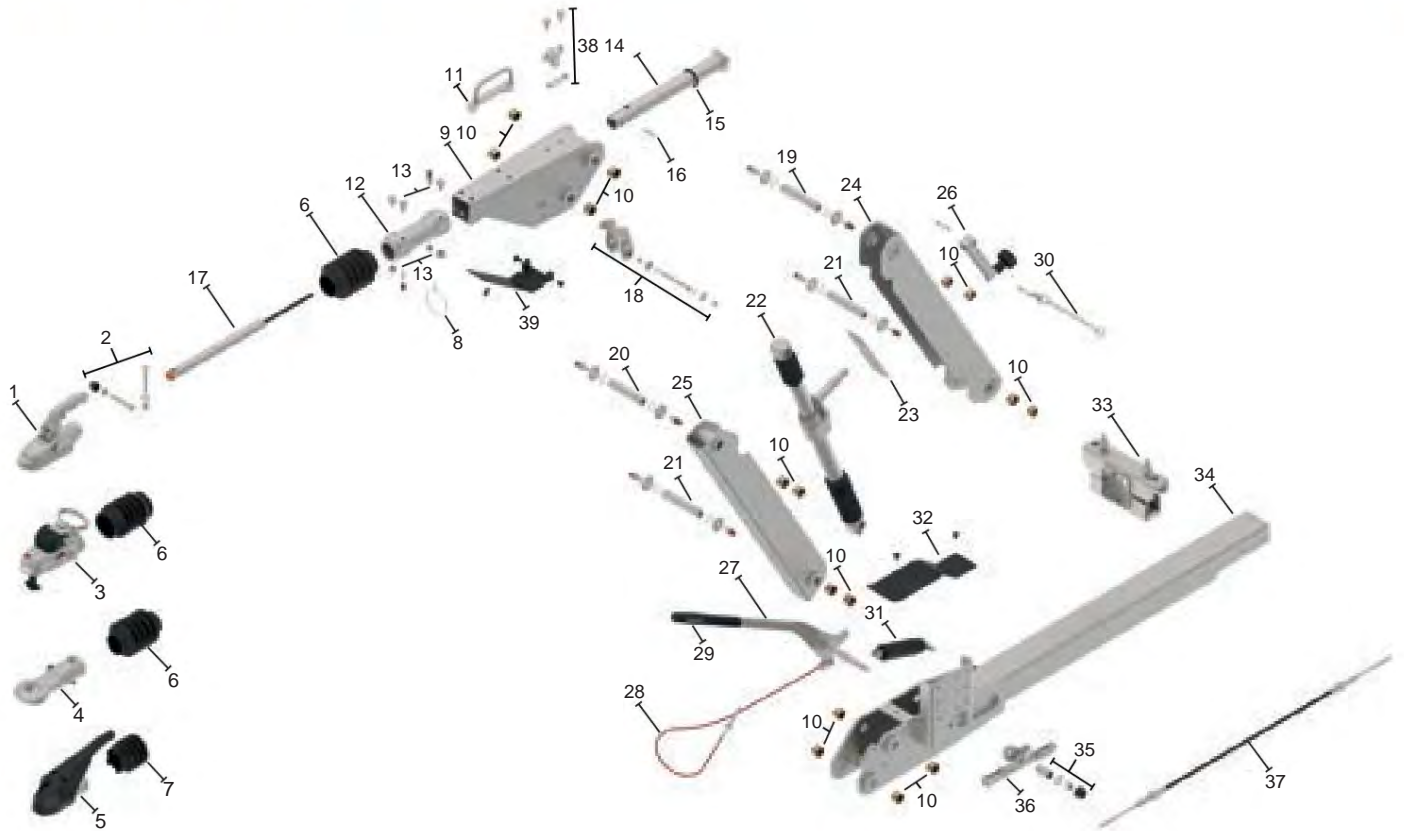
Position		Position		Position	
1	8802559X	13	D913.010	27	203453.001
2	207439.001	14		28	71000194
3	206045.001	15	203687.002	29	45872.26
4	98762093	16	208370.001		
5	KS35 210208.001	17	208368.001		
6	200175.001	18	201244.003		
7	209351.001	19	4300739302		
8	87003513	20	202168.001		
8	87003613	21	202164.001		
9	200452.002	22	69024594		
10	208357.001	23	202086.001		
11	203146.001	24	201137.002		
12	206596.003	25	6J1031.006		
12	69004394	26	203202.002		



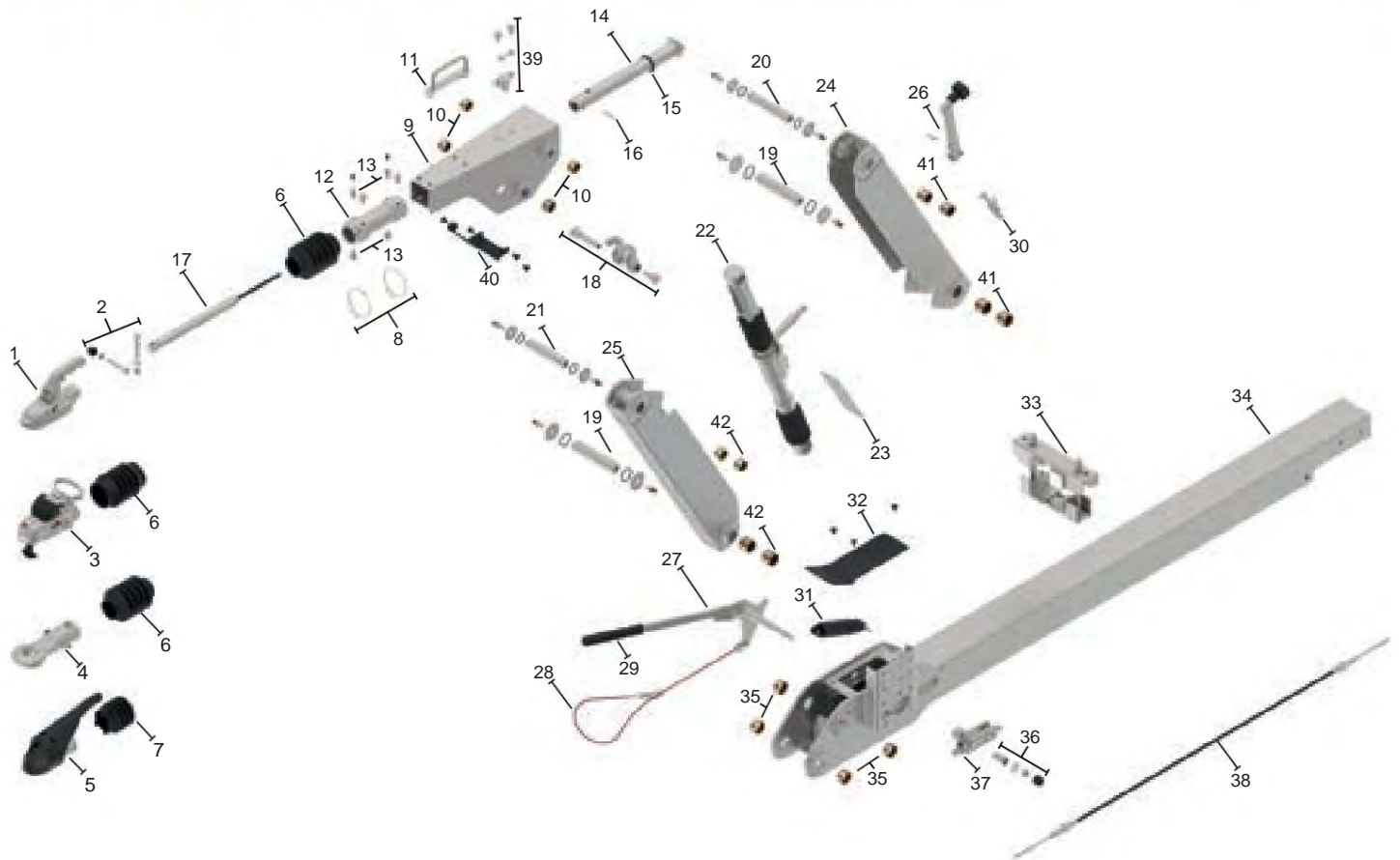
Position		Position		Position	
1	8802559X	13	D913.010	27	203453.001
2	207439.001	14		28	71000194
3	206045.001	15	203687.002	29	41021994
4	98762093	16	208370.001	30	45872.26
5	KS35 210208.001	17	208368.001		
6	200175.001	18	201244.003		
7	209351.001	19	4300739302		
8	87003513	20	201112.001		
8	87003613	21	202164.001		
9	200452.002	22	69024594		
10	208357.001	23	98702694		
11	203146.001	24	200334.002		
12	206596.003	25	6J1031.006		
12	69004394	26	203202.002		



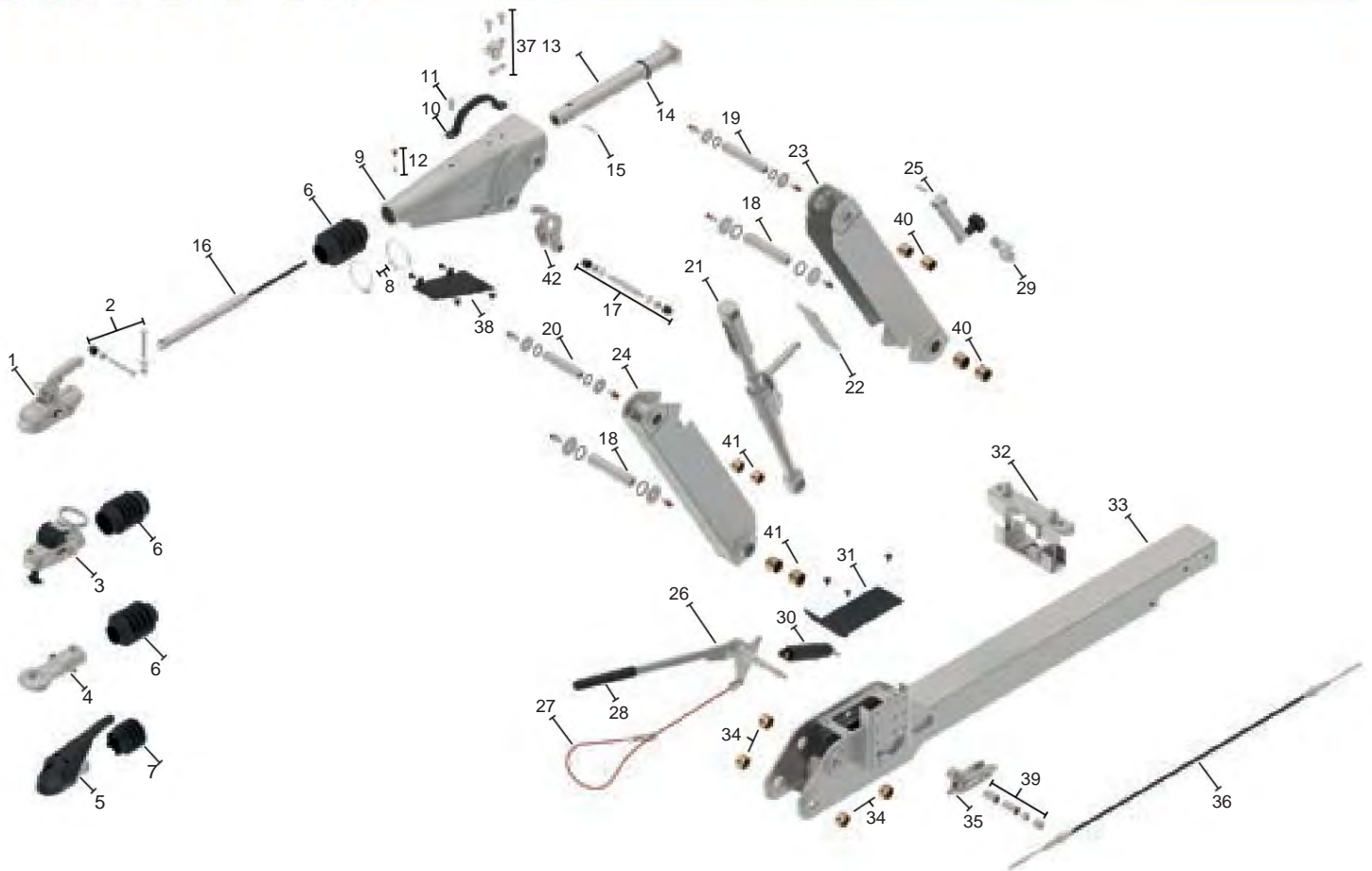
Position		Position		Position	
1	ball coupling	8802429X	16	Stop ring	69001494
2	Screw set Tow ball coupling	207309.001	17	Cylinder pin	D6325.006
3	Ball coupling including screw material	207437.001	18	shock absorbers	87000513
4	DIN towing eye including screws	98761693	19	Translation lever set	210110.001
5	Anti-sway coupling KS30	209954.001	20	Complete bolt set. O	708711.002
6	Bellows for item 1	69004692	21	Complete bolt set. O	708711.001
7	Bellows for positions 3 and 4	69000393	22	Complete bolt set. O	708711.003
8	Bellows for item 5	209335.001	23	Adjustment mechanism complete.	708250.001
9	cable strap	71000194	24	Protective shield	708233.001
10	complete cases.	upon request	25	Intermediate piece complete upper part	708527.001
11	Complete set of bushings for housings. (contains 4 sockets)	707311.001	26	Intermediate piece complete lower part	708529.001
12		707430.002	27	Crank complete.	708715.001
13	Guide bearings	26017893	28	handbrake levers complete.	708545.001
14	Screw set Command camp	210101.001	29	Breakaway cable complete.	203202.004
15	Drawbars incl. item 16	708343.001	30		6J1031.006
16	Stop ring	206596.001	31	spring pins complete.	707289.001
			32	spring accumulators complete.	204387.001
			33	Protective shield mounting kit	708712.001
			34	Clamping device complete.	720430.001
			35	Drawbar complete.	Upon request
			36	Complete set of bushings for drawbar (contains 4 bushings)	707311.004
			37	Handbrake lever mounting kit f. KHD9	210149.001
			38	Translation lever complete. Parking brake	708516.001
			39	cable pull complete.	980155.09
			40	Shock absorber screw set including shock absorber mount	210105.001
			41	Protective shield mounting kit	708713.001
			42	Bushing set for intermediate piece Top part (contains 4 sockets)	707311.002
			43	Bushing set for intermediate piece Lower part (contains 4 sockets)	707311.003



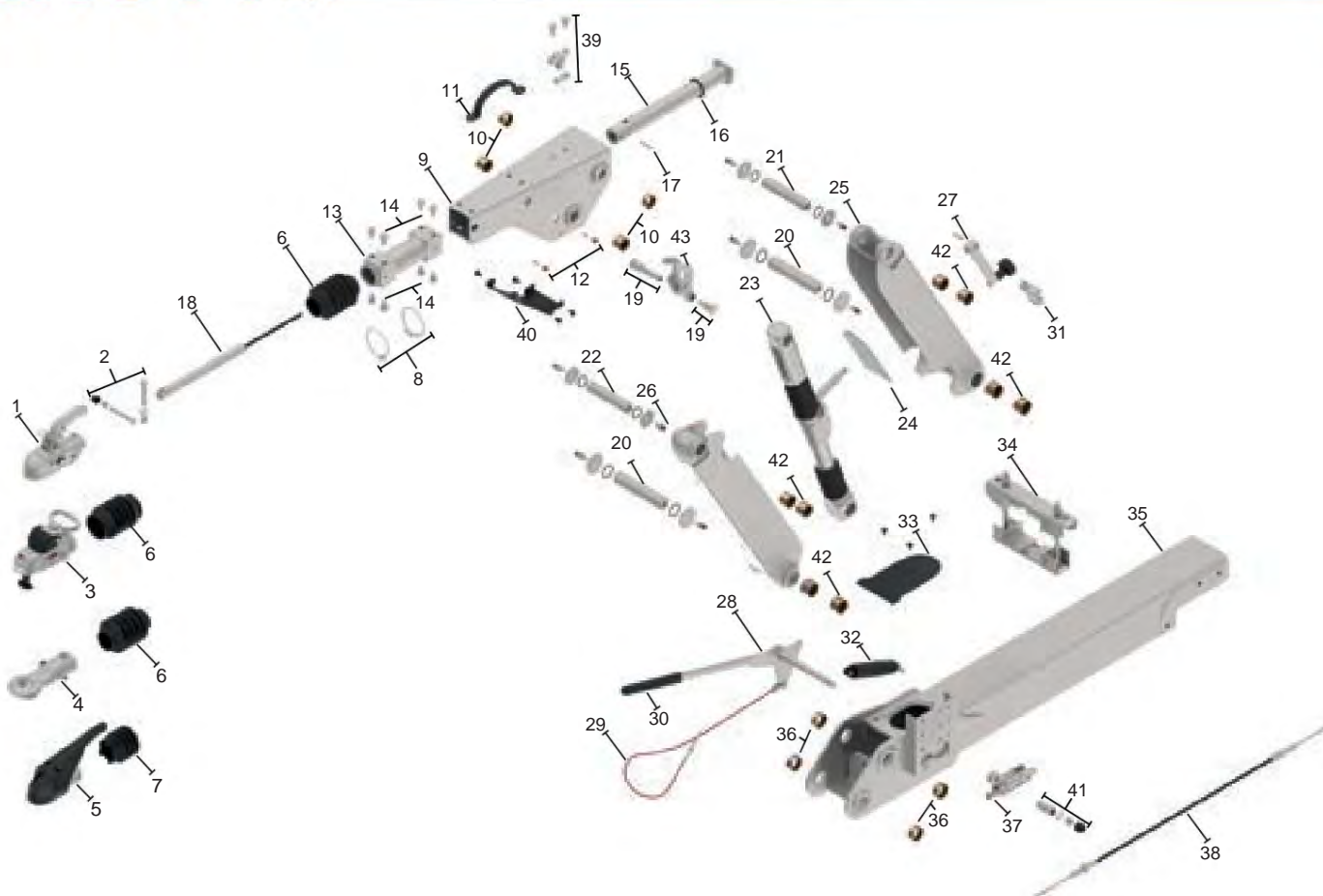
Position			Position			Position		
1	ball coupling	8802399X	17	shock absorbers	87004713	29		6J1031.006
2	Screw set Tow ball coupling	207309.001	18	Translation lever set	210111.001	30	spring pins complete.	707289.001
3	Ball coupling including screw material	207437.001	19	Complete bolt set. Ø	707309.001	31	spring accumulators complete.	204387.001
4	DIN towing eye including screws	98761693	20	Complete bolt set. Ø	707309.002	32	Protective shield mounting kit	707307.001
5	Anti-sway coupling KS30	209954.001	21	Complete bolt Ø	707309.004	33	Clamping device complete. Item number of KHD15 required	Upon request
6	bellows for positions 1, 3, and 4	69000393	22	Adjustment mechanism complete.	707730.001	34	Drawbar complete.	Upon request
7	Bellows for item 5	209335.001	22	Adjustment mechanism complete.	707470.001	35	Handbrake lever mounting kit f. KHD15	210148.001
8	cable strap	71000194	23	Protective shield	707233.001	36	translation levers complete.	707695.001
9	complete cases.	upon request	24	Complete intermediate piece, upper part	707646.001	37	Complete cable pulley system.	980155.05
10	Bushing set for KHD15 (contains 16 sockets)	210437.001	24	Complete intermediate piece, upper part	707106.001	37	Complete cable pulley system.	980155.09
11		707430.001	25	Complete intermediate piece, lower part	707115.001	38	Shock absorber screw set including shock absorber mount	210106.001
12	guide bearings	26017893	25	Complete intermediate piece, lower part	707105.001	39	Protective shield mounting kit	707308.002
13	Screw set Command camp	210102.001	26	Crank complete.	706505.004			
14	Drawbar incl. item 15	707643.001	27	Complete handbrake lever.	707833.001			
15	Stop ring	206596.001	27	Complete handbrake lever.	707933.001			
15	Stop ring	69001494	28	Breakaway cable complete.	203202.004			
16	Cylinder pin	D6325.006	28	Breakaway cable complete.	203202.005			



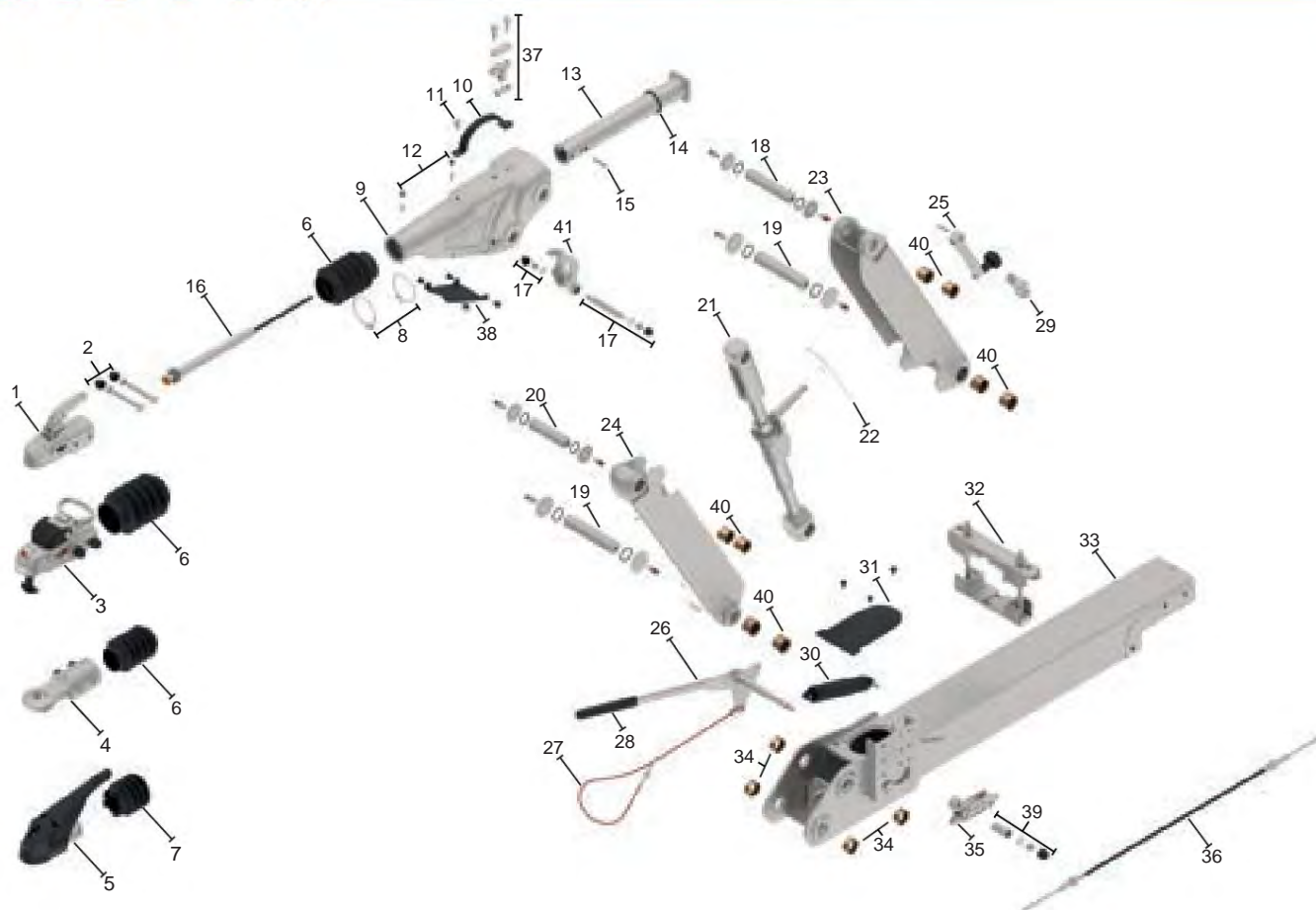
Position			Position			Position		
1	Tow ball coupling Item number of the KHD20 required	9884789301	16	Cylinder pin	D6325.006	32	Protective shield mounting kit	709507.002
2	Screw set Tow ball coupling	207309.001	17	shock absorbers	87001113	33	Clamping device complete. Item number of the KHD20 required	Upon request
3	Ball coupling including screw material	207437.001	18	Translation lever set	210112.001	34	Drawbar complete.	Upon request
4	DIN towing eye including screws	98761693	19	Complete bolt set. O	709134.001	35	Complete set of bushings for drawbar (contains 4 bushings)	709511.001
5	Anti-sway coupling KS30	209954.001	20	Complete bolt set. O	709134.002	36	Handbrake lever mounting kit f. KHD20	210147.001
6	bellows for positions 1, 3, and 4	69000393	21	Complete bolt set. O	709134.003	37	Translation levers complete.	706605.002
7	Bellows for item 5	209335.001	22	Adjustment mechanism complete.	709101.001	38	complete cable pull.	980184.14
8	cable strap	71000194	23	Protective shield	709052.001	39	Shock absorber screw set including shock absorber mount	210107.001
9	complete cases.	upon request	24	Intermediate piece complete upper part	709543.001	40	Protective shield mounting kit	709508.003
10	Complete set of bushings for housings. (contains 4 sockets)	709511.004	25	Intermediate piece complete lower part	709113.001	41	Bushing set for intermediate piece Top part (contains 4 sockets)	709511.002
11		707430.002	26	Crank complete.	706505.005	42	Bushing set for intermediate piece Lower part (contains 4 sockets)	709511.003
12	guide bearings	26017893	27	Handbrake levers complete.	709390.001			
13	Screw set Command camp	210103.001	28	Breakaway cables complete.	203202.005			
14	Drawbar incl. item 15	707643.001	29		6J1031.006			
15	Stop ring	206596.001	30	spring pins complete.	707289.001			
15	Stop ring	69001494	31	spring accumulators complete.	201856.001			



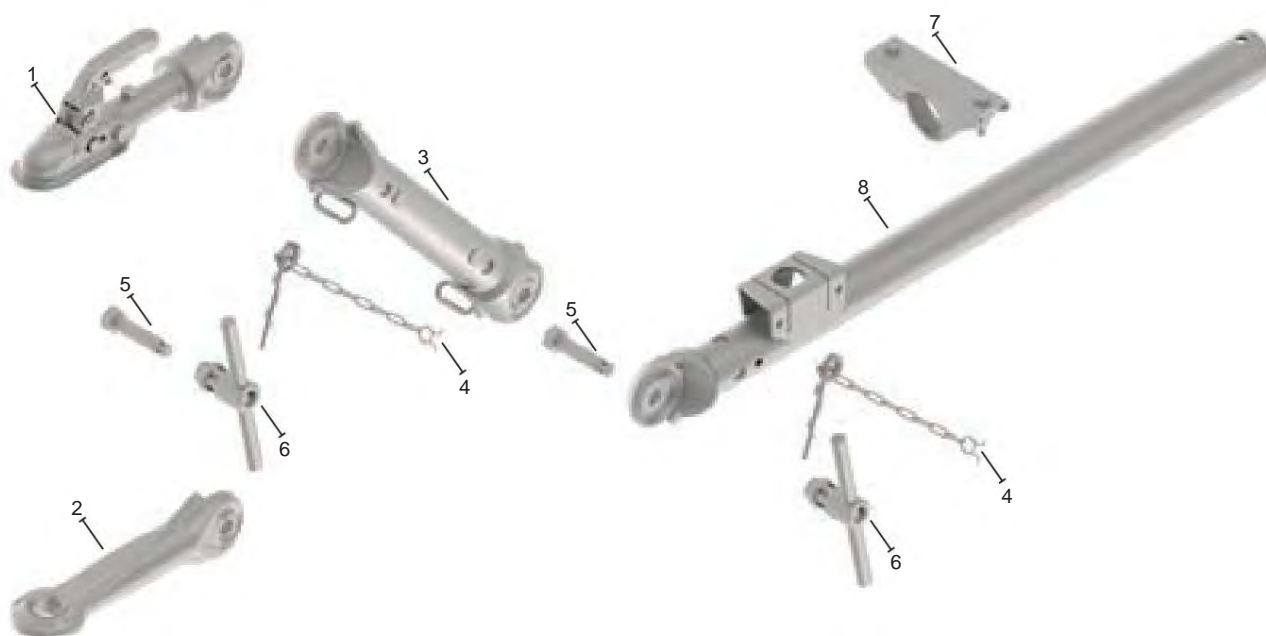
Position			Position			Position		
1	ball coupling	8802409X	16	shock absorbers	87006613	31	Protective shield mounting kit	709507.002
2	Screw set Tow ball coupling	207452.001	17	Screw set Translation lever	210113.001	32	Clamping device complete. Item number of the KHD25 required	Upon request
3	Ball coupling including screw material	207437.001	18	Complete bolt set. Ø	709134.001	33	Drawbar complete.	Upon request
4	DIN towing eye including screws	98949393	18	Complete bolt set. Ø	709134.005	34	Complete set of bushings for drawbar (contains 4 bushings)	709511.001
5	Anti-sway coupling KS30	209954.001	19	Complete bolt set. Ø	709134.002	34	Complete set of bushings for drawbar. (contains 4 sockets)	709511.005
6	bellows for positions 1, 3, and 4	69000393	20	Complete bolt Ø	709134.004	35	Translation levers complete.	706605.002
7	Bellows for item 5	209335.001	21	Adjustment mechanism complete.	709101.001	36	complete cable pull.	980184.14
8	cable strap	71000194	22	Protective shield	709052.001	37	Shock absorber screw set including shock absorber mount	210108.001
9	complete cases.	upon request	23	Intermediate piece complete upper part	709112.001	38	Protective shield mounting kit	709508.002
10		4300739302	24	Intermediate piece complete lower part	709113.001	39	Handbrake lever mounting kit f. KHD25	210147.001
11	locking screw	98704494	25	Crank complete.	706505.005	40	Bushing set for intermediate piece Top part (contains 4 sockets)	709511.002
12	conical grease nipples complete.	706503.001	26	Handbrake levers complete.	709390.001	41	Bushing set for intermediate piece Lower part (contains 4 sockets)	709511.003
13	Drawbar incl. Pos 14	709156.001	27	Breakaway cable complete.	203202.005	42	Translation lever complete.	706692.001
14	Stop ring	206596.002	28		6J1031.006	42	Translation lever complete.	706692.002
14	Stop ring	69001494	29	spring pins complete.	707289.001	42	Translation lever complete.	706692.003
15	Cylinder pin	D6325.008	30	spring accumulators complete.	201856.001			



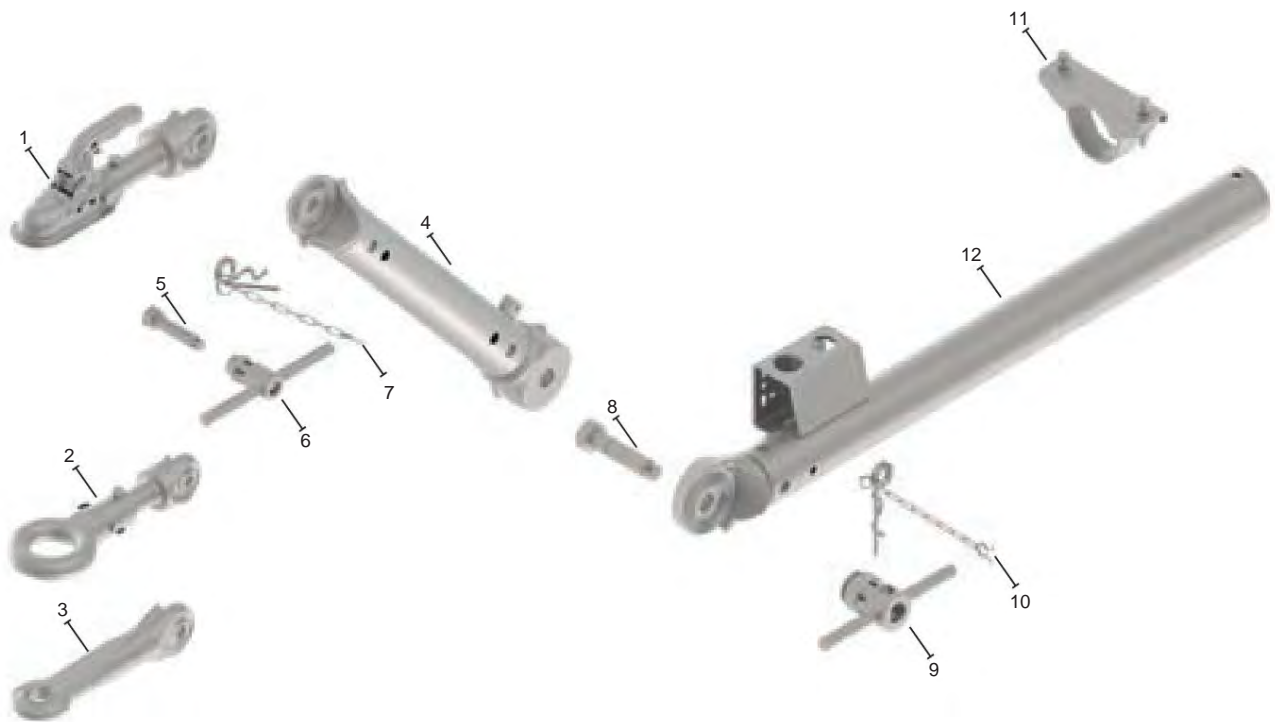
Position		Position		Position	
1	ball coupling	8802409X	16	Stop ring	69001494
2	Screw set Tow ball coupling	207452.001	17	Cylinder pin	D6325.008
3	Ball coupling including screw material	207437.001	18	shock absorbers	87006613
4	DIN towing eye including screws	98949393	19	Screw set Translation lever	210114.001
5	Anti-sway coupling KS30	209954.001	20	Complete bolt set. Ø	706154.001
6	bellows for positions 1, 3, and 4	69000393	21	Complete bolt set. Ø	706154.002
7	Bellows for item 5	209335.001	22	Complete bolt Ø	706154.003
8	cable strap	71000194	23	Adjustment mechanism complete.	706524.002
9	complete cases.	upon request	24	Protective shield	706280.001
10	Complete set of bushings for housings. (contains 4 sockets)	706511.004	25	Intermediate piece complete upper part	706310.001
11		4300739302	26	Intermediate piece complete lower part	706311.001
12	conical grease nipples complete.	706503.001	27	Crank complete.	706505.005
13	Guide bearings	200312.002	28	Complete handbrake lever.	706889.001
14	Screw set Command camp	210104.001	28	Complete handbrake lever.	706923.001
15	Drawbars incl. item 16	709156.001	29	Breakaway cable complete.	203202.005
16	Stop ring	206596.002	30		6J1031.006
			31	spring pins complete.	707289.001
			32	spring accumulators complete.	201856.001
			33	Protective shield mounting kit	706507.001
			34	Clamping device complete. Item number of KHD27 required	Upon request
			35	Drawbar complete.	Upon request
			36	Complete set of bushings for drawbar (contains 4 bushings)	706511.001
			37	Translation lever complete. Parking brake	706605.002
			38	complete cable pull.	980184.14
			39	Shock absorber screw set including shock absorber bracket	210108.001
			40	Protective shield mounting kit	706508.002
			41	Handbrake lever mounting kit for KHD27	210146.001
			42	Bushing set for intermediate piece Top part (contains 4 sockets)	706511.002
			42	Bushing set for intermediate piece Lower part (contains 4 bushings)	706511.002
			43	Translation lever complete.	706692.001
			43	Translation lever complete.	706692.002
			43	Translation lever complete.	706692.003



Position			Position			Position		
1	ball coupling	8802559X	16	shock absorbers	87003613	30	spring accumulators complete.	202086.001
2	Screw set Tow ball coupling	207309.001	17	Screw set Translation lever	210115.001	31	Protective shield mounting kit	706507.001
3	Ball coupling including screw material	206045.001	18	Complete bolt set. O	706154.002	32	Clamping device complete. Item number of the KHD35 required	Upon request
4	DIN towing eye including screws	98762093	19	Complete bolt set. O	706154.001	33	Drawbar complete.	Upon request
5	Anti-sway coupling KS35	210208.001	19	Bolts, fully reinforced version O	706154.005	34	Complete set of bushings for drawbar (contains 4 bushings)	706511.001
6	bellows for positions 1, 3, and 4	200175.001	20	Complete bolt Ø	706154.004	34	Complete set of bushings for drawbar. (contains 4 sockets)	706511.005
7	Bellows for item 5	209351.001	21	Adjustment mechanism complete.	706524.002	35	Translation lever complete. Parking brake	706605.002
8	cable strap	71000194	22	Protective shield	706280.001	36	complete cable pull.	980184.14
9	complete cases.	upon request	23	Intermediate piece complete upper part	706310.001	37	Shock absorber screw set including shock absorber mount	210109.001
10		4300739302	24	Intermediate piece complete lower part	706311.001	38	Protective shield mounting kit	706508.003
11	locking screw M12x20	45872.16	25	Crank complete.	706505.005	39	Handbrake lever mounting kit f. KHD35	210146.001
12	conical grease nipples complete.	706503.001	26	Complete handbrake lever.	706889.001	40	Bushing set for intermediate piece Top part (contains 4 sockets)	706511.002
13	Drawbar incl. Pos 14	706830.001	26	Complete handbrake lever.	706923.001	40	Bushing set for intermediate piece Lower part (contains 4 bushings)	706511.002
14	Stop ring	206596.003	27	Breakaway cable complete.	203202.005	41	Translation lever complete.	706692.001
14	Stop ring	69004394	28		6J1031.006	41	Translation lever complete.	706692.002
15	Threaded pin	D914.008	29	spring pins complete.	707289.001	41	Translation lever complete.	706692.003



Position		
1	Front part complete.	9896099301
2	towing eyelets	26005494
3	Intermediate piece	9886659354
4	spring pin	98708693
5	bolts	41001494
6	Gag	98865993
7	Clamping device complete.	98885293
8	Drawbar speed.	upon request



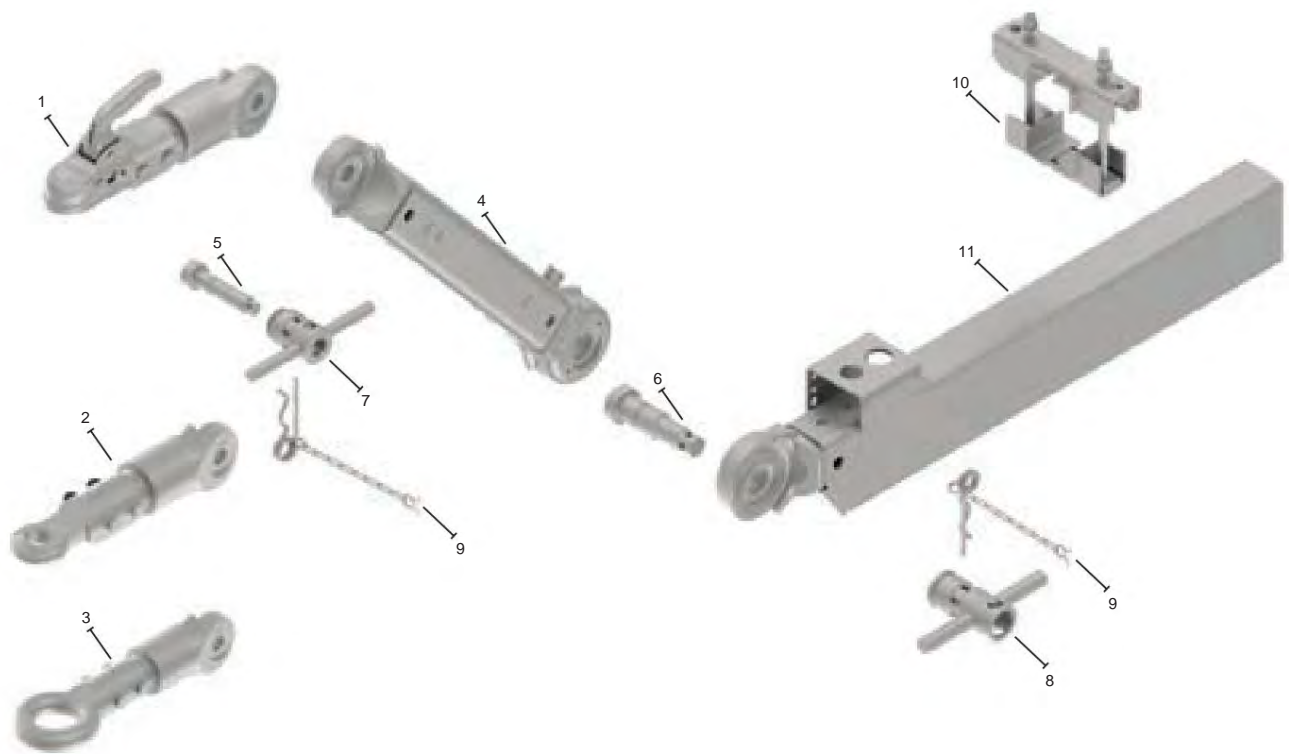
Position		
1	Front part complete.	9896099301
2	Front part	9896099303
3	towing eye	26005494
4	Intermediate piece	9887189357
5	bolts	41001494
6	Gag	98865993
7	spring pin	98708693
8	bolts	41003284
9	Gag	98852793
10	spring pin	98708694
11	Clamping device complete.	98885293
12	Drawbar speed.	upon request



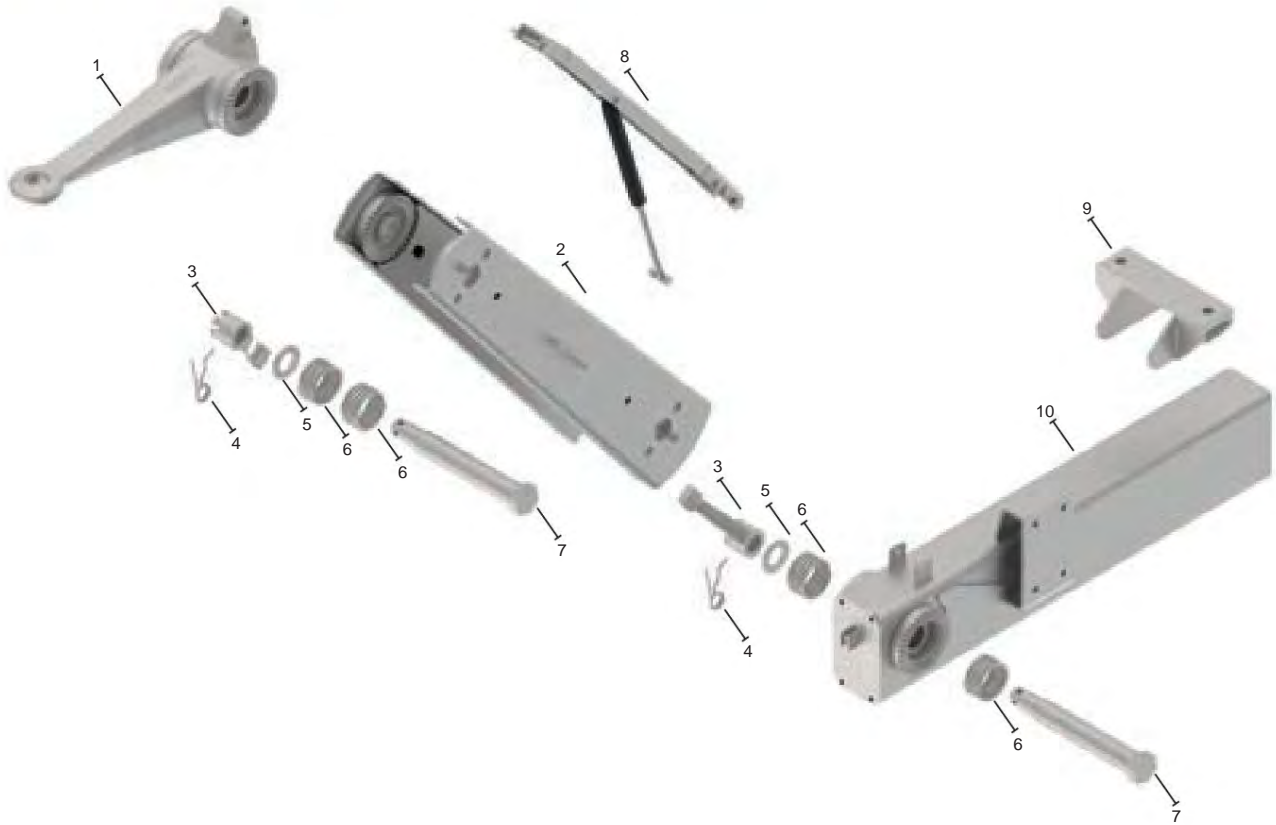
Position		
1	Front part complete.	202986.005
2	Front part	202986.003
3	Front part	202986.004
4	Intermediate piece	203239.054
5	bolts	41003284
6	Gag	98852793
7	spring pin	98708694
8	clamping device complete.	98884093
9	Drawbar speed.	upon request



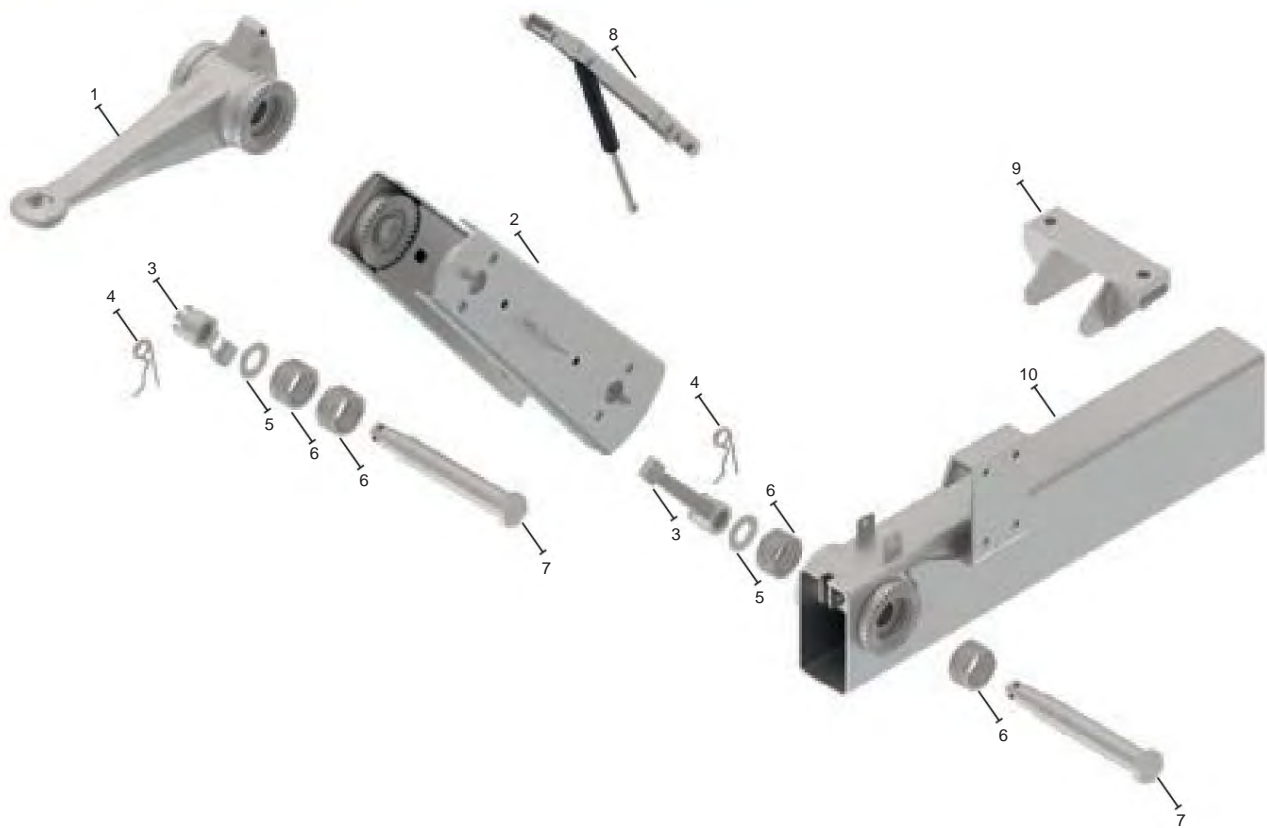
Position		
1	Front part complete.	203380.001
2	Towing eye	98762393
3	Towing eye	98948993
4	Intermediate piece	9888209254
5	bolts	41003284
6	bolts	41026094
7	Gag	98852793
8	Gag	98866393
9	spring pin	98708694
10	clamping device complete.	98761093
11	Drawbar speed	upon request



Position		
1	Front part complete.	203380.001
2	Front part complete.	203380.002
3	Front part complete.	203380.003
4	Intermediate piece	98836093
5	bolts	41003284
6	bolts	41026094
7	Gag	98852793
8	Gag	98866393
9	spring pin	98708694
10	clamping device complete.	98794993
11	Drawbar speed	upon request



Position		
1	Towing eye speed	204627.001
2	Intermediate piece	203487.001
3	Gag	203937.001
4	spring pin	98708694
5	disc	D125.016
6	compression spring	203799.001
7	bolts	203490.001
8	Lifting device complete.	203612.001
9		203501.001
10	Drawbar speed	upon request



Position		
1	Towing eye speed	204627.001
2	Intermediate piece, speed.	203916.001
3	Gag	203937.001
4	spring pin	98708694
5	disc	D125.016
6	compression spring	203799.001
7	bolts	203490.001
8	Lifting device complete.	203924.004
9		203501.001
10	Drawbar speed	upon request

**Technical Information**

**⚠ ATTENTION:** Please read the technical information carefully before using any spare part from this catalog. This information must be strictly observed whenever using a KNOTT spare part, especially during repair or installation work. KNOTT is not liable for damages resulting from failure to observe this information. We expressly point out that repair, installation, or repair work on KNOTT brake systems and their spare parts may only be carried out by specially trained personnel.

**⚠ WARNING:** Repair, installation, or repair work on KNOTT brake systems and their spare parts may only be carried out by specially trained personnel, as such work can lead to serious personal injury or damage to health if performed by other persons, e.g., by ordinary automotive repair shops. The risk of serious personal injury or damage to health also exists, in particular, for the person performing the work.

In the "KH" version, the locking screw for the handbrake lever must be installed before disassembling the brake linkage; otherwise, there is a risk of injury.

Tighten the flange nut to **280 Nm**, see inside of cap. Use flange nuts only once!

Only in the case of an over-twisted weld seam at the pull rod can be used with a stop ring and a metallic support ring.

Guide bearing with integrated joining lug

Guide bearing with locking pin








**Technical Information**

Check free space

With a stabilizing ball coupling, the

be disposed of (see page 178)

Tightening torques of screw connections note (see page 179)

Determination of the bolt circle: 5 x 112  
Number of screws x bolt circle diameter

Pitch circle

Measure the piston diameter of the wheel cylinder

Self-locking nuts only once use!








Please refer to the technical information. Subject to change without notice.

**Typology of KNOTT components:  
Wheel brake / axle**



**Radbremse**

KNOTT GmbH  
Typ 20-0425/1  
EG-Prod-Nr: 961-191-01  
EEL-Prod-Nr: 961-006-14  
Über 25km/h T50kg / 800 kg

**Achse**

KNOTT GmbH Bremsen-Achsen 0-8101 Eggenfert  
Tel: 068134-27222  
AE-Nr:  
Anschlus: 1350 kg über 25 km/h

**Typology of KNOTT components:**



**Auffaufeinrichtung mit Zugeinrichtung**

KNOTT GmbH  
Anschlus-Nr: 001  
Anschlus-Nr: 001-001-02  
Anschlus-Nr: 001-001-03  
Anschlus-Nr: 001-001-04  
Anschlus-Nr: 001-001-05  
Anschlus-Nr: 001-001-06  
Anschlus-Nr: 001-001-07  
Anschlus-Nr: 001-001-08  
Anschlus-Nr: 001-001-09  
Anschlus-Nr: 001-001-10

**Zugholm (dreifach Zugholm)**

KNOTT GmbH  
Typ 2427  
Anschlus-Nr: 001  
Anschlus-Nr: 001-001-01  
Anschlus-Nr: 001-001-02  
Anschlus-Nr: 001-001-03  
Anschlus-Nr: 001-001-04  
Anschlus-Nr: 001-001-05  
Anschlus-Nr: 001-001-06  
Anschlus-Nr: 001-001-07  
Anschlus-Nr: 001-001-08  
Anschlus-Nr: 001-001-09  
Anschlus-Nr: 001-001-10

**Zugkugelkupplung (Angaben auf Griff oder Gehäuse)**

KNOTT GmbH  
Typ 427, Aufl. 4  
Anschlus-Nr: 001-001-01  
Anschlus-Nr: 001-001-02  
Anschlus-Nr: 001-001-03  
Anschlus-Nr: 001-001-04  
Anschlus-Nr: 001-001-05  
Anschlus-Nr: 001-001-06  
Anschlus-Nr: 001-001-07  
Anschlus-Nr: 001-001-08  
Anschlus-Nr: 001-001-09  
Anschlus-Nr: 001-001-10

**Zugöse**

KNOTT GmbH  
Typ 26 0086 01  
Anschlus-Nr: 001-001-01  
Anschlus-Nr: 001-001-02  
Anschlus-Nr: 001-001-03  
Anschlus-Nr: 001-001-04  
Anschlus-Nr: 001-001-05  
Anschlus-Nr: 001-001-06  
Anschlus-Nr: 001-001-07  
Anschlus-Nr: 001-001-08  
Anschlus-Nr: 001-001-09  
Anschlus-Nr: 001-001-10

Please refer to the technical information. Subject to change without notice.

### IMPORTANT NOTE



The disposal must



Please refer to the technical information. Subject to change without notice.

### Technical Information Tightening Torques



Zugstangen- durchmesser DRAWBAR DIAMETER	Gewichts- bereich bis: WEIGHT RANGE	Schraube SCREW	Qualität QUALITY	Zugkugelpkupplung BALL COUPLING		Zugöse EYELET	Zugöse Schaft geschlitzt EYELET SHAFT SLOTTED		Zugöse EYELET Type: GRD
				Blech SHEET	Guss MOLDING		horizontale Schraube HORIZONTAL SCREW	vertikale Schraube VERTICAL SCREW	
Ø35,5x5,2	900kg	M12	8.8	60 -5 Nm	/	/	/	/	
Ø45x5	1400kg	M12	8.8	60 -5 Nm	/	/	/	/	
			10.9	/	/	95 -5 Nm	95 -5 Nm	65 -5 Nm	
Ø45x7 / Ø45x6 (S460)	2000kg	M12	10.9	77 -5 Nm	/	95 -5 Nm	95 -5 Nm	77 -5 Nm	
Ø50x6	2000kg	M12	10.9	77 -5 Nm	/	95 -5 Nm	95 -5 Nm	77 -5 Nm	
Ø50x8 / Ø50x6,5 (S460)	2700kg	M14	10.9	/	115 -10 Nm	115 -10 Nm	115 -10 Nm	115 -10 Nm	
Ø50x10 / Ø50x8 (S460)	3000kg	M12	10.9	/	115 -10 Nm	115 -10 Nm	115 -10 Nm	115 -10 Nm	
		M14	10.9	/	125 -10 Nm	125 -10 Nm	125 -10 Nm	125 -10 Nm	
Ø50x10 (S460)	3500kg	M14	10.9	/	125 -10 Nm	125 -10 Nm	125 -10 Nm	125 -10 Nm	
Ø60x8	3500kg	M14	10.9	/	125 -10 Nm	140 -10 Nm	125 -10 Nm	125 -10 Nm	180 ±5 Nm

Please refer to the technical information. Subject to change without notice.

## Technical Information Tightening Torques



Knebel der höhenverstellbaren Aufbaueinrichtungen CLAMP HANDLE OF THE HEIGHT ADJUSTABLE OVERLOADING DEVICE			
Bolzen und Spannmutter BOLT AND CLAMPING NUT	Ma. [Nm]	L. [mm]	F [kg]
M 16x1,5	150	1000	15
M 20x1,5	250	1000	25
M 28x1,5	400	1000	40
M 36x1,5	650	1000	65



Sicherungschrauben (z.B. Verbot Key) LOCKWASHER SCREWS		
Schraube SCREW	Qualität QUALITY	MA. [Nm]
M 10	100 (10 B)	80-8
M 12	100 (10 B)	120-8



Sechskantschraube mit Schmierlippe HEXAGON BOLT WITH GREASE FITTING		
Schraube SCREW	Qualität QUALITY	MA. [Nm]
M 12	8.8	50







Kreuzschrauben mit verschraubtem Nagelgewinde nach DIN 913, DIN 914 nach DIN EN ISO 10241-4:2017 CROSS BOLTS WITH SCREWED NAIL THREAD		
Schraube SCREW	Qualität QUALITY	MA. [Nm]
M 8	8.8	27
M 10	8.8	40
M 12	8.8	77
M 12	10.9	110-80
M 14	8.8	120
M 14	10.9	180
M 16	8.8	190
M 16	10.9	280
M 20	8.8	300
M 20	10.9	500

Please refer to the technical information. Subject to change without notice.

Image	Designation	Wheel connection	storage	execution	Weight kg	Order-number
	Brake hub Ø160 including storage	100x4/M12x1.5	Double-row angular contact ball bearing Ø64mm	standard	5.35	409697B002
	Brake hub Ø160 including storage	112x5/M12x1.5	Double-row angular contact ball bearing Ø64mm	standard	5.30	409697C002
	Brake hub Ø160 including storage	100x4/M12x1.5	Double-row angular contact ball bearing Ø64mm	waterproof	5.35	400460B002
	Brake hub Ø160 including storage	112x5/M12x1.5	Double-row angular contact ball bearing Ø64mm	waterproof	5.30	400460C002
	Brake hub Ø160 without storage	100x4/M12x1.5	Tapered roller bearings Ø47mm / Ø62mm	standard	4.58	23851B02
	Brake hub Ø200 including storage	100x4/M12x1.5	Double-row angular contact ball bearing Ø64mm	standard	6.80	415184B002
	Brake hub Ø200 including storage	112x5/M12x1.5	Double-row angular contact ball bearing Ø64mm	standard	6.80	415184C002
	Brake hub Ø200 including storage	100x4/M12x1.5	Double-row angular contact ball bearing Ø64mm	standard	6.53	26980B02
	Brake hub Ø200 incl. bearing	112x5/M12x1.5	Double-row angular contact ball bearing Ø64mm	standard	6.50	26980C02
	brake hub Ø200 incl. bearing	100x4/M12x1.5	Double-row angular contact ball bearing Ø64mm	waterproof	6.80	401463B002
	brake hub Ø200 including storage	112x5/M12x1.5	Double-row angular contact ball bearing Ø64mm	waterproof	6.35	401463C002


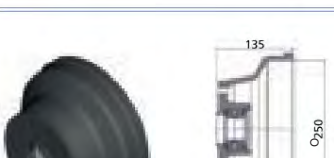
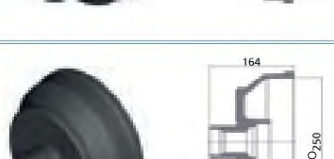

Please refer to the technical information. Subject to change without notice.

		Designation	Wheel connection	storage	execution	Weight kg	Order-number
		Brake hub Ø200 without storage	100x4/M12x1.5	Tapered roller bearings Ø52mm / Ø62mm	standard	6.66	21225-1B02
		Brake hub Ø200 without storage	112x5/M12x1.5	Tapered roller bearings Ø52mm / Ø62mm	standard	6.66	21225-1C02
		Brake hub Ø200 including storage	112x5/M12x1.5	Double-row angular contact ball bearing Ø72mm	standard	7.86	25964C02
		Brake hub Ø200 including storage	112x5/M12x1.5	Double-row angular contact ball bearing Ø72mm	waterproof	8.17	401619C002
		Brake hub Ø200 including storage	140x5/M14x1.5	Double-row angular contact ball bearing Ø72mm	waterproof	8.17	401619N002
		Brake hub Ø200 including storage	140x5/M14x1.5	Double-row angular contact ball bearing Ø72mm	over-the-top	7.88	410184N002
		Brake hub Ø200 including storage	140x5/M14x1.5	Double-row angular contact ball bearing Ø72mm	8 inch	8.00	401326N002
		Brake hub Ø203.2 without storage	100x4/M12x1.5	Tapered roller bearings Ø42mm / Ø59mm	standard	8.40	406156B001
		Brake hub Ø203.2 without storage	112x5/M12x1.5	Tapered roller bearings Ø42mm / Ø59mm	standard	8.10	406156C001
		Brake hub Ø203.2 without storage	139.7x4/M12x1.5	Tapered roller bearings Ø42mm / Ø59mm	standard	8.30	406156K001

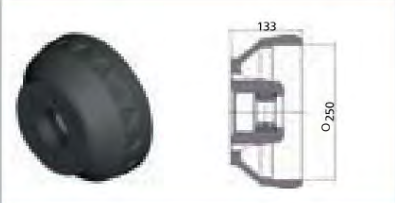
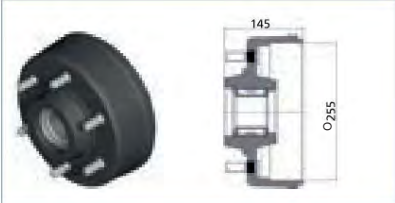
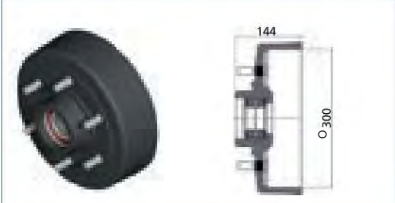




Please refer to the technical information. Subject to change without notice.



## brake hubs

		Designation	Wheel connection	storage	execution	Weight kg	Order-number
		Brake hub Ø250 incl. bearing	112x5/M12x1.5	Double-row angular contact ball bearing Ø72mm	standard	10.50	25655C02
		brake hub Ø250 incl. bearing	112x5/M12x1.5	Double-row angular contact ball bearing Ø72mm	waterproof	10.50	401598C002
		brake hub Ø250 including storage	112x5/M12x1.5	Double-row angular contact ball bearing Ø72mm	over-the-top Flywheel z=60	10.45	407415C002
		Brake hub Ø250 incl. bearing	112x5/M12x1.5	Double-row angular contact ball bearing Ø72mm	over-the-top Flywheel z=40	10,13	401763C002
		brake hub Ø250 incl. bearing	112x5/M12x1.5	Double-row angular contact ball bearing Ø72mm	10 inches	9.83	405714C002
		brake hub Ø250 incl. bearing	140x5/M14x1.5	Double-row angular contact ball bearing Ø72mm	10 inches	9.75	405714N002
		brake hub Ø250 incl. bearing	112x5/M12x1.5	Double-row angular contact ball bearing Ø72mm	10 inches Flywheel z=60	10.40	406321C002
		brake hub Ø250 including storage	112x5/M12x1.5	Double-row angular contact ball bearing Ø72mm	10 inches Flywheel z=34	10.40	405242C002
		Brake hub Ø250 including storage	140x5/M14x1.5	Double-row angular contact ball bearing Ø72mm	10 inches Flywheel z=34	10.56	405242N002
		Brake hub Ø250 without storage	112x5/M12x1.5	Tapered roller bearings Ø52mm / Ø72mm	ET 0	10.85	14304C02
		Brake hub Ø250 without storage	112x5/M12x1.5	Tapered roller bearings Ø52mm / Ø72mm	ET 0	10.85	14304C02
		Brake hub Ø250 including storage	205x6/M18x1.5	Double-row angular contact ball bearing Ø88mm	standard	18.20	412377P002

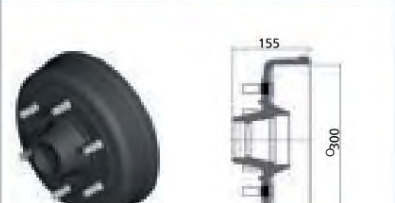




Please refer to the technical information. Subject to change without notice.

	Designation	Wheel connection	storage	execution	Weight kg	Order-number
	Brake hub Ø250 including storage	130x6/M14x1.5	Double-row tapered roller bearing Ø72mm	standard	18.70	414102ZF02
	Brake hub Ø255 including storage	205x6/M18x1.5	Double-row tapered roller bearing Ø90mm	standard	18.90	412249P002
	Brake hub Ø255 including storage	205x6/M18x1.5	Double-row tapered roller bearing Ø90mm	Flywheel z=80	18.90	407446P002
	Brake hub Ø300 including storage	205x6/M18x1.5	Double-row angular contact ball bearing Ø88mm	standard	21.71	25759P02
	Brake hub Ø300 without storage	205x6/M18x1.5	Tapered roller bearings Ø72mm / Ø100mm	standard	19.02	27028P02
	Brake hub Ø300 without storage	205x6/M18x1.5	Tapered roller bearings Ø72mm / Ø100mm	Flat cam Flywheel z=80	19.77	28245P01
	Brake hub Ø300 without storage	205x6/M18x1.5	Tapered roller bearings Ø72mm / Ø100mm	S-cam Flywheel z=80	19.93	403964P002

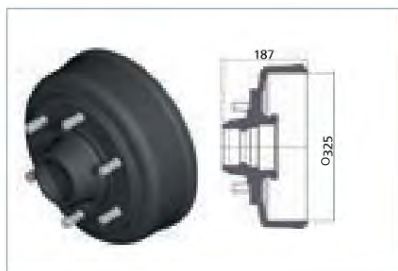
Please refer to the technical information. Subject to change without notice.



## brake hubs

	Designation	Wheel connection	storage	execution	Weight kg	Order-number
	Brake hub Ø300 without storage	205x6/M18x1.5	Tapered roller bearings Ø72mm / Ø100mm	standard	20.00	28863P02
	Brake hub Ø300 without storage	205x6/M18x1.5	Tapered roller bearings Ø72mm / Ø100mm	Flywheel z=80	20.37	29935P02
	Brake hub Ø300 without storage	205x6/M18x1.5	Tapered roller bearings Ø72mm / Ø100mm	standard	20.64	25766P02
	Brake hub Ø300 without storage	205x6/M18x1.5	Tapered roller bearings Ø72mm / Ø100mm	Flywheel z=80	21.30	27665P02
	Brake hub Ø300 without storage	205x6/M18x1.5	Tapered roller bearings Ø72mm / Ø100mm	Flywheel z=80	21.60	13373P01
	Brake hub Ø300 without storage	205x6/M18x1.5	Tapered roller bearings Ø80mm / Ø100mm	standard	22.00	28593P02
	Brake hub Ø300 without storage	205x6/M18x1.5	Tapered roller bearings Ø80mm / Ø100mm	Flywheel z=80 22.50	22.50	408700P002
	Brake hub Ø300 without storage	205x6/M18x1.5	Tapered roller bearings Ø80mm / Ø100mm	standard	26.71	13651P02
	Brake hub Ø300 without storage	205x6/M18x1.5	Tapered roller bearings Ø80mm / Ø100mm	Flywheel z=80	27.35	SK2833

Please refer to the technical information. Subject to change without notice.

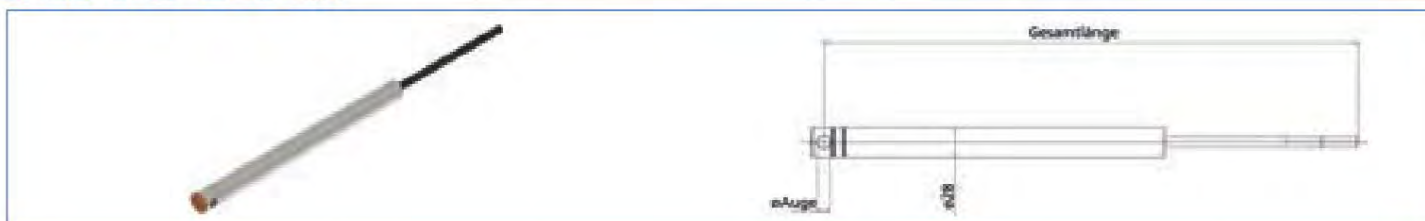


Designation	Wheel connection	storage	execution	Weight kg	Order-number
Brake hub Ø325 without storage	205x6/M18x1.5	Tapered roller bearings Ø80mm / Ø100mm	standard	24.63	405111P002
Brake hub Ø325 without storage	205x6/M18x1.5	Tapered roller bearings Ø80mm / Ø100mm	Flywheel z=80	25.53	404092P002

Please refer to the technical information. Subject to change without notice.

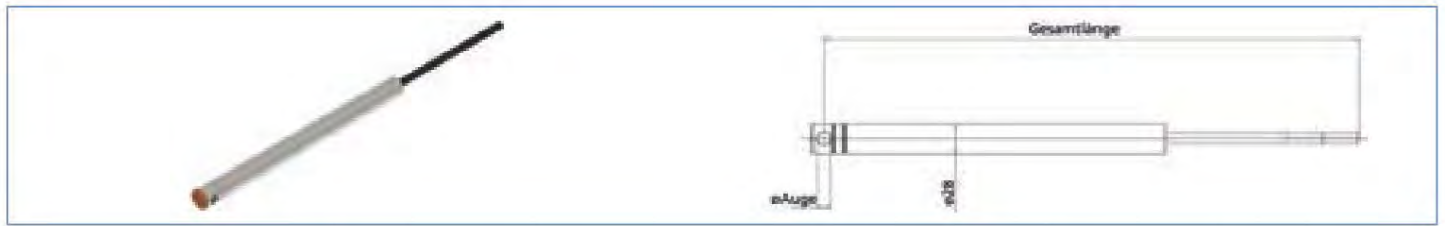


## shock absorbers



Designation	Eye		use	weight range up to kg	Weight kg	Order-number
shock absorbers	Ø12	411	KFL12-D	350	0.77	87100013
shock absorbers	Ø12	534	KF7.5C/KR7.5C/KRV7.5C	750	0.73	87000313
shock absorbers	Ø12	411	KFL12-C, KFL14-C	750	0.77	87100313
shock absorbers	Ø12	534	KR13HV/KR13/82, KHD9	900	0.73	87000513
shock absorbers	Ø12	435	KF9	1000	0.36	87004063
shock absorbers	Ø12	534	KF/KR/KRV/KR-HV/KV-HV/KV13	1400	0.73	87000713
shock absorbers	Ø12	414	KFL12-A and B, KFL14-A and B	1400	0.74	87100713
shock absorbers	Ø12	534	KF17E, KRV17E, KHD15	1700	0.73	87004713
shock absorbers	Ø12	534	KF17-C, KF20, KR17-20	2000	0.76	87001113
shock absorbers	Ø12	504	KFL20-A	2000	0.75	87101113
shock absorbers	Ø12	512	KF20C, KR20C, Ø 24mm	2400	0.46	87001173
shock absorbers	Ø14	666	KF30A, KR30A, KR30HV-A	2600	0.92	87001313
shock absorbers	Ø14	669	KF30C/C1/D, KR30B, KR30HVB	3000	0.89	87001413
shock absorbers	Ø14	534	KF30-C (housing version E)	3000	0.71	87001413K
shock absorbers	Ø12	455	KF35-A1, A2, B1, B2	3500	1.05	87001693
shock absorbers	Ø14	666	KFZ35-D1, KFGL35-F	3500	0.90	87001713
shock absorbers	Ø12	530	KF25A, KFG27, KV20HV-C, KFL20-B	2700	0.73	87003113
shock absorbers	Ø14	530	KF27-B	2700	0.72	8700311314
shock absorbers	Ø14	504	KFL27-A	2700	1.0	8710311314

Please refer to the technical information. Subject to change without notice.



Designation	Eye	Total length mm	use	weight range up to kg	Weight kg	Order-number
shock absorbers	Ø12	589	KHD25/27	2700	0.77	87006613
shock absorbers	Ø14	585	KFG35-C, KRV35-B	3500	0.75	87003513
shock absorbers	Ø14	585	KFG/KR/KHA35, KHD35, KFG45	3500	0.78	87003613
shock absorbers	Ø12	530	KF27A1,A2/KFG30/KR20D8	3000	0.74	87003913
shock absorbers	Ø14	530	KF30-E, KRV30 Ø14	3000	0.72	8700391314
shock absorbers	Ø14	697	KFZ35-E, KFGL35-D	3500	0.94	87004313

Please refer to the technical information. Subject to change without notice.

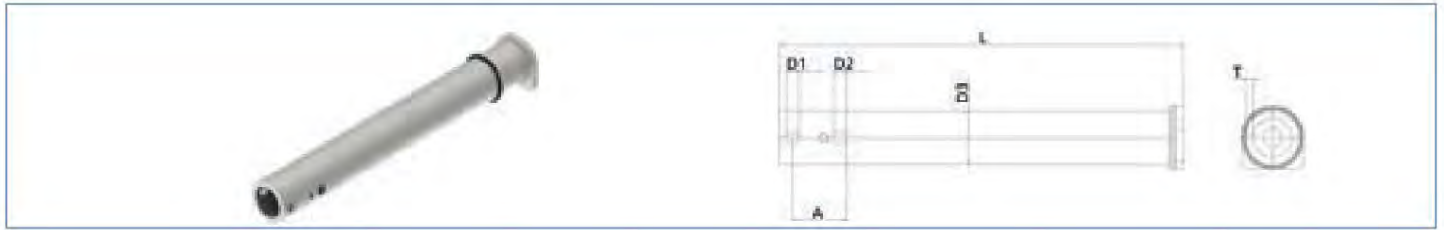


pull rod



Designation	D1	D2	D3	wall thickness T mm	Distance A mm	L (length) mm	screw connection	Weight kg	Order-number
pull rod	Ø12.5	Ø12.5	Ø35.5	5.2	40	360		1.47	200359.001
pull rod	Ø12.5	Ø12.5	Ø45	5	40	399		2.03	205294.001
pull rod	Ø12.5	Ø12.5	Ø45	5	40	348		1.78	206946.001
pull rod	Ø12.5	Ø12.5	Ø45	6	40	399		2.65	98103094
pull rod	Ø12.5	Ø12.5	Ø45	5	40	397		2.10	6J2411.001
pull rod	Ø12.5	Ø12.5	Ø45	5	40	383		2.10	708343.001
pull rod	Ø12.5	Ø12.5	Ø45	6	40	399		2.62	98609494
pull rod	Ø12.5	Ø12.5	Ø45	6	40	399		2.38	726731.001
pull rod	Ø12.5	Ø12.5	Ø45	8	40	399		2.86	98962094
pull rod	Ø14.5	Ø12.5	Ø50	8	40	401		4.02	98857593
pull rod	Ø12.5	Ø12.5	Ø50	6.5	40	401		3.37	98103894
pull rod	Ø14.5	Ø14.5	Ø50	6.5	40	406		3.41	207089.001
pull rod	Ø14.5	Ø14.5	Ø50	8	40	461		2.69	98596283
pull rod	Ø14.5	Ø14.5	Ø50	8	40	401		3.50	202041.001
pull rod	Ø14.5	Ø12.5	Ø50	8	40	401		4.00	98853194
pull rod	Ø12.5	Ø12.5	Ø50	6	40	406		2.75	207276.001
pull rod	Ø12.5	Ø12.5	Ø50	10	40	451	cross	4.25	709156.001

Please refer to the technical information. Subject to change without notice.



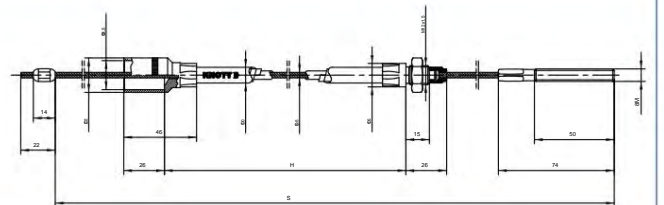
Designation	D1	D2	D3	wall thickness T mm	Distance A mm	L (length) mm	screw connection	Weight kg	Order-number
pull rod	Ø14.5	Ø14.5	Ø60	8	54	460		4.90	203146.001
pull rod	Ø14.5	Ø14.5	Ø60	8	54	500		5.29	205249.001
pull rod	Ø14.5	Ø14.5	Ø60	8	54	473		4.94	706830.001

Please refer to the technical information. Subject to change without notice.



## Cable pulls

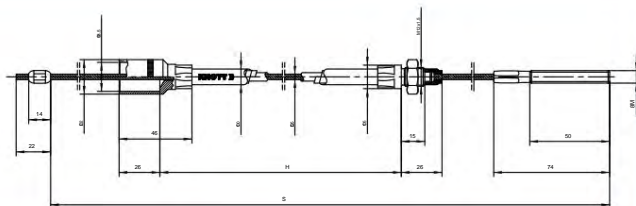
### Standard cable pull



Designation	H (hull length) mm	S (rope length) mm	Weight kg	Order-number
cable pull	730	940	0.34	33921-1.06
cable pull	770	980	0.36	33921-1.20
cable pull	830	1040	0.38	33921-1.07
cable pull	900	1110	0.40	33921-1.08
cable pull	930	1140	0.41	33921-1.09
cable pull	980	1190	0.40	33921-1.10
cable pull	1030	1240	0.45	33921-1.11
cable pull	1090	1300	0.44	33921-1.12
cable pull	1130	1340	0.48	33921-1.13
cable pull	1230	1440	0.50	33921-1.14
cable pull	1330	1540	0.55	33921-1.15
cable pull	1385	1640	0.57	33921-1.19
cable pull	1430	1640	0.58	33921-1.16
cable pull	1530	1740	0.61	33921-1.17
cable pull	1630	1840	0.62	33921-1.18
cable pull	1730	1940	0.67	33921-1.25
cable pull	1830	2040	0.69	33921-1.23
cable pull	2030	2240	0.78	33921-1.24
cable pull	3050	3260	1.15	33921-1.26

Please refer to the technical information. Subject to change without notice.

Stainless steel cable pull



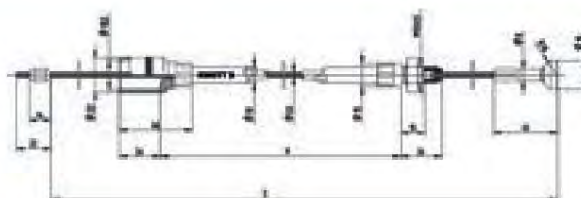
Designation	H (hull length) mm	S (rope length) mm	Weight kg	Order- number
cable pull	430	640	0.24	37086.01
cable pull	530	740	0.28	37086.02
cable pull	630	840	0.38	37086.03
cable pull	730	940	0.38	37086.06
cable pull	830	1040	0.38	37086.07
cable pull	930	1140	0.41	37086.09
cable pull	1030	1240	0.44	37086.11
cable pull	1130	1340	0.46	37086.13
cable pull	1230	1440	0.51	37086.14
cable pull	1330	1540	0.52	37086.15
cable pull	1530	1750	0.58	37086.17
cable pull	1630	1840	0.58	37086.18
cable pull	1640	1430	0.58	37086.16
cable pull	1700	1940	0.66	37086.28
cable pull	1830	2040	0.55	37086.23
cable pull	1930	2140	0.78	37086.35
cable pull	1990	2200	0.58	37086.21
cable pull	2030	2240	0.77	37086.24

Please refer to the technical information. Subject to change without notice.



Cable pulls

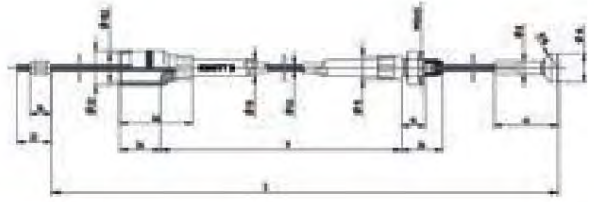
Cable pull for quick assembly



Designation	H (hull length) mm	S (rope length) mm	Weight kg	Order- number
cable pull	430	620	0.35	980202.01
cable pull	530	720	0.35	980202.02
cable pull	630	820	0.35	980202.03
cable pull	650	840	0.35	980202.04
cable pull	680	870	0.35	980202.05
cable pull	730	920	0.35	980202.06
cable pull	830	1020	0.38	980202.07
cable pull	900	1090	0.38	980202.08
cable pull	930	1120	0.38	980202.09
cable pull	1030	1220	0.45	980202.11
cable pull	1090	1280	0.45	980202.12
cable pull	1130	1320	0.50	980202.13
cable pull	1230	1420	0.51	980202.14
cable pull	1330	1520	0.51	980202.15
cable pull	1385	1620	0.57	980202.19
cable pull	1430	1620	0.57	980202.16
cable pull	1530	1720	0.60	980202.17
cable pull	1630	1820	0.60	980202.18

Please refer to the technical information. Subject to change without notice.

**Cable pull for quick assembly**  
Stainless steel



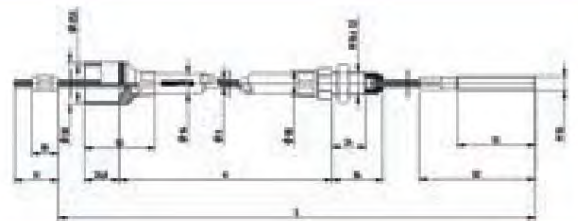
Designation	H (hull length) mm	S (rope length) mm	Weight kg	Order- number
cable pull	630	820	0.38	980207.03
cable pull	730	920	0.38	980207.06
cable pull	820	1020	0.38	980207.07
cable pull	930	1120	0.35	980207.09
cable pull	1030	1220	0.44	980207.11
cable pull	1130	1320	0.44	980207.13
cable pull	1230	1420	0.51	980207.14
cable pull	1330	1520	0.51	980207.15
cable pull	1430	1620	0.57	980207.16
cable pull	1530	1720	0.58	980207.17
cable pull	1630	1820	0.58	980207.18

Please refer to the technical information. Subject to change without notice.



**Cable pulls**

**cable pull**



Designation	H (hull length) mm	S (rope length) mm	Weight kg	Order- number
cable pull	365	600	0.40	33983-1.29
cable pull	500	760	0.57	33983-1.01
cable pull	700	960	0.70	33983-1.02
cable pull	800	1060	0.76	33983-1.03
cable pull	900	1160	0.85	33983-1.04
cable pull	1000	1260	0.91	33983-1.06
cable pull	1100	1360	0.70	33983-1.07
cable pull	1200	1460	1.05	33983-1.08
cable pull	1300	1560	1.09	33983-1.09
cable pull	1400	1660	0.91	33983-1.10
cable pull	1600	1860	1.28	33983-1.12
cable pull	2000	2260	1.31	33983-1.11

Please refer to the technical information. Subject to change without notice.

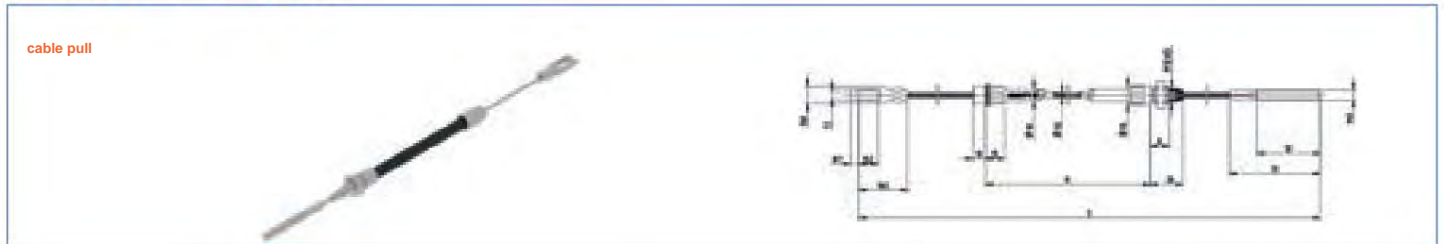


Designation	H (hull length) mm	S (rope length) mm	Weight kg	Order- number
cable pull	700	960	0.68	980145.02
cable pull	800	1060	0.75	980145.03
cable pull	900	1160	0.83	980145.04
cable pull	1000	1260	0.90	980145.06
cable pull	1100	1360	0.94	980145.07
cable pull	1200	1460	1.11	980145.08
cable pull	1300	1560	1.16	980145.09
cable pull	1400	1660	1.17	980145.10
cable pull	1600	1860	1.31	980145.12
cable pull	2000	2260	1.57	980145.11

Please refer to the technical information. Subject to change without notice.



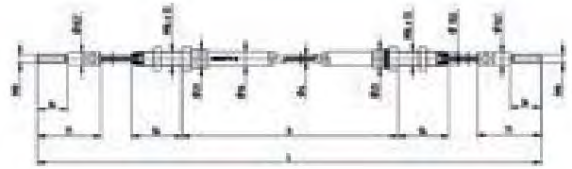
## Cable pulls



Designation	H (hull length) mm	S (rope length) mm	Weight kg	Order- number
cable pull	700	1000	0.33	35006.06
cable pull	769	1025	0.36	35006.07
cable pull	800	1075	0.36	35006.09
cable pull	800	1100	0.37	35006.10
cable pull	889	1145	0.40	35006.11
cable pull	889	1160	0.41	35006.12
cable pull	900	1175	0.40	35006.13
cable pull	900	1200	0.40	35006.14
cable pull	1000	1275	0.44	35006.15
cable pull	1000	1300	0.44	35006.16
cable pull	1009	1265	0.43	35006.18
cable pull	1100	1375	0.47	35006.19
cable pull	1100	1400	0.46	35006.20
cable pull	1129	1385	0.45	35006.21
cable pull	1129	1400	0.48	35006.22
cable pull	1175	1450	0.49	35006.23
cable pull	1200	1500	0.50	35006.24
cable pull	1309	1580	0.55	35006.26

Please refer to the technical information. Subject to change without notice.

cable pull



Designation	H (hull length) mm	S (rope length) mm	Weight kg	Order- number
cable pull	300	670	0.70	980023.15
cable pull	500	870	0.76	980023.16
cable pull	600	970	0.86	980023.21
cable pull	700	1070	0.95	980023.19
cable pull	800	1170	1.02	980023.17
cable pull	900	1270	1.10	980023.14
cable pull	1000	1370	1.21	980023.01
cable pull	1100	1470	1.29	980023.02
cable pull	1200	1570	1.38	980023.03
cable pull	1300	1670	1.46	980023.04
cable pull	1400	1770	1.57	980023.05
cable pull	1500	1870	1.65	980023.06
cable pull	1600	1970	1.75	980023.07
cable pull	2200	2570	2.26	980023.12
cable pull	4025	4350	4.10	980023.11

Please refer to the technical information. Subject to change without notice.



Cable pulls

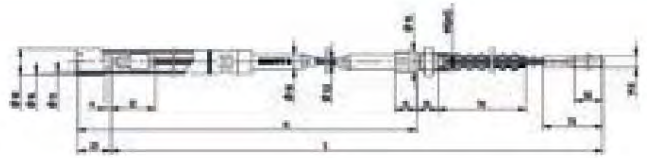
cable pull



Designation	H (hull length) mm	S (rope length) mm	Weight kg	Order- number
cable pull	800	1170	1.60	980000.13
cable pull	900	1270	1.74	980000.12
cable pull	1000	1370	2.36	980000.01
cable pull	1100	1470	1.99	980000.02
cable pull	1200	1570	2.11	980000.03
cable pull	1300	1670	2.38	980000.04
cable pull	1400	1770	2.52	980000.05
cable pull	1500	1870	2.17	980000.06
cable pull	1600	1970	2.70	980000.07
cable pull	2600	2970	4.27	980000.09
cable pull	3000	3370	4.84	980000.20

Please refer to the technical information. Subject to change without notice.

Stainless steel cable pull



Designation	H (hull length) mm	S (rope length) mm	Weight kg	Order- number
cable pull	460	620	0.30	980055.06
cable pull	760	920	0.38	980055.05
cable pull	1150	1310	0.51	980055.02
cable pull	1250	1410	0.54	980055.13
cable pull	1350	1510	0.57	980055.15
cable pull	1550	1710	0.64	980055.10
cable pull	1650	1810	0.66	980055.01
cable pull	1750	1910	0.70	980055.11
cable pull	1850	2010	0.74	980055.12
cable pull	1950	2110	0.77	980055.14
cable pull	2050	2210	0.80	980055.16
cable pull	2250	2410	0.80	980055.03
cable pull	2500	2660	0.93	980055.17
cable pull	2650	2810	1.00	980055.21
cable pull	2800	2960	1.05	980055.18
cable pull	2915	3075	1.07	980055.23
cable pull	3340	3500	1.26	980055.04
cable pull	3840	4000	1.40	980055.30

Please refer to the technical information. Subject to change without notice.



Cable pulls

Stainless steel cable pull

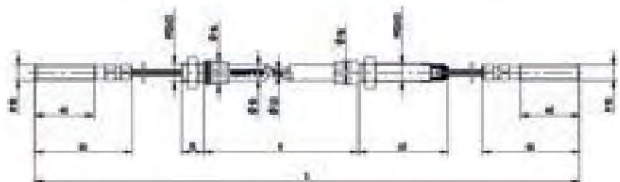


Designation	H (hull length) mm	S (rope length) mm	Weight kg	Order- number
cable pull	700	895	0.94	980161.09
cable pull	1100	1257	1.23	980161.05
cable pull	1555	1712	1.44	980161.01
cable pull	1723	1884	1.61	980161.02
cable pull	2238	2408	1.90	980161.03
cable pull	2800	3030	2.29	980161.12
cable pull	3000	3235	2.44	980161.18
cable pull	3025	3180	2.45	980161.20
cable pull	3720	3380	2.55	980161.22
cable pull	3800	4030	2.81	980161.13
cable pull	4300	4500	3.00	980161.14
cable pull	4490	4650	3.10	980161.23

Please refer to the technical information. Subject to change without notice.



**cable pull**



Designation	H (hull length) mm	S (rope length) mm	Weight kg	Order- number
cable pull	590	875	0.33	980155.04
cable pull	670	990	0.37	980155.09
cable pull	720	1045	0.38	980155.03
cable pull	720	1150	0.39	980155.02
cable pull	800	1100	0.40	980155.08
cable pull	870	1150	0.43	980155.05
cable pull	910	1255	0.41	980155.07
cable pull	930	1255	0.42	980155.06
cable pull	930	1285	0.46	980155.01

Please refer to the technical information. Subject to change without notice.



**Cable pulls**

**Cable pull with reinforced sheath**



Designation	H (hull length) mm	S (rope length) mm	Weight kg	Order- number
cable pull	1000	1370	1.30	980184.01
cable pull	1100	1470	1.32	980184.02
cable pull	1200	1570	1.33	980184.03
cable pull	1300	1670	1.44	980184.04
cable pull	1400	1770	1.35	980184.05
cable pull	1500	1870	1.37	980184.06
cable pull	1600	1970	1.40	980184.07
cable pull	1700	2070	1.46	980184.08
cable pull	1800	2170	1.49	980184.13
cable pull	2600	2970	1.60	980184.09

Please refer to the technical information. Subject to change without notice.

Please refer to the technical information. Subject to change without notice.

202



Notes



Please refer to the technical information. Subject to change without notice.



Please refer to the technical information. Subject to change without notice.



Please refer to the technical information. Subject to change without notice.



Please refer to the technical information. Subject to change without notice.



Please refer to the technical information. Subject to change without notice.



Please refer to the technical information. Subject to change without notice.



Original KNOTT spare parts.  
Sophisticated. Down to the last detail.



Knott GmbH • Regenstauf Plant  
Gutenbergstrasse 21  
93128 Regenstauf  
Germany

Tel.: +49 9402 9317-0  
Fax: +49 9402 9317-20

info@knott.de  
www.knott.de